



# 700 MHz to 1000 MHz GaAs Matched RF PA Predriver

## ADL5322

### FEATURES

Internally matched to 50  $\Omega$  input and output

Internally biased

Operating frequency: 700 MHz to 1000 MHz

Gain: 20 dB

OIP3: 45 dBm

P1 dB: 27 dBm

Noise figure: 5 dB

3 mm  $\times$  3 mm LFCSP

Power supply: 5 V

### APPLICATIONS

CDMA2000, WCDMA, and GSM base station transceivers and high power amplifiers

### GENERAL DESCRIPTION

The ADL5322 is a high linearity GaAs driver amplifier that is internally matched to 50  $\Omega$  for operation in the 700 MHz to 1000 MHz frequency range. The amplifier, which has a gain of 20 dB, is specially designed for use in the output stage of a cellular base station radio or as an input preamplifier in a multicarrier base station power amplifier. Matching and biasing are all on-chip. The ADL5322 is available in a Pb-free, 3mm  $\times$  3 mm, 8-lead LFCSP package with an operating temperature from  $-40^{\circ}\text{C}$  to  $+85^{\circ}\text{C}$ .

### FUNCTIONAL BLOCK DIAGRAM

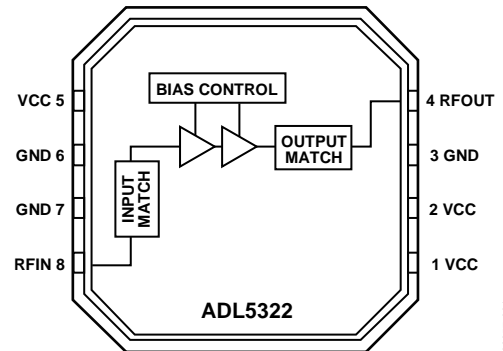


Figure 1.

06057-001

#### Rev. 0

Information furnished by Analog Devices is believed to be accurate and reliable. However, no responsibility is assumed by Analog Devices for its use, nor for any infringements of patents or other rights of third parties that may result from its use. Specifications subject to change without notice. No license is granted by implication or otherwise under any patent or patent rights of Analog Devices. Trademarks and registered trademarks are the property of their respective owners.

## TABLE OF CONTENTS

Features .....	1	Pin Configuration and Function Descriptions.....	5
Applications.....	1	Typical Performance Characteristics .....	6
Functional Block Diagram .....	1	Basic Connections .....	8
General Description .....	1	CDMA2000 Driving Application.....	8
Revision History .....	2	Evaluation Board .....	10
Specifications.....	3	Outline Dimensions .....	11
Absolute Maximum Ratings.....	4	Ordering Guide .....	11
ESD Caution.....	4		

## REVISION HISTORY

7/06—Revision 0: Initial Version

## SPECIFICATIONS

$V_{CC} = 5\text{ V}$ ,  $T_A = 25^\circ\text{C}$ .

**Table 1.**

Parameter	Conditions	Min	Typ	Max	Unit
FREQUENCY RANGE		700		1000	MHz
GAIN	Frequency = 850 MHz	19	20.3	21.4	dB
vs. Frequency	832 MHz to 870 MHz		$\pm 0.125$		dB
vs. Temperature	$-40^\circ\text{C}$ to $+85^\circ\text{C}$		$\pm 1$		dB
vs. Voltage	5 V, @ 5% (4.75 V to 5.25 V)		$\pm 0.1$		dB
vs. Frequency	Frequency = 900 MHz	18.6	19.9	21.1	dB
vs. Temperature	869 MHz to 894 MHz		$\pm 0.125$		dB
vs. Temperature	$-40^\circ\text{C}$ to $+85^\circ\text{C}$		$\pm 1$		dB
vs. Voltage	5 V, @ 5% (4.75 V to 5.25 V)		$\pm 0.1$		dB
vs. Frequency	Frequency = 950 MHz	18.3	19.6	20.8	dB
vs. Temperature	925 MHz to 960 MHz		$\pm 0.125$		dB
vs. Temperature	$-40^\circ\text{C}$ to $+85^\circ\text{C}$		$\pm 1.1$		dB
vs. Voltage	5 V, @ 5% (4.75 V to 5.25 V)		$\pm 0.1$		dB
P1 dB	Frequency = 850 MHz	27.0	27.7		dBm
vs. Frequency	832 MHz to 870 MHz		$\pm 0.1$		dBm
vs. Temperature	$-40^\circ\text{C}$ to $+85^\circ\text{C}$		$\pm 1$		dBm
vs. Voltage	5 V, @ 5% (4.75 V to 5.25 V)		$\pm 0.3$		dBm
vs. Frequency	Frequency = 900 MHz	27.3	27.9		dBm
vs. Frequency	869 MHz to 894 MHz		$\pm 0.1$		dBm
vs. Temperature	$-40^\circ\text{C}$ to $+85^\circ\text{C}$		$\pm 1$		dBm
vs. Voltage	5 V, @ 5% (4.75 V to 5.25 V)		$\pm 0.4$		dBm
vs. Frequency	Frequency = 950 MHz	26.7	27.5		dBm
vs. Frequency	925 MHz to 960 MHz		$\pm 0.2$		dBm
vs. Temperature	$-40^\circ\text{C}$ to $+85^\circ\text{C}$		$\pm 1$		dBm
vs. Voltage	5 V, @ 5% (4.75 V to 5.25 V)		$\pm 0.4$		dBm
NOISE FIGURE	Frequency = 830 MHz to 960 MHz		5		dB
INPUT RETURN LOSS	Frequency = 830 MHz to 960 MHz		-10		dB
OUTPUT RETURN LOSS	Frequency = 830 MHz to 960 MHz		-10		dB
OIP3	Carrier spacing = 1 MHz, $P_{OUT} = 5\text{ dBm}$ per carrier				
vs. Frequency	Frequency = 850 MHz		44.8		dBm
vs. Frequency	832 MHz to 870 MHz		$\pm 0.25$		dBm
vs. Temperature	$-40^\circ\text{C}$ to $+85^\circ\text{C}$		$\pm 3.0$		dBm
vs. Voltage	5 V, @ 5% (4.75 V to 5.25 V)		$\pm 0.5$		dBm
vs. Frequency	Frequency = 900 MHz		45.3		dBm
vs. Frequency	869 MHz to 894 MHz		$\pm 0.25$		dBm
vs. Temperature	$-40^\circ\text{C}$ to $+85^\circ\text{C}$		$\pm 2.7$		dBm
vs. Voltage	5 V, @ 5% (4.75 V to 5.25 V)		$\pm 0.8$		dBm
vs. Frequency	Frequency = 950 MHz		44.4		dBm
vs. Frequency	925 MHz to 960 MHz		$\pm 0.25$		dBm
vs. Temperature	$-40^\circ\text{C}$ to $+85^\circ\text{C}$		$\pm 2.2$		dBm
vs. Voltage	5 V, @ 5% (4.75 V to 5.25 V)		$\pm 0.8$		dBm
POWER SUPPLY					
Supply Voltage		4.75	5	5.25	V
Supply Current	$P_{OUT} = 5\text{ dBm}$		320		mA
Operating Temperature		-40		+85	$^\circ\text{C}$

## ABSOLUTE MAXIMUM RATINGS

Table 2.

Parameter	Rating
Supply Voltage, VPOS	6 V
Input Power (re: 50 $\Omega$ )	18 dBm
Equivalent Voltage	1.8 V rms
$\theta_{jc}$ (Soldered)	28.5°C/W
Maximum Junction Temperature	150°C
Operating Temperature Range	-40°C to +85°C
Storage Temperature Range	-65°C to +150°C
Soldering Temperature	260°C

Stresses above those listed under Absolute Maximum Ratings may cause permanent damage to the device. This is a stress rating only; functional operation of the device at these or any other conditions above those indicated in the operational section of this specification is not implied. Exposure to absolute maximum rating conditions for extended periods may affect device reliability.

### ESD CAUTION

ESD (electrostatic discharge) sensitive device. Electrostatic charges as high as 4000 V readily accumulate on the human body and test equipment and can discharge without detection. Although this product features proprietary ESD protection circuitry, permanent damage may occur on devices subjected to high energy electrostatic discharges. Therefore, proper ESD precautions are recommended to avoid performance degradation or loss of functionality.



## PIN CONFIGURATION AND FUNCTION DESCRIPTIONS

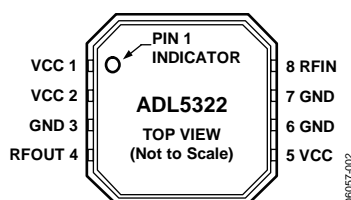


Figure 2. Pin Configuration

Table 3. Pin Function Descriptions

Pin No.	Mnemonic	Description
1, 2, 5	VCC	Positive 5 V Supply Voltage. Bypass these three pins with independent power supply decoupling networks (100 pF, 10 nF, and 10 $\mu$ F).
3, 6, 7	GND	Device Ground.
4	RFOUT	RF Output. Internally matched to 50 $\Omega$ .
8	RFIN	RF Input. Internally matched to 50 $\Omega$ .
N/A	EP	Exposed Paddle. Connect to ground plane via a low impedance path.

Table 4. S-Parameters

Frequency	ADL5322 (1, 1)	ADL5322 (1, 2)	ADL5322 (2, 1)	ADL5322 (2, 2)
700.0 MHz	0.210/109.457	0.002/97.018	+11.221/-158.622	0.436/150.470
720.0 MHz	0.195/104.437	0.002/93.284	+11.108/-166.579	0.392/145.211
740.0 MHz	0.179/99.101	0.002/87.856	+11.013/-174.596	0.345/137.443
760.0 MHz	0.165/93.363	0.002/86.137	10.931/177.282	0.295/133.051
780.0 MHz	0.151/86.953	0.002/78.668	10.856/169.006	0.242/125.612
800.0 MHz	0.138/79.928	0.002/74.072	10.781/160.613	0.187/116.434
820.0 MHz	0.125/71.950	0.002/68.940	10.698/152.065	0.130/102.897
840.0 MHz	0.114/62.829	0.002/62.269	10.605/143.342	0.079/76.154
860.0 MHz	0.103/52.162	0.002/56.742	10.493/134.489	0.061/18.090
880.0 MHz	0.095/39.531	0.002/56.696	10.361/125.433	+0.098/-26.962
900.0 MHz	0.090/24.952	0.003/43.549	10.210/116.239	+0.153/-46.741
920.0 MHz	0.088/9.188	0.003/37.254	10.033/106.889	+0.211/-58.300
940.0 MHz	+0.090/-7.350	0.003/29.904	9.837/97.326	+0.269/-66.606
960.0 MHz	+0.095/-23.642	0.003/24.334	9.614/87.600	+0.324/-73.265
980.0 MHz	+0.104/-39.131	0.003/16.521	9.364/77.609	+0.376/-78.914
1.000 GHz	+0.115/-53.477	0.003/8.139	9.081/67.342	+0.424/-83.911

## TYPICAL PERFORMANCE CHARACTERISTICS

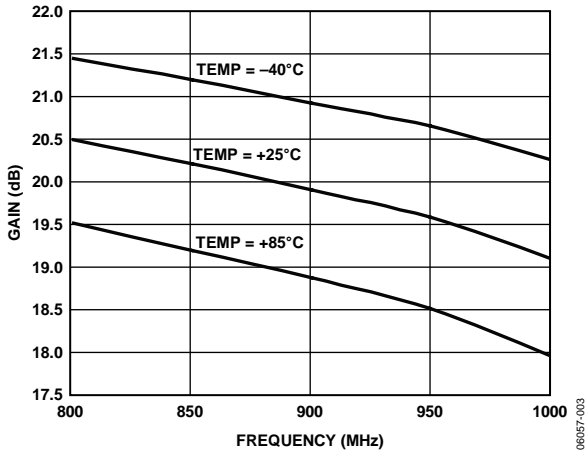


Figure 3. Gain vs. Frequency,  $V_{CC} = 5V$ ,  $T_A = -40^\circ C, +25^\circ C,$  and  $+85^\circ C$

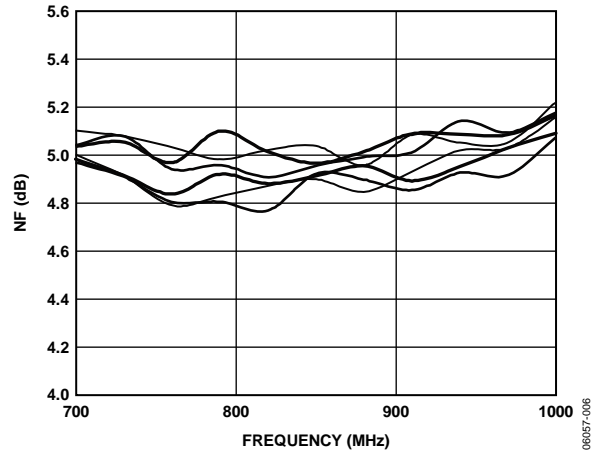


Figure 6. Noise Figure vs. Frequency, Multiple Devices,  $V_S = 5V$ ,  $T_A = 25^\circ C$

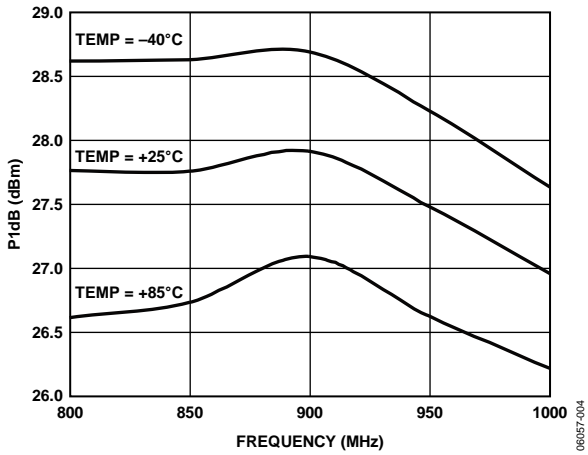


Figure 4. P1 dB vs. Frequency,  $V_{CC} = 5V$ ,  $T_A = -40^\circ C, +25^\circ C,$  and  $+85^\circ C$

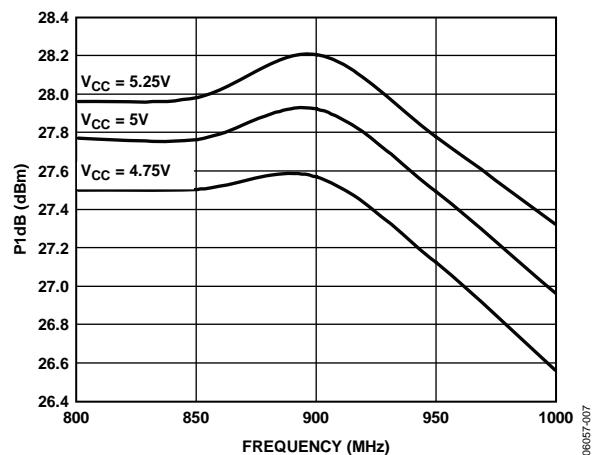


Figure 7. P1 dB vs. Frequency,  $V_{CC} = 4.75V, 5V,$  and  $5.25V$ ,  $T_A = 25^\circ C$

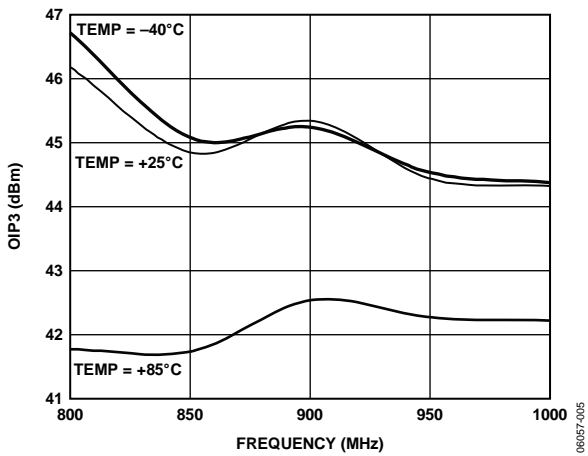


Figure 5. OIP3 vs. Frequency,  $V_{CC} = 5V$ ,  $T_A = -40^\circ C, +25^\circ C,$  and  $+85^\circ C$

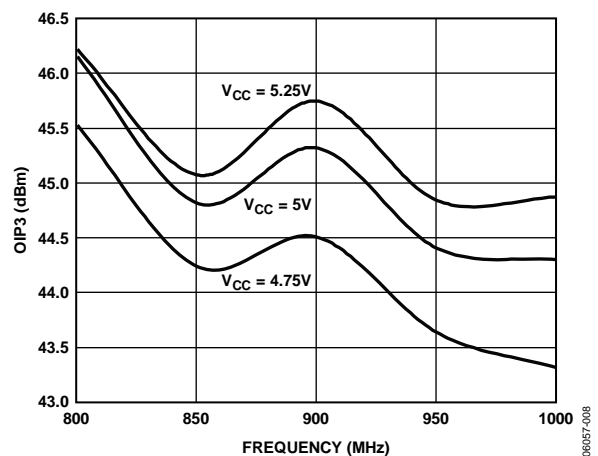


Figure 8. OIP3 vs. Frequency,  $V_{CC} = 4.75V, 5V,$  and  $5.25V$ ,  $T_A = 25^\circ C$

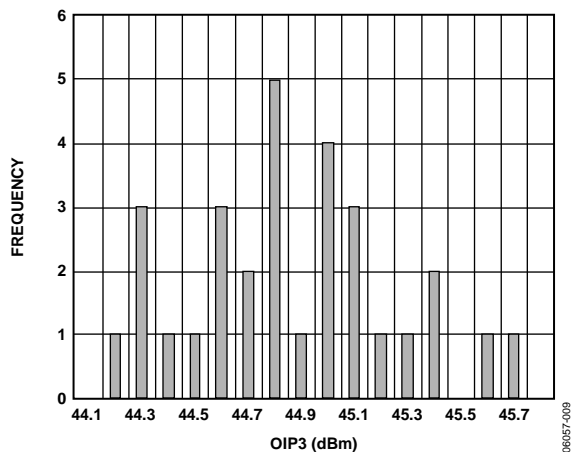


Figure 9. Distribution of OIP3 at 850 MHz

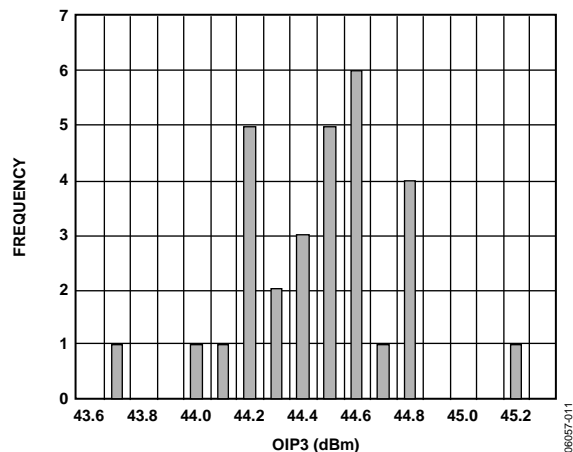


Figure 11. Distribution of OIP3 at 950 MHz

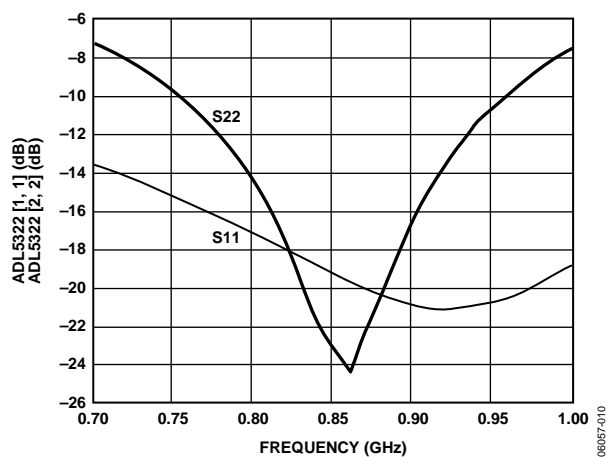


Figure 10. Input S11 and Output S22 Return Loss vs. Frequency

## BASIC CONNECTIONS

Figure 14 shows the basic connections for operating the ADL5322. Each of the three power supply lines should be decoupled with 10  $\mu$ F, 10 nF, and 100 pF capacitors. Pin 3, Pin 6, Pin 7, and the exposed paddle under the device should all be connected to a low impedance ground plane. If multiple ground planes are being used, these should be stitched together with vias under the device to optimize thermal conduction. See recommended land pattern in Figure 12.

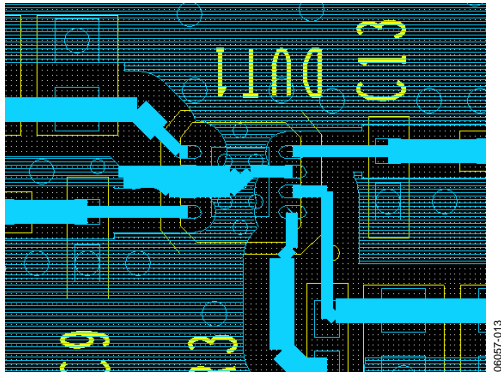


Figure 12. Recommended Land Pattern

## CDMA2000 DRIVING APPLICATION

Figure 13 shows a plot of the spectrum of an ADL5323 driving at 4-carrier CDMA2000 signal at 0 dBm per carrier (total carrier power = 6 dBm), centered at 880 MHz. At 750 kHz and 1.98 MHz offset, adjacent channel power ratios of  $-59$  dBc and  $-84$  dBc (measured in 30 kHz with respect to the 1.22 MHz carrier) are observed. At 4 MHz carrier offset,  $-73$  dBc is measured in a 1 MHz bandwidth ( $-133$  dBm/Hz). Note that the spectrum of the four carriers is slightly rounded due the frequency response of the cavity-tuned filter that was used to filter out the noise and distortion of the source signal.

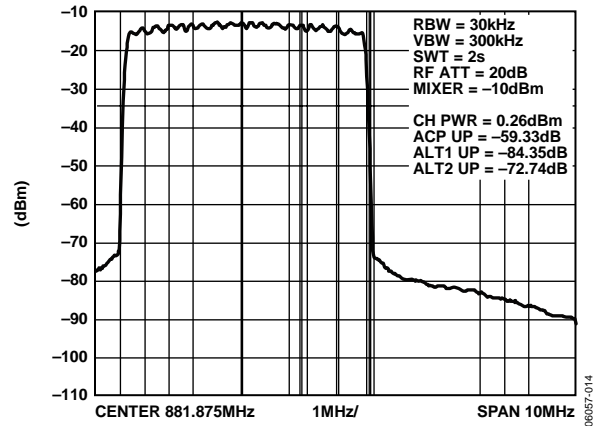


Figure 13. Spectrum of 4 Adjacent CDMA2000 Carriers Centered at 880 MHz; Total Carrier Power = 6 dBm (0 dBm per Carrier)

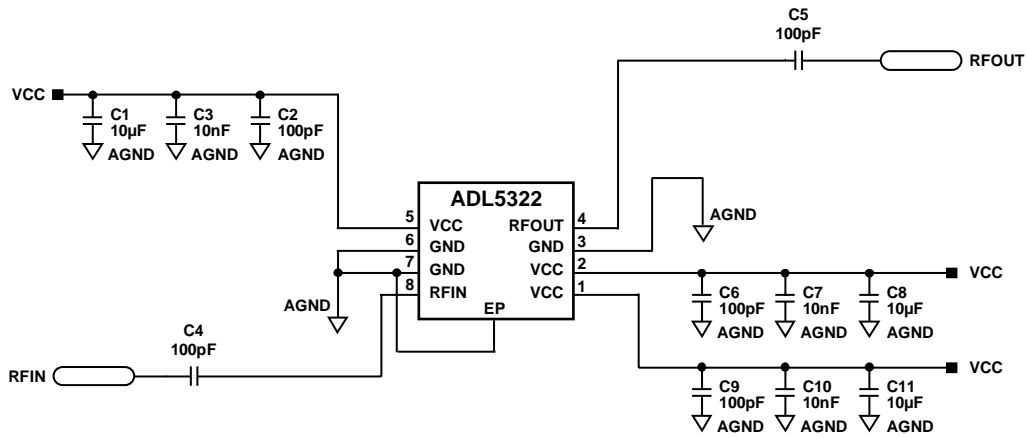


Figure 14. Basic Connections



Figure 15 shows how ACP varies with output power level. The close-in ACP is a function of the signal coding and is unaffected by output headroom at these power levels. The ACP measured at 1.98 MHz carrier offset is -72 dBc at 10 dBm output power (12 dB below the required 60 dBc). At 4 MHz carrier offset, the noise and distortion measured in a 1 MHz bandwidth is -75 dBm at 6 dBm (total) output power (0 dBm per carrier). In a 50 dBm transmitter, this corresponds to an antenna-referred output power of -31 dBm (1 MHz), which is 18 dB below what is required by the CDMA2000 standard.

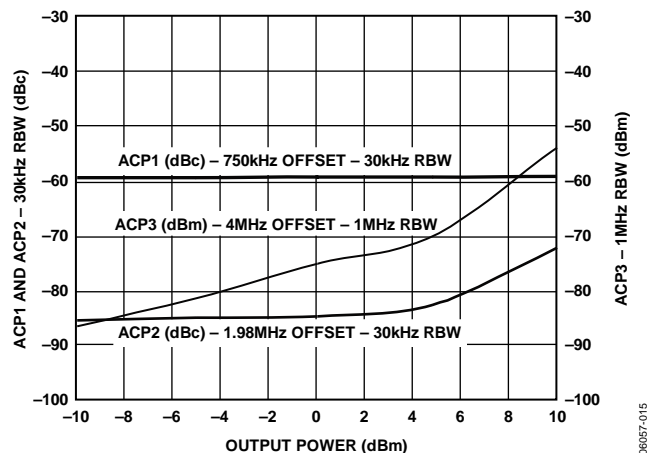


Figure 15. CDMA2000 ACP vs. Output Power per Carrier; 4 Adjacent Carriers

# ADL5322

## EVALUATION BOARD

Figure 17 shows the schematic of the ADL5322 evaluation board. The board is powered by a single supply in the 4.75 V to 5.25 V range. The power supply is decoupled on each of the three power supply pins by 10  $\mu$ F, 10 nF, and 100 pF capacitors. See Table 5 for exact evaluation board component values. Note that all three VCC pins (Pin 1, Pin 2, and Pin 5) should be independently bypassed as shown in Figure 17 for proper operation.

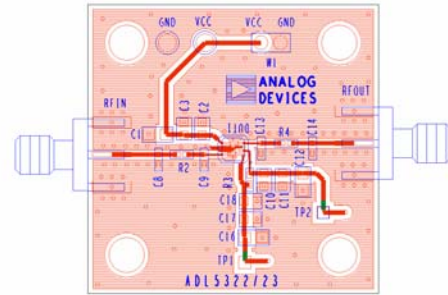


Figure 16. Evaluation Board Component Side View

Table 5. Evaluation Board Components

Component	Function	Default Value
DUT1	Driver amplifier	ADL5322
C1, C12, C16	Low frequency bypass capacitors	10 $\mu$ F, 0603
C3, C11, C17	Low frequency bypass capacitors	10 nF, 0402
C2, C10, C18	High frequency bypass capacitors	100 pF, 0402
C8, C9, C13, C14, R3	Open	Open, 0402
R2, R4	AC coupling capacitors	100 pF, 0402

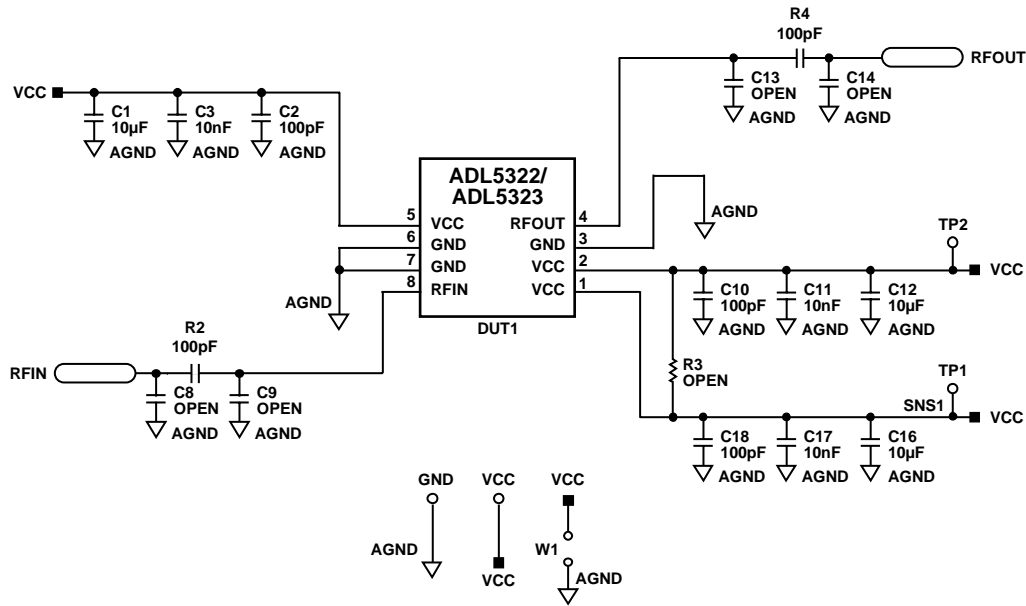


Figure 17. Evaluation Board Schematic

# OUTLINE DIMENSIONS

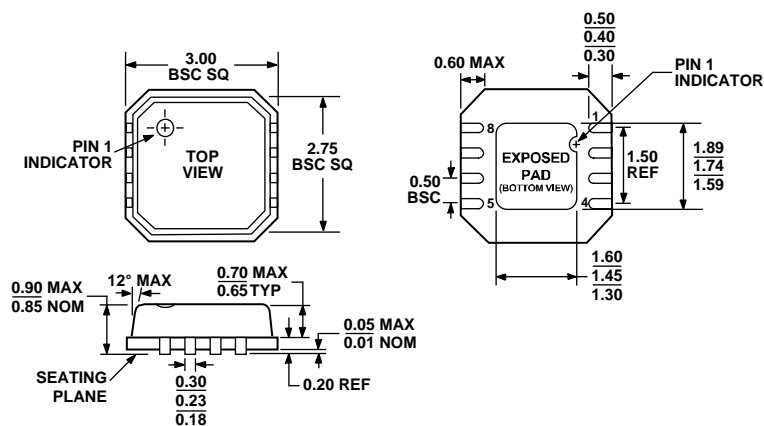


Figure 18. 8-Lead Lead Frame Chip Scale Package [LFCSP\_VD]  
 3 mm × 3 mm Body, Very Thin, Dual Lead  
 (CP-8-2)  
 Dimensions shown in millimeters

## ORDERING GUIDE

Model	Temperature Range	Package Description	Package Option	Branding	Ordering Quantity
ADL5322ACPZ-R7 <sup>1</sup>	-40°C to +85°C	8-Lead LFCSP_VD, 7" Tape and Reel	CP-8-2	OP	1500
ADL5322ACPZ-WP <sup>1</sup>	-40°C to +85°C	8-Lead LFCSP_VD, Waffle Pack	CP-8-2	OP	50
ADL5322-EVAL		Evaluation Board			1

<sup>1</sup> Z = Pb-free part.

Вы скачали этот файл с сайта «Сайт радиолюбителей»



## Другие разделы сайта

### Раздел БИБЛИОТЕКА

Книги для и журналы радиолюбителям

<http://radio-uchebnik.ru/library/>

### Раздел РАДИОСХЕМЫ

Различные схемы как для начинающих так и для профессионалов:

Схемы бытовой техники, телевизоров, мониторов, автомагнитол, музыкальных центров, и для самостоятельной сборки

<http://radio-uchebnik.ru/shem/>

### Раздел ФАЙЛОВОЕ ХРАНИЛИЩЕ

Различные файлы: Даташиты, схемы, прошивки и так далее

<http://radio-uchebnik.ru/downfiles/>

### Раздел РАДИОКОМПАС

Если Вы занимаетесь ремонтом электроники на профессиональном уровне- то Вы можете сообщить о себе.

<http://radio-uchebnik.ru/radiomap/>

### Раздел ДОСКА ОБЪЯВЛЕНИЙ

Здесь Вы можете разместить бесплатное объявление сроком до 120 дней (только радиотематика!!)

<http://radio-uchebnik.ru/ads/>

### Раздел СПРАВОЧНИК ПО МИКРОСХЕМАМ

Справочные данные на микросхемы импортного и отечественного производства

<http://radio-uchebnik.ru/microbase/>

### Раздел СТАТЬИ

Различные статьи радиолюбительской (и не только) тематики: секреты телемастера, практическая электроника, альтернативная энергия, расчеты по электронике, электронные устройства и так далее

<http://radio-uchebnik.ru/txt/>

### ФОРУМ НАШЕГО САЙТА

<http://radio-uchebnik.ru/forum/>