



FEATURES

- Ideal for DDR-I, DDR-II and DDR-III V_{TT} Applications
- Sink and Source 2A Continuous Current
- Integrated Power MOSFETs
- Generates Termination Voltage for SSTL_2, SSTL_18, HSTL, SCSI-2 and SCSI-3 Interfaces.
- High Accuracy Output Voltage at Full-Load
- Output Adjustment by Two External Resistors
- Low External Component Count
- Shutdown for Suspend to RAM (STR) Functionality with High-Impedance Output
- Current Limiting Protection
- On-Chip Thermal Protection
- Available in ESOP-8 (Exposed Pad) Packages
- V_{IN} and V_{CNTL} No Power Sequence Issue
- RoHS Compliant and 100% Lead (Pb)-Free

APPLICATION

- Desktop PCs, Notebooks, and Workstations
- Graphics Card Memory Termination
- Set Top Boxes, Digital TVs, Printers
- Embedded Systems
- Active Termination Buses
- DDR-I, DDR-II and DDR-III Memory Systems

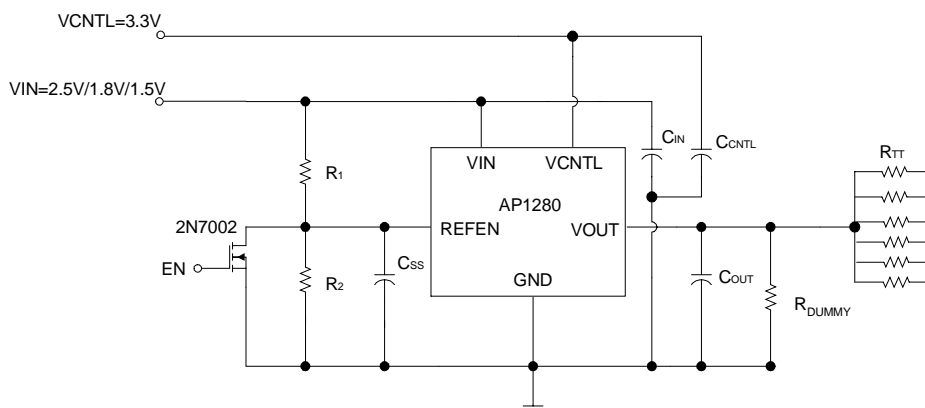
DESCRIPTION

The AP1280MP is a simple, cost-effective and high-speed linear regulator designed to generate termination voltage in double data rate (DDR) memory system to comply with the JEDEC SSTL_2 and SSTL_18 or other specific interfaces such as HSTL, SCSI-2 and SCSI-3 etc. devices requirements. The regulator is capable of actively sinking or sourcing up to 2A while regulating an output voltage to within 40mV. The output termination voltage can be tightly regulated to track $1/2V_{DDQ}$ by two external voltage divider resistors or the desired output voltage can be programmed by externally forcing the REFEN pin voltage.

The AP1280MP also incorporates a high-speed differential amplifier to provide ultra-fast response in line/load transient. Other features include extremely low initial offset voltage, excellent load regulation, current limiting in bi-directions and on-chip thermal shut-down protection.

The AP1280MP are available in the ESOP-8 (Exposed Pad) surface mount packages.

TYPICAL APPLICATION



$$R_1 = R_2 = 100K\Omega, R_{TT} = 50\Omega / 33\Omega / 25\Omega$$

$$C_{OUT,min} = 10\mu F \text{ (Ceramic)} + 100\mu F \text{ under the worst case testing condition}$$

$$C_{SS} = 1\mu F, C_{IN} = 470\mu F \text{ (Low ESR)}, C_{CNTL} = 47\mu F$$

ABSOLUTE MAXIMUM RATINGS^(Note1)

Input Voltage (V _{IN})	6V
CNTL Pin Voltage (V _{CNTL})	6V
Power Dissipation (P _D)	Internally Limited
Storage Temperature Range (T _{ST})	-65 to +150°C
Lead Temperature (Soldering, 10sec.)	260°C
Thermal Resistance from Junction to Case (R _{thjc})	28°C/W

Note1 : Exceeding the absolute maximum rating may damage the device.

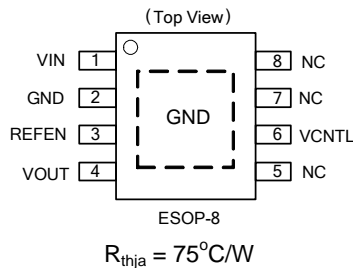
OPERATING RATING^(Note2)

Input Voltage (V _{IN})	2.5V to 1.5V ±3%
CNTL Pin Voltage (V _{CNTL})	5.5V or 3.3V ±5%
Junction Temperature Range (T _J)	-40 to +125°C
Ambient Temperature Range (T _A)	-40 to +85°C

Note2 : The device is not guaranteed to function outside its operating conditions.

ORDERING / PACKAGE INFORMATION

AP1280X-HF
 Halogen-Free
 MP : ESOP-8



ELECTRICAL SPECIFICATIONS

(V_{IN}=1.8V, V_{CNTL}=3.3V, V_{REFEN}=0.9V, C_{OUT}=10uF(Ceramic), T_A=25°C, unless otherwise specified)

Parameter	SYM	TEST CONDITION	MIN	TYP	MAX	UNITS
Input						
VCNTL Operation Current	I _{CNTL}	I _{OUT} = 0A	-	1	2.5	mA
Standby Current	I _{STBY}	V _{REFEN} < 0.2V (Shutdown), R _{LOAD} = 180Ω	-	50	90	uA
Output (DDR / DDRII / DDRIII)						
Output Offset Voltage ^(Note3)	V _{OS}	I _{OUT} = 0A	-20	-	20	mV
Load Regulation ^(Note4)	ΔV _{Load}	I _{OUT} = 10mA ~ 2A	-20	-	20	
		I _{OUT} = -10mA ~ -2A	-20	-	20	
Protection						
Current Limit	I _{LIM}		2.2	-	-	A
Thermal Shutdown Temperature	T _{SD}	3.3V ≤ VCNTL ≤ 5V	130	160	-	°C
Thermal Shutdown Hysteresis	ΔT _{SD}	3.3V ≤ VCNTL ≤ 5V	-	30	-	
REFEN Shutdown						
Shutdown Threshold	V _{IH}	Enable	0.65	-	-	V
	V _{IL}	Shutdown	-	-	0.2	

Note3. V_{OS} offset is the voltage measurement defined as V_{OUT} subtracted from V_{REFEN}.

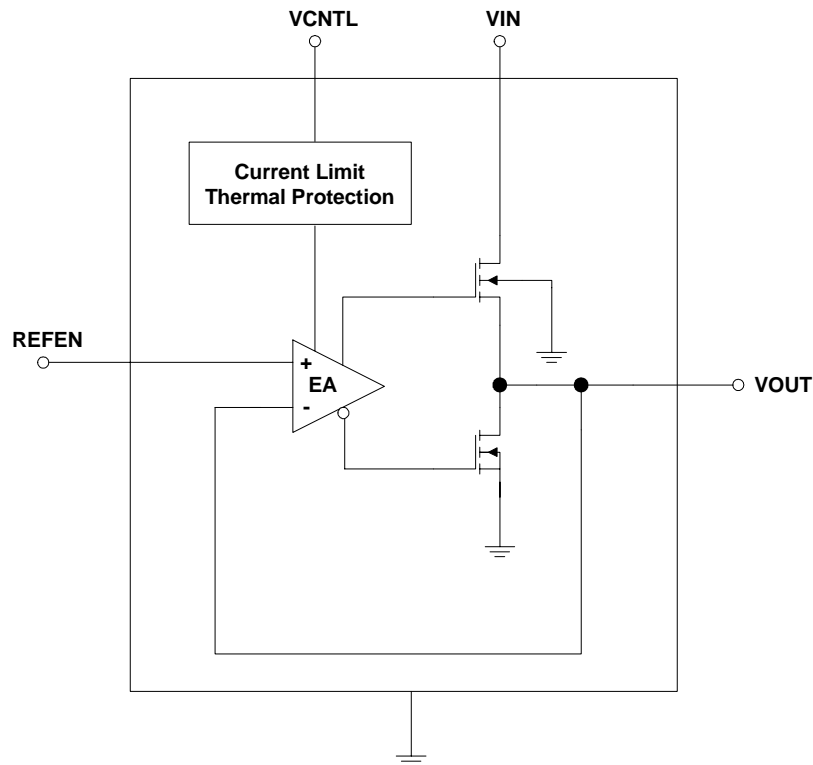
Note4. Regulation is measured at constant junction temperature by using a 5ms current pulse. Devices are tested for load regulation in the load range from 0A to 2A.



PIN DESCRIPTIONS

PIN SYMBOL	PIN DESCRIPTION
V_{IN}	Power Input Voltage.
GND	Ground Pin
V_{OUT}	Output Voltage
V_{CNTL}	Gate Drive Voltage
REFEN	Reference Voltage Input and Chip Enable

BLOCK DIAGRAM



APPLICATION INFORMATION

Input Capacitor and Layout Consideration

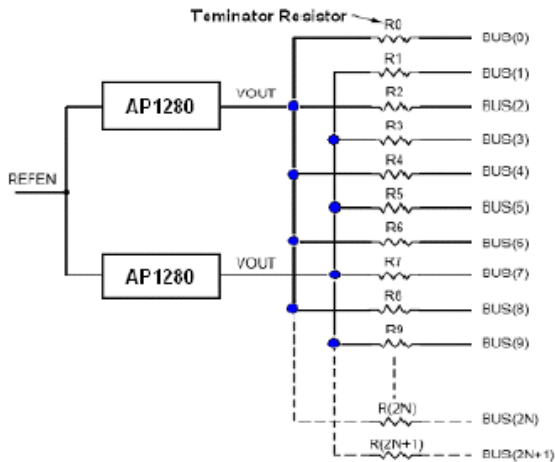
Place the input bypass capacitor as close as possible to the AP1280MP. A low ESR capacitor larger than 470uF is recommended for the input capacitor. Use short and wide traces to minimize parasitic resistance and inductance.

Inappropriate layout may result in large parasitic inductance and cause undesired oscillation between AP1280MP and the preceding power converter.



Consideration while designs the resistance of voltage divider

Make sure the sinking current capability of pull-down NMOS if the lower resistance was chosen so that the voltage on V_{REFEN} is below 0.2V. In addition, the capacitor and voltage divider form the lowpass filter. There are two reasons doing this design; one is for output voltage soft-start while another is for noise immunity.



Thermal Consideration

AP1280MP regulators have internal thermal limiting circuitry designed to protect the device during overload conditions. For continued operation, do not exceed maximum operation junction temperature 125°C. The power dissipation definition in device is:

$$P_D = (V_{IN} - V_{OUT}) \times I_{OUT} + V_{IN} \times I_Q$$

The maximum power dissipation depends on the thermal resistance of IC package, PCB layout, the rate of surroundings airflow and temperature difference between junction to ambient. The maximum power dissipation can be calculated by following formula:

$$P_{D(MAX)} = (T_{J(MAX)} - T_A) / R_{thja}$$

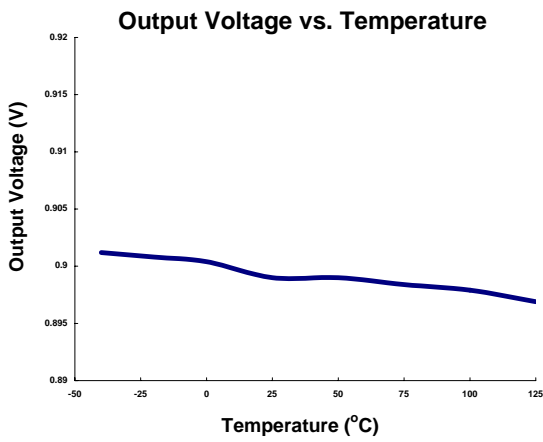
Where $T_{J(MAX)}$ is the maximum operation junction temperature 125°C, T_A is the ambient temperature and the R_{thja} is the junction to ambient thermal resistance. The junction to ambient thermal resistance (R_{thja} is layout dependent) for ESOP-8 package (Exposed Pad) is 75°C/W on standard JEDEC 51-7 (4 layers, 2S2P) thermal test board. The maximum power dissipation at $T_A = 25^\circ\text{C}$ can be calculated by following formula:

$$P_{D(MAX)} = (125^\circ\text{C} - 25^\circ\text{C}) / 75^\circ\text{C/W} = 1.33\text{W}$$

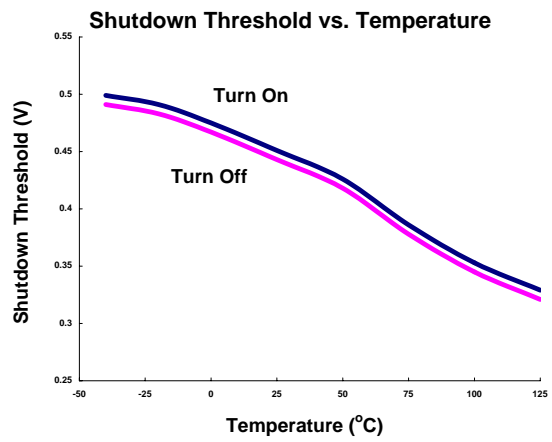
The thermal resistance R_{thja} of ESOP-8 (Exposed Pad) is determined by the package design and the PCB design. However, the package design has been decided. If possible, it's useful to increase thermal performance by the PCB design. The thermal resistance can be decreased by adding copper under the expose pad of ESOP-8 package. We have to consider the copper couldn't stretch infinitely and avoid the tin overflow.



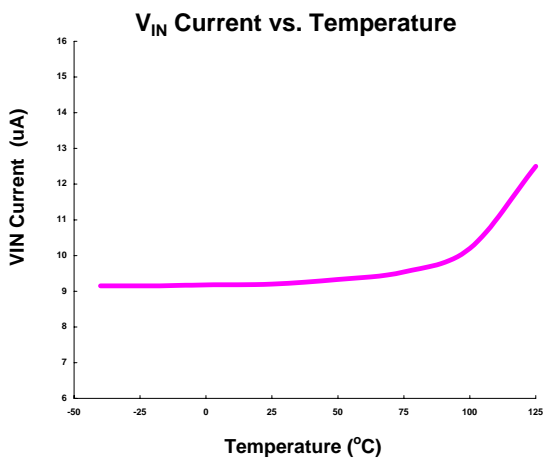
TYPICAL PERFORMANCE CHARACTERISTICS



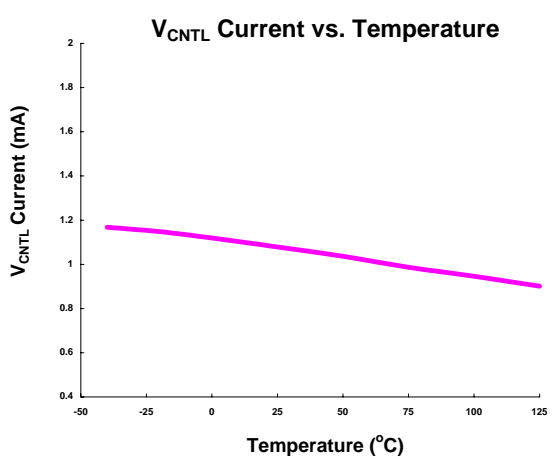
$V_{IN} = 1.8V, V_{CNTL} = 3.3V$



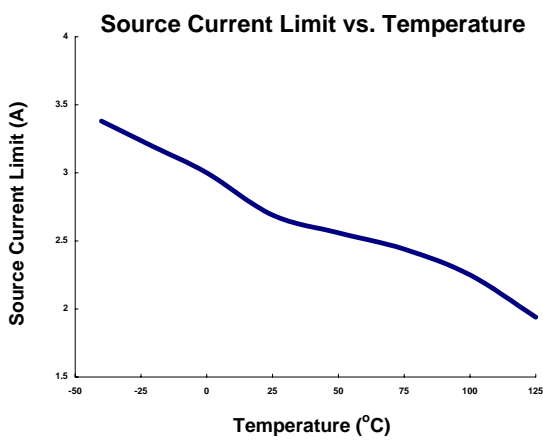
$V_{IN} = 1.8V, V_{CNTL} = 3.3V$



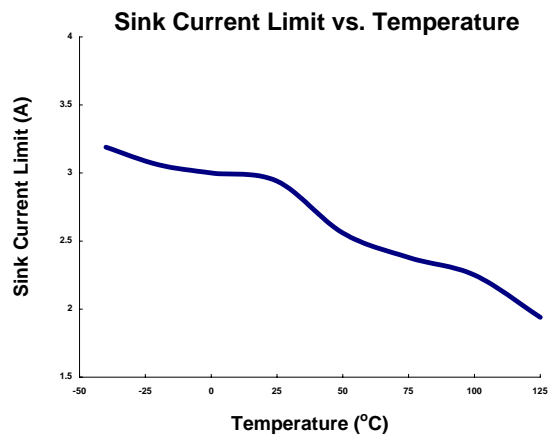
$V_{IN} = 1.8V, V_{CNTL} = 3.3V$



$V_{IN} = 1.8V, V_{CNTL} = 3.3V$



$V_{IN} = 1.8V, V_{CNTL} = 3.3V$

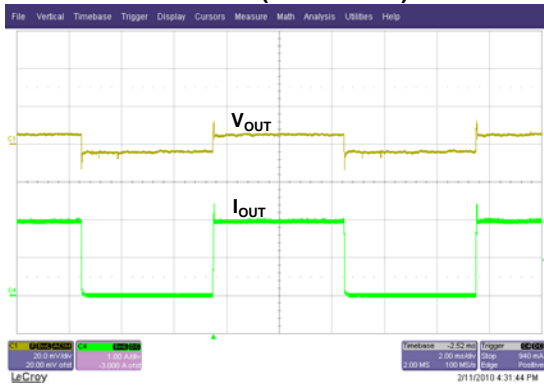


$V_{IN} = 1.8V, V_{CNTL} = 3.3V$



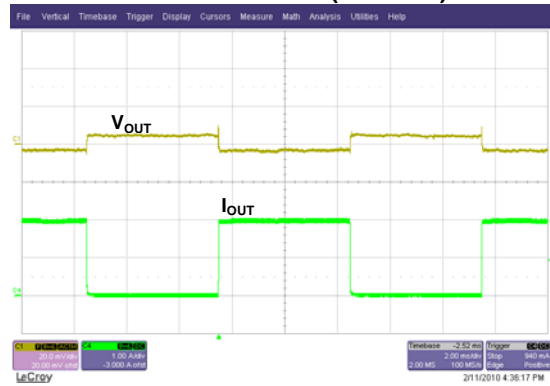
TYPICAL PERFORMANCE CHARACTERISTICS

Load Transient (Source test)



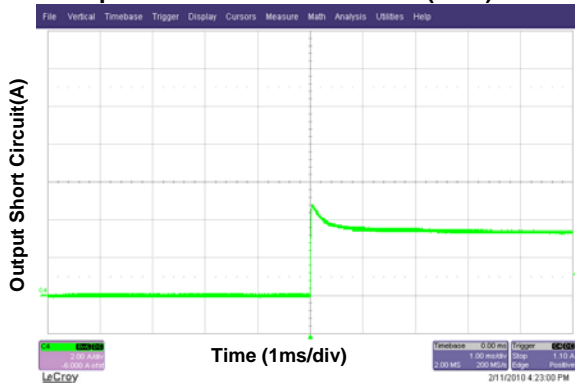
$V_{IN} = 1.8V$, $V_{CNTL} = 3.3V$
 $V_{REF} = 0.9V$ Supplied by a regulator

Load Transient (Sink test)



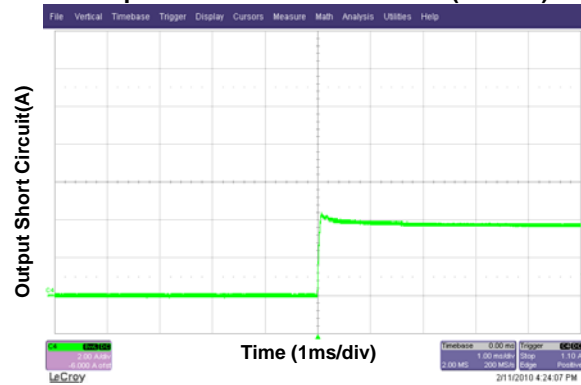
$V_{IN} = 1.8V$, $V_{CNTL} = 3.3V$
 $V_{REF} = 0.9V$ Supplied by a regulator

Output Short-Circuit Protection (Sink)



$V_{IN} = 1.8V$, $V_{CNTL} = 3.3V$

Output Short-Circuit Protection (Source)

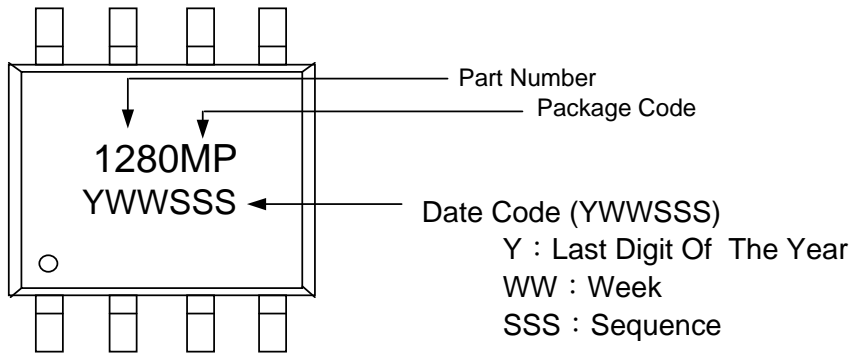


$V_{IN} = 1.8V$, $V_{CNTL} = 3.3V$



MARKING INFORMATION

ESOP-8



Вы скачали этот файл с сайта «Сайт радиолюбителей»



Другие разделы сайта

Раздел БИБЛИОТЕКА

Книги для и журналы радиолюбителям

<http://radio-uchebnik.ru/library/>

Раздел РАДИОСХЕМЫ

Различные схемы как для начинающих так и для профессионалов:

Схемы бытовой техники, телевизоров, мониторов, автомагнитол, музыкальных центров, и для самостоятельной сборки

<http://radio-uchebnik.ru/shem/>

Раздел ФАЙЛОВОЕ ХРАНИЛИЩЕ

Различные файлы: Даташиты, схемы, прошивки и так далее

<http://radio-uchebnik.ru/downfiles/>

Раздел РАДИОКОМПАС

Если Вы занимаетесь ремонтом электроники на профессиональном уровне- то Вы можете сообщить о себе.

<http://radio-uchebnik.ru/radiomap/>

Раздел ДОСКА ОБЪЯВЛЕНИЙ

Здесь Вы можете разместить бесплатное объявление сроком до 120 дней (только радиотематика!!)

<http://radio-uchebnik.ru/ads/>

Раздел СПРАВОЧНИК ПО МИКРОСХЕМАМ

Справочные данные на микросхемы импортного и отечественного производства

<http://radio-uchebnik.ru/microbase/>

Раздел СТАТЬИ

Различные статьи радиолюбительской (и не только) тематики: секреты телемастера, практическая электроника, альтернативная энергия, расчеты по электронике, электронные устройства и так далее

<http://radio-uchebnik.ru/txt/>

ФОРУМ НАШЕГО САЙТА

<http://radio-uchebnik.ru/forum/>