

---

**Single-key QTouch® Touch Sensor IC**

---

**DATASHEET**

---

**Features**

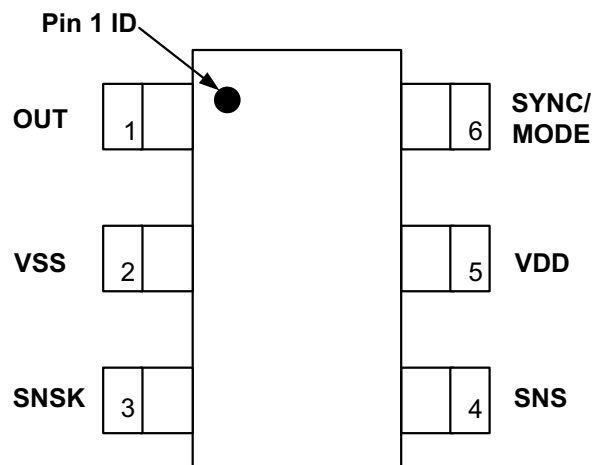
---

- Number of Keys:
  - One – configurable as either a single key or a proximity sensor
- Technology:
  - Patented spread-spectrum charge-transfer (direct mode)
- Key outline sizes:
  - 6 mm × 6 mm or larger (panel thickness dependent); widely different sizes and shapes possible
- Electrode design:
  - Solid or ring electrode shapes
- PCB Layers required:
  - One
- Electrode materials:
  - Etched copper, silver, carbon, Indium Tin Oxide (ITO)
- Electrode substrates:
  - PCB, FPCB, plastic films, glass
- Panel materials:
  - Plastic, glass, composites, painted surfaces (low particle density metallic paints possible)
- Panel thickness:
  - Up to 12 mm glass, 6 mm plastic (electrode size and Cs dependent)
- Key sensitivity:
  - Settable via capacitor (Cs)
- Interface:
  - Digital output, active high
- Moisture tolerance:
  - Increased moisture tolerance based on hardware design and firmware tuning
- Operating Voltage:
  - 1.8 V – 5.5 V; 17  $\mu$ A at 1.8 V typical
- Package:
  - 6-pin SOT23-6 RoHS compliant
  - 8-pin UDFN/USON RoHS compliant
- Signal processing:
  - Self-calibration, auto drift compensation, noise filtering
  - Infinite max on-duration
- Applications:
  - Control panels, consumer appliances, proximity sensor applications, toys, lighting controls, mechanical switch or button,
- Patents:
  - QTouch® (patented charge-transfer method)
  - HeartBeat (monitors health of device)

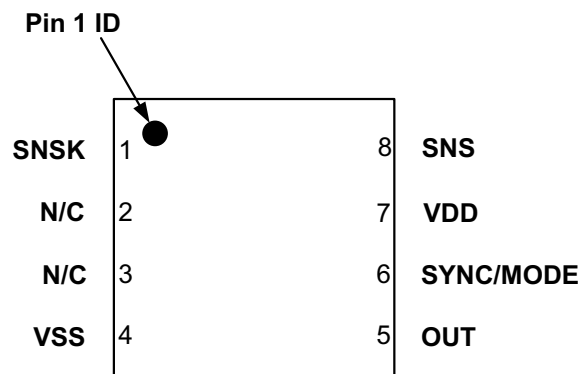
# 1. Pinout and Schematic

## 1.1 Pinout Configurations

### 1.1.1 6-pin SOT23-6



### 1.1.2 8-pin UDFN/USON



## 1.2 Pin Descriptions

### 1.2.1 6-pin SOT23-6

Table 1-1. Pin Listing

Name	Pin	Type	Comments	If Unused, Connect To...
OUT	1	O	Output state	–
VSS	2	P	Supply ground	–
SNSK	3	I/O	Sense pin	Cs + Key
SNS	4	I/O	Sense pin	Cs
VDD	5	P	Power	–
SYNC	6	I	SYNC and Mode Input	Pin is either SYNC/Slow/Fast Mode, depending on logic level applied (see <a href="#">Section 3.1 on page 7</a> )

I Input only                      O Output only, push-pull                      I/O Input/output  
 OD Open drain output            P Ground or power

### 1.2.2 8-pin UDFN/USON

Table 1-2. Pin Listing

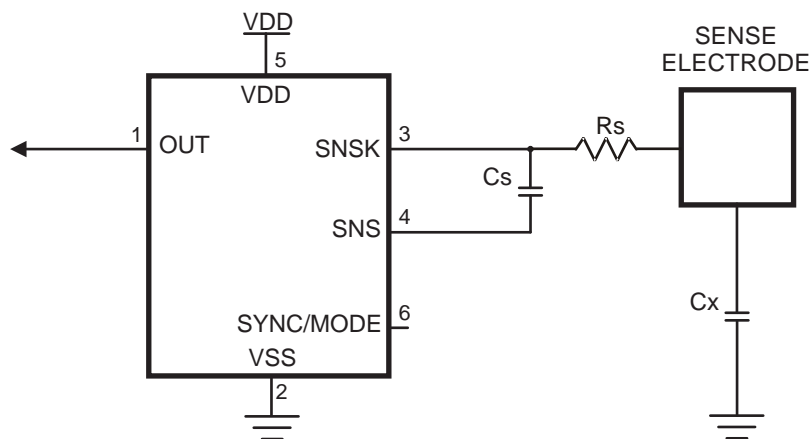
Name	Pin	Type	Comments	If Unused, Connect To...
SNSK	1	I/O	Sense pin	Cs + Key
N/C	2	–	No connection	–
N/C	3	–	No connection	–
VSS	4	P	Supply ground	–
OUT	5	O	Output state	–
SYNC/ MODE	6	I	SYNC and Mode Input	Pin is either SYNC/Slow/Fast Mode, depending on logic level applied (see <a href="#">Section 3.1 on page 7</a> )
VDD	7	P	Power	–
SNS	8	I/O	Sense pin	Cs

I Input only                      O Output only, push-pull                      I/O Input/output  
 OD Open drain output            P Ground or power

## 1.3 Schematics

### 1.3.1 6-pin SOT23-6

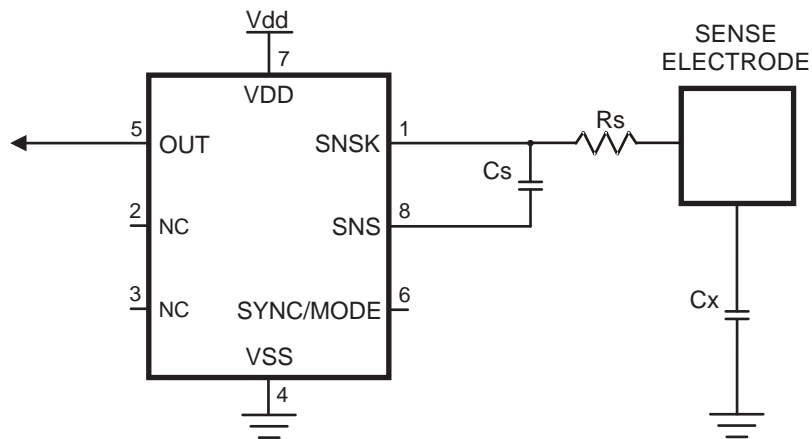
Figure 1-1. Basic Circuit Configuration



Note: A bypass capacitor should be tightly wired between Vdd and Vss and kept close to pin 5.

### 1.3.2 8-pin UDFN/USON

Figure 1-2. Basic Circuit Configuration



Note: A bypass capacitor should be tightly wired between Vdd and Vss and kept close to pin 5.

## 2. Overview of the AT42QT11

### 2.1 Introduction

The AT42QT1011 (QT1011) is a digital burst mode charge-transfer (QT™) sensor that is capable of detecting near-proximity or touch, making it ideal for implementing touch controls.

With the proper electrode and circuit design, the self-contained digital IC will project a touch or proximity field to several centimeters through any dielectric like glass, plastic, stone, ceramic, and even most kinds of wood. It can also turn small metal-bearing objects into intrinsic sensors, making them responsive to proximity or touch. This capability, coupled with its ability to self-calibrate, can lead to entirely new product concepts.

The QT1011 is designed specifically for human interfaces, like control panels, appliances, toys, lighting controls, or anywhere a mechanical switch or button may be found. It includes all hardware and signal processing functions necessary to provide stable sensing under a wide variety of changing conditions. Only a single low-cost capacitor is required for operation.

### 2.2 Basic Operation

[Figure 1-1 on page 4](#) and [Figure 1-2 on page 4](#) show basic circuits.

The QT1011 employs bursts of charge-transfer cycles to acquire its signal. Burst mode permits power consumption in the microamp range, dramatically reduces RF emissions, lowers susceptibility to EMI, and yet permits excellent response time. Internally the signals are digitally processed to reject impulse noise, using a “consensus” filter which requires four consecutive confirmations of a detection before the output is activated.

The QT switches and charge measurement hardware functions are all internal to the QT1011.

### 2.3 Electrode Drive

For optimum noise immunity, the electrode should only be connected to SNSK.

In all cases the rule  $C_s \gg C_x$  must be observed for proper operation; a typical load capacitance ( $C_x$ ) ranges from 5 – 20 pF while  $C_s$  is usually about 2 – 50 nF.

Increasing amounts of  $C_x$  destroy gain, therefore it is important to limit the amount of stray capacitance on both SNS terminals. This can be done, for example, by minimizing trace lengths and widths and keeping these traces away from power or ground traces or copper pours.

The traces and any components associated with SNS and SNSK will become touch sensitive and should be treated with caution to limit the touch area to the desired location.

A series resistor,  $R_s$ , should be placed in line with SNSK to the electrode to suppress ESD and EMC effects.

### 2.4 Sensitivity

#### 2.4.1 Introduction

The sensitivity on the QT1011 is a function of things like the value of  $C_s$ , electrode size and capacitance, electrode shape and orientation, the composition and aspect of the object to be sensed, the thickness and composition of any overlaying panel material, and the degree of ground coupling of both sensor and object.

#### 2.4.2 Increasing Sensitivity

In some cases it may be desirable to increase sensitivity; for example, when using the sensor with very thick panels having a low dielectric constant, or when the device is used as a proximity sensor. Sensitivity can often be increased by using a larger electrode or reducing panel thickness. Increasing electrode size can have diminishing returns, as high values of  $C_x$  will reduce sensor gain.

The value of  $C_s$  also has a dramatic effect on sensitivity, and this can be increased in value with the trade-off of slower response time and more power. Increasing the electrode's surface area will not substantially increase touch sensitivity if its diameter is already much larger in surface area than the object being detected. Panel material can also be changed to one having a higher dielectric constant, which will better help to propagate the field.

In the case of proximity detection, usually the object being detected is on an approaching hand, so a larger surface area can be effective.

Ground planes around and under the electrode and its SNSK trace will cause high  $C_x$  loading and destroy gain. The possible signal-to-noise ratio benefits of ground area are more than negated by the decreased gain from the circuit, and so ground areas around electrodes are discouraged. Metal areas near the electrode will reduce the field strength and increase  $C_x$  loading and should be avoided, if possible. Keep ground away from the electrodes and traces.

### 2.4.3 Decreasing Sensitivity

In some cases the QT1011 may be too sensitive. In this case gain can be easily lowered further by decreasing  $C_s$ .

### 2.4.4 Proximity Sensing

By increasing the sensitivity, the QT1011 can be used as a very effective proximity sensor, allowing the presence of a nearby object (typically a hand) to be detected.

In this scenario, as the object being sensed is typically a hand, very large electrode sizes can be used, which is extremely effective in increasing the sensitivity of the detector. In this case, the value of  $C_s$  will also need to be increased to ensure improved sensitivity, as mentioned in [Section 2.4.2](#). Note that, although this affects the responsiveness of the sensor, it is less of an issue in proximity sensing applications; in such applications it is necessary to detect simply the presence of a large object, rather than a small, precise touch.

### 3. Operation Specifics

#### 3.1 Run Modes

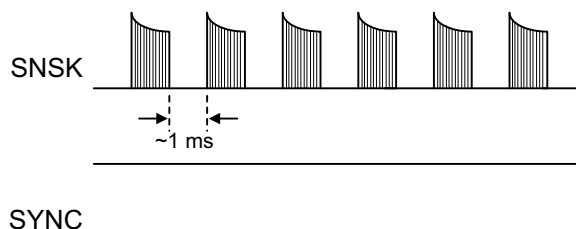
##### 3.1.1 Introduction

The QT1011 has three running modes which depend on the state of the SYNC pin (high or low).

##### 3.1.2 Fast Mode

The QT1011 runs in Fast mode if the SYNC pin is permanently high. In this mode the QT1011 runs at maximum speed at the expense of increased current consumption. Fast mode is useful when speed of response is the prime design requirement. The delay between bursts in Fast mode is approximately 1 ms, as shown in [Figure 3-1](#).

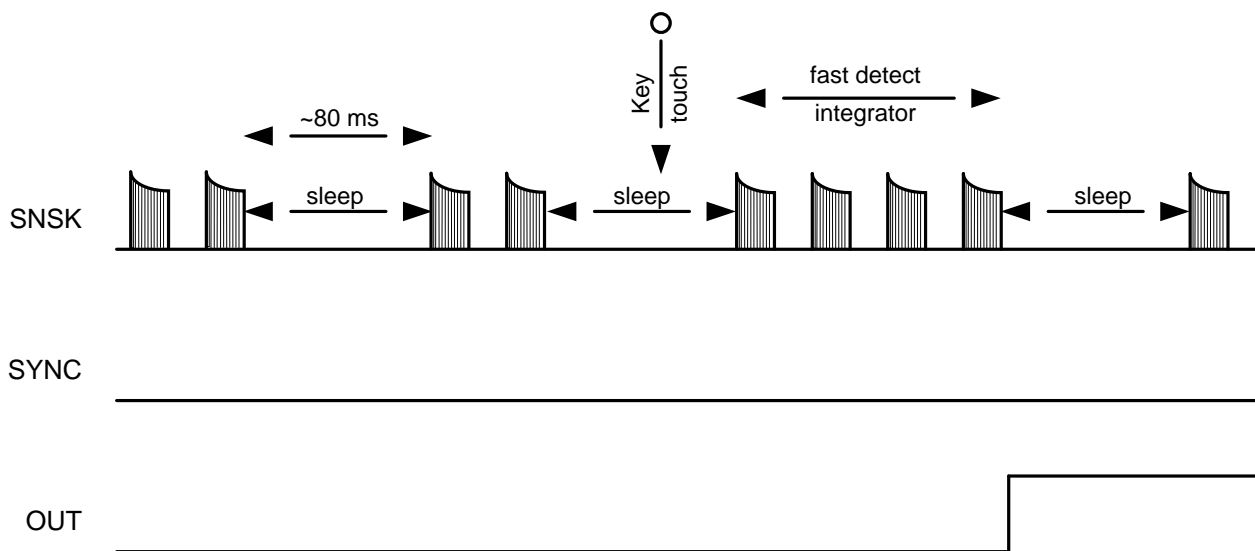
**Figure 3-1. Fast Mode Bursts (SYNC Held High)**



##### 3.1.3 Low Power Mode

The QT1011 runs in Low Power (LP) mode if the SYNC pin is held low. In this mode it sleeps for approximately 80 ms at the end of each burst, saving power but slowing response. On detecting a possible key touch, it temporarily switches to Fast mode until either the key touch is confirmed or found to be spurious (via the detect integration process). It then returns to LP mode after the key touch is resolved, as shown in [Figure 3-2](#).

**Figure 3-2. Low Power Mode (SYNC Held Low)**

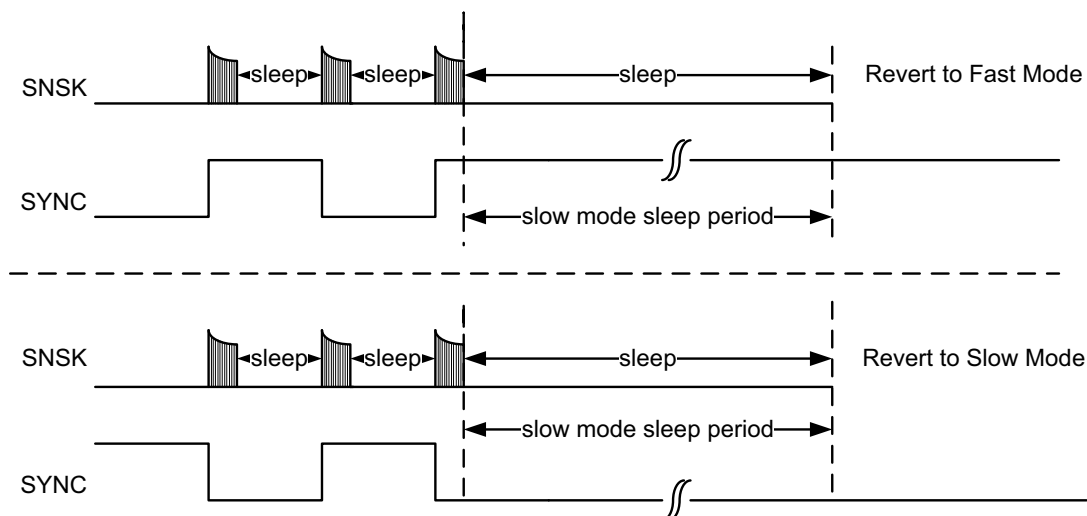


### 3.1.4 SYNC Mode

It is possible to synchronize the device to an external clock source by placing an appropriate waveform on the SYNC pin. SYNC mode can synchronize multiple QT1011 devices to each other to prevent cross-interference, or it can be used to enhance noise immunity from low frequency sources such as 50Hz or 60Hz mains signals.

The SYNC pin is sampled at the end of each burst. If the device is in Fast mode and the SYNC pin is sampled high, then the device continues to operate in Fast mode (Figure 3-1 on page 7). If SYNC is sampled low, then the device goes to sleep. From then on, it will operate in SYNC mode (Figure 3-2). Therefore, to guarantee entry into SYNC mode the low period of the SYNC signal should be longer than the burst length (Figure 3-3).

**Figure 3-3. SYNC Mode (Triggered by SYNC Edges)**

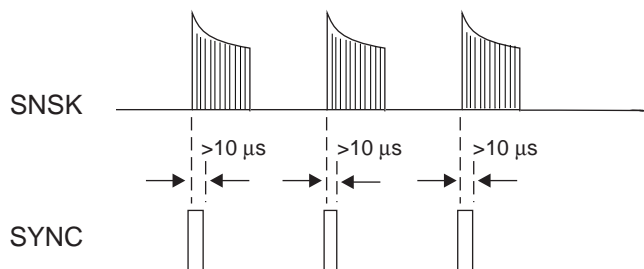


However, once SYNC mode has been entered, if the SYNC signal consists of a series of short pulses ( $>10\ \mu\text{s}$ ) then a burst will only occur on the falling edge of each pulse (Figure 3-4) instead of on each change of SYNC signal, as normal (Figure 3-3).

In SYNC mode, the device will sleep after each measurement burst (just as in LP mode) but will be awakened by a change in the SYNC signal in either direction, resulting in a new measurement burst. If SYNC remains unchanged for a period longer than the LP mode sleep period (about 80 ms), the device will resume operation in either Fast or LP mode depending on the level of the SYNC pin (Figure 3-3).

There is no detect integrator (DI) in SYNC mode (each touch is a detection); see Section 3.4 on page 9. Recalibration timeout is a fixed number of measurements so will vary with the SYNC period.

**Figure 3-4. SYNC Mode (Short Pulses)**





### 3.2 Threshold

The internal signal threshold level is fixed at 10 counts of change with respect to the internal reference level, which in turn adjusts itself slowly in accordance with the drift compensation mechanism.

The QT1011 employs a hysteresis dropout of two counts of the delta between the reference and threshold levels.

### 3.3 Max On-duration

The max on-duration of this device is infinite; that is, the device will not automatically recalibrate due to a persistent detection.

### 3.4 Detect Integrator

It is desirable to suppress detections generated by electrical noise or from quick brushes with an object. To accomplish this, the QT1011 incorporates a detect integration (DI) counter that increments with each detection until a limit is reached, after which the output is activated. If no detection is sensed prior to the final count, the counter is reset immediately to zero. In the QT1011, the required count is four. In LP mode the device will switch to Fast mode temporarily in order to resolve the detection more quickly; after a touch is either confirmed or denied the device will revert back to normal LP mode operation automatically.

The DI can also be viewed as a “consensus filter” that requires four successive detections to create an output.

### 3.5 Forced Sensor Recalibration

The QT1011 has no recalibration pin; a forced recalibration is accomplished when the device is powered up or after the recalibration timeout. However, supply drain is low so it is a simple matter to treat the entire IC as a controllable load; driving the QT1011's Vdd pin directly from another logic gate or a microcontroller port will serve as both power and “forced recalibration”. The source resistance of most CMOS gates and microcontrollers is low enough to provide direct power without problem.

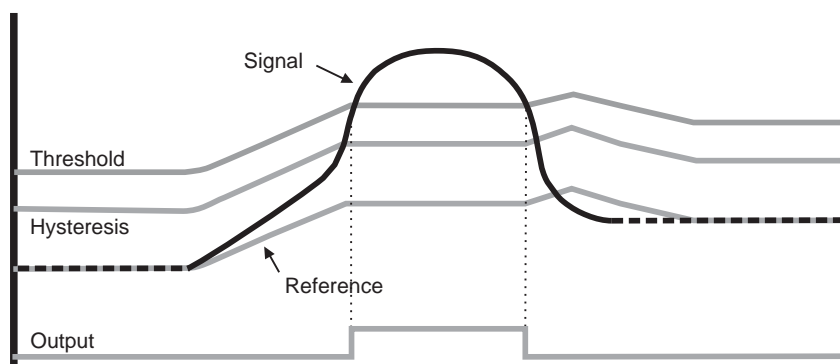
### 3.6 Drift Compensation

Signal drift can occur because of changes in Cx and Cs over time. It is crucial that drift be compensated for, otherwise false detections, non-detections, and sensitivity shifts will follow.

Drift compensation (Figure 3-5) is performed by making the reference level track the raw signal at a slow rate, but only while there is no detection in effect. The rate of adjustment must be performed slowly, otherwise legitimate detections could be ignored. The QT1011 drift compensates using a slew-rate limited change to the reference level; the threshold and hysteresis values are slaved to this reference.

Once an object is sensed, the drift compensation mechanism ceases since the signal is legitimately high, and therefore should not cause the reference level to change.

Figure 3-5. Drift Compensation



The QT1011 drift compensation is asymmetric; the reference level drift-compensates in one direction faster than it does in the other. Specifically, it compensates faster for decreasing signals than for increasing signals. Increasing signals should not be compensated for quickly, since an approaching finger could be compensated for partially or entirely before even approaching the sense electrode. However, an obstruction over the sense pad, for which the sensor has already made full allowance, could suddenly be removed leaving the sensor with an artificially elevated reference level and thus become insensitive to touch. In this latter case, the sensor will compensate for the object's removal very quickly, usually in only a few seconds.

With large values of  $C_s$  and small values of  $C_x$ , drift compensation will appear to operate more slowly than with the converse. Note that the positive and negative drift compensation rates are different.

### 3.7 Response Time

The QT1011's response time is highly dependent on run mode and burst length, which in turn is dependent on  $C_s$  and  $C_x$ . With increasing  $C_s$ , response time slows, while increasing levels of  $C_x$  reduce response time. The response time will also be a lot slower in LP or SYNC mode due to a longer time between burst measurements.

### 3.8 Spread Spectrum

The QT1011 modulates its internal oscillator by  $\pm 7.5\%$  during the measurement burst. This spreads the generated noise over a wider band, reducing emission levels. This also reduces susceptibility since there is no longer a single fundamental burst frequency.

### 3.9 Output Features

#### 3.9.1 Output

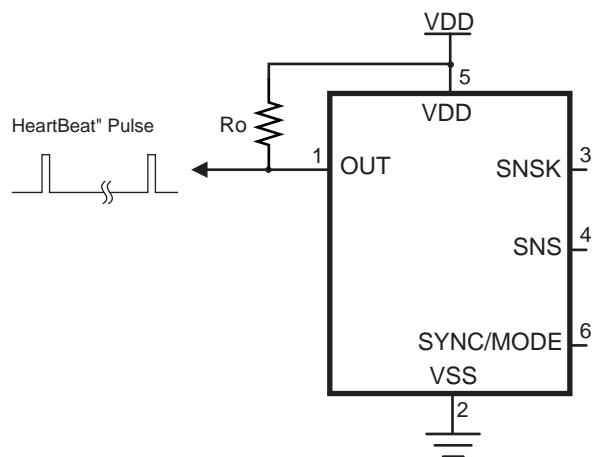
The output of the QT1011 is active-high upon detection. The output will remain active-high for the duration of the detection.

#### 3.9.2 HeartBeat Output

The QT1011 output has a HeartBeat "health" indicator superimposed on it in all modes. This operates by taking the output pin into a three-state mode for  $15\ \mu\text{s}$ , once before every QT burst. This output state can be used to determine that the sensor is operating properly, using one of several simple methods, or it can be ignored.

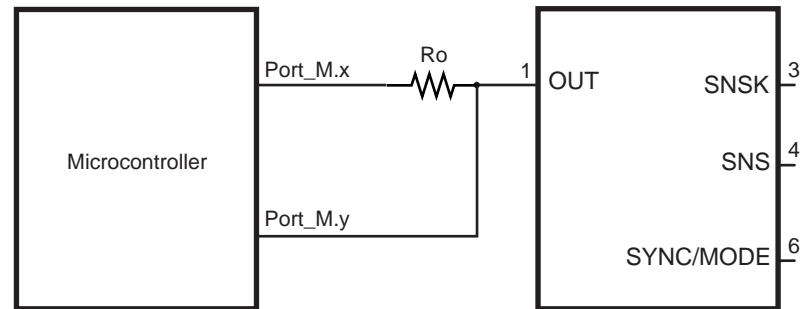
The HeartBeat indicator can be sampled by using a pull-up resistor on the OUT pin (Figure 3-6), and feeding the resulting positive-going pulse into a counter, flip flop, one-shot, or other circuit. The pulses will only be visible when the chip is not detecting a touch.

Figure 3-6. Obtaining HeartBeat Pulses with a Pull-up Resistor (SOT23-6)



If the sensor is wired to a microcontroller as shown in [Figure 3-7 on page 11](#), the microcontroller can reconfigure the load resistor to either Vss or Vdd depending on the output state of the QT1011, so that the pulses are evident in either state.

**Figure 3-7. Using a Microcontroller to Obtain HeartBeat Pulses in Either Output State (SOT23-6)**



Electromechanical devices like relays will usually ignore the short HeartBeat pulse. The pulse also has too low a duty cycle to visibly affect LEDs. It can be filtered completely if desired, by adding an RC filter to the output, or if interfacing directly and only to a high-impedance CMOS input, by doing nothing or at most adding a small noncritical capacitor from OUT to Vss.

### 3.9.3 Output Drive

The OUT pin is active high and can sink or source up to 2 mA. When a large value of Cs (>20 nF) is used the OUT current should be limited to <1 mA to prevent gain-shifting side effects, which happen when the load current creates voltage drops on the die and bonding wires; these small shifts can materially influence the signal level to cause detection instability.

## 4. Circuit Guidelines

### 4.1 More Information

Refer to Application Note QTAN0002, *Secrets of a Successful QTouch Design* and the *Touch Sensors Design Guide* (both downloadable from the Atmel website), for more information on construction and design methods.

### 4.2 Sample Capacitor

Cs is the charge sensing sample capacitor. The required Cs value depends on the thickness of the panel and its dielectric constant. Thicker panels require larger values of Cs. Typical values are 2 nF to 50 nF depending on the sensitivity required; larger values of Cs demand higher stability and better dielectric to ensure reliable sensing.

The Cs capacitor should be a stable type, such as X7R ceramic or PPS film. For more consistent sensing from unit to unit, 5% tolerance capacitors are recommended. X7R ceramic types can be obtained in 5% tolerance at little or no extra cost. In applications where high sensitivity (long burst length) is required the use of PPS capacitors is recommended.

For battery powered operation a higher value sample capacitor is recommended (typical value 8.2 nF).

### 4.3 UDFN/USON Package Restrictions

The central pad on the underside of the UDFN/USON chip is connected to ground. Do not run any tracks underneath the body of the chip, only ground.

### 4.4 Power Supply and PCB Layout

See [Section 5.2 on page 14](#) for the power supply range. At 3 V current drain averages less than 500  $\mu$ A in Fast mode.

If the power supply is shared with another electronic system, care should be taken to ensure that the supply is free of digital spikes, sags, and surges which can adversely affect the QT1011. The QT1011 will track slow changes in Vdd, but it can be badly affected by rapid voltage fluctuations. It is highly recommended that a separate voltage regulator be used just for the QT1011 to isolate it from power supply shifts caused by other components.

If desired, the supply can be regulated using a Low Dropout (LDO) regulator, although such regulators often have poor transient line and load stability. See Application Note QTAN0002, *Secrets of a Successful QTouch™ Design* for further information.

**Parts placement:** The chip should be placed to minimize the SNSK trace length to reduce low frequency pickup, and to reduce stray Cx which degrades gain. The Cs and Rs resistors (see [Figure 1-1 on page 4](#)) should be placed as close to the body of the chip as possible so that the trace between Rs and the SNSK pin is very short, thereby reducing the antenna-like ability of this trace to pick up high frequency signals and feed them directly into the chip. A ground plane can be used under the chip and the associated discrete components, but the trace from the Rs resistor and the electrode should not run near ground, to reduce loading.

For best EMC performance the circuit should be made entirely with SMT components.

**Electrode trace routing:** Keep the electrode trace (and the electrode itself) away from other signal, power, and ground traces including over or next to ground planes. Adjacent switching signals can induce noise onto the sensing signal; any adjacent trace or ground plane next to, or under, the electrode trace will cause an increase in Cx load and desensitize the device.

**Note:** For proper operation a 100 nF (0.1  $\mu$ F) ceramic bypass capacitor must be used directly between Vdd and Vss, to prevent latch-up if there are substantial Vdd transients; for example, during an ESD event. The bypass capacitor should be placed very close to the Vss and Vdd pins.

## 4.5 Power On

On initial power up, the QT1011 requires approximately 100 ms to power on to allow power supplies to stabilize. During this time the OUT pin state is not valid and should be ignored.

## 5. Specifications

### 5.1 Absolute Maximum Specifications

Operating temperature	–40°C to +85°C
Storage temperature	–55°C to +125°C
V <sub>DD</sub>	0 to +6.5 V
Max continuous pin current, any control or drive pin	±20 mA
Short circuit duration to V <sub>SS</sub> , any pin	Infinite
Short circuit duration to V <sub>DD</sub> , any pin	Infinite
Voltage forced onto any pin	–0.6V to (V <sub>DD</sub> + 0.6) V



**CAUTION:** Stresses beyond those listed under *Absolute Maximum Specifications* may cause permanent damage to the device. This is a stress rating only and functional operation of the device at these or other conditions beyond those indicated in the operational sections of this specification is not implied. Exposure to absolute maximum specification conditions for extended periods may affect device reliability

### 5.2 Recommended Operating Conditions

V <sub>DD</sub>	+1.8 to 5.5 V
Short-term supply ripple + noise	±20 mV
Long-term supply stability	±100 mV
C <sub>s</sub> value	2 to 50 nF
C <sub>x</sub> value	5 to 50 pF

### 5.3 AC Specifications

V<sub>DD</sub> = 3.0 V, C<sub>s</sub> = 4.7 nF, C<sub>x</sub> = 5 pF, T<sub>a</sub> = recommended range, unless otherwise noted

Parameter	Description	Min	Typ	Max	Units	Notes
T <sub>RC</sub>	Recalibration time	–	200	–	ms	C <sub>s</sub> , C <sub>x</sub> dependent
T <sub>PC</sub>	Charge duration	–	3.05	–	µs	±7.5% spread spectrum variation
T <sub>PT</sub>	Transfer duration	–	9.0	–	µs	±7.5% spread spectrum variation
T <sub>G1</sub>	Time between end of burst and start of the next (Fast mode)	–	1.2	–	ms	
T <sub>G2</sub>	Time between end of burst and start of the next (LP mode)	–	80	–	ms	Increases with decreasing V <sub>DD</sub> See <a href="#">Figure 5-1 on page 15</a>

V<sub>DD</sub> = 3.0 V, C<sub>s</sub> = 4.7 nF, C<sub>x</sub> = 5 pF, T<sub>a</sub> = recommended range, unless otherwise noted

Parameter	Description	Min	Typ	Max	Units	Notes
T <sub>BL</sub>	Burst length	–	2.45	–	ms	V <sub>DD</sub> , C <sub>s</sub> and C <sub>x</sub> dependent. See <a href="#">Section 4.2</a> for capacitor selection.
T <sub>R</sub>	Response time	–	–	100	ms	
T <sub>HB</sub>	HeartBeat pulse width	–	15	–	μs	

Figure 5-1. T<sub>G2</sub> – Time Between Bursts (LP Mode)

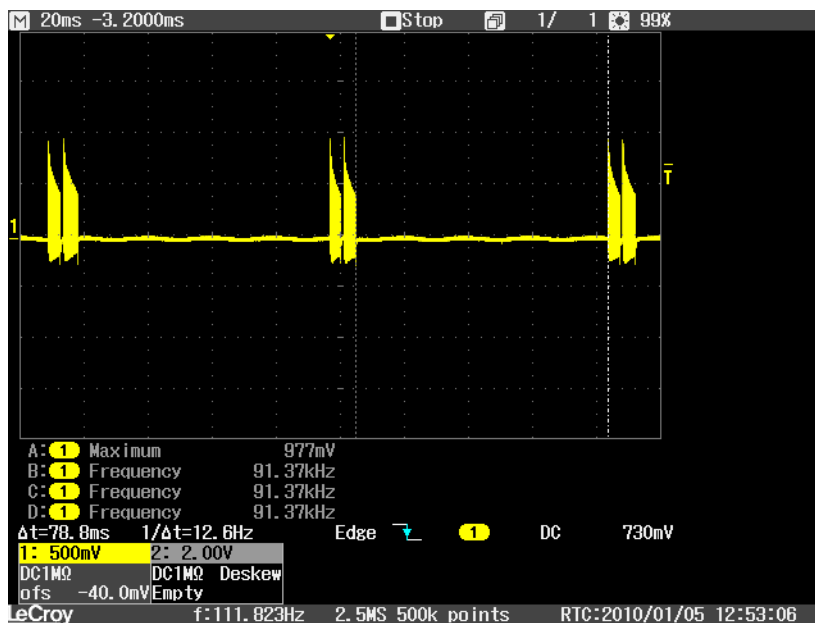
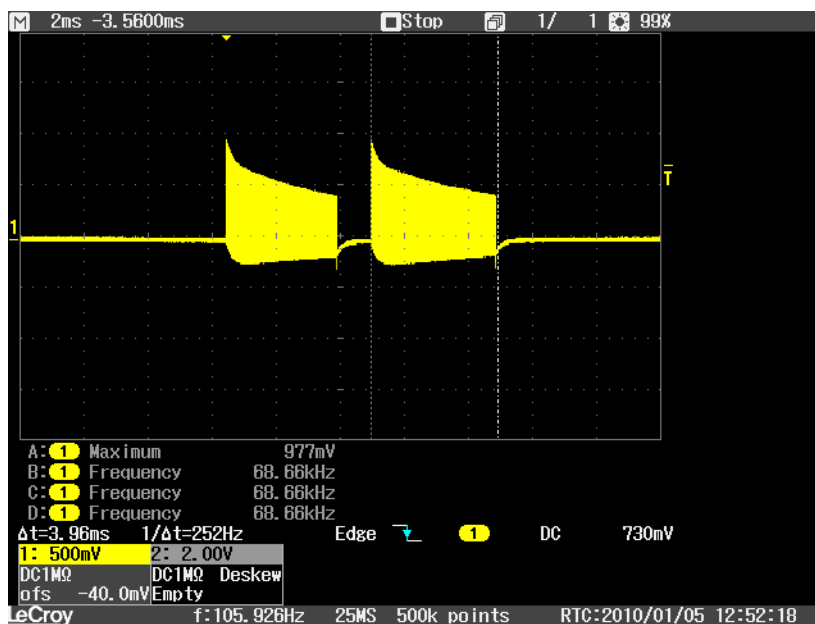


Figure 5-2. T<sub>BL</sub> – Burst Length



## 5.4 Signal Processing

V<sub>dd</sub> = 3.0V, C<sub>s</sub> = 4.7 nF, C<sub>x</sub> = 5 pF, T<sub>a</sub> = recommended range, unless otherwise noted

Description	Min	Typ	Max	Units	Notes
Threshold differential		10		counts	
Hysteresis		2		counts	
Consensus filter length		4		samples	
Max on-duration		Infinite		seconds	

## 5.5 DC Specifications

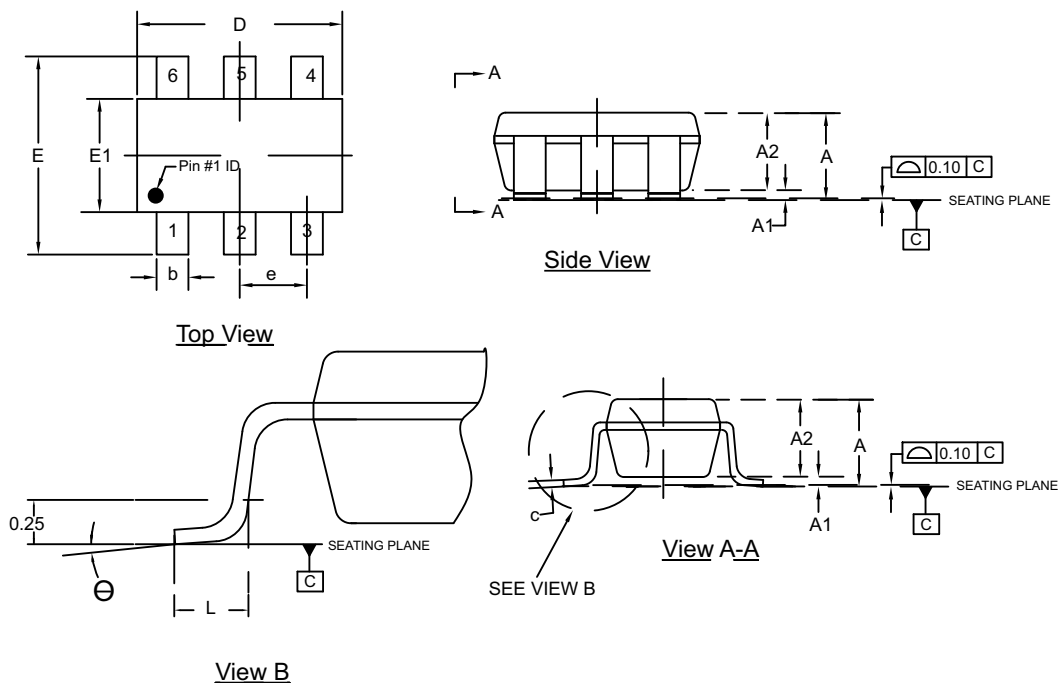
V<sub>dd</sub> = 3.0V, C<sub>s</sub> = 4.7 nF, C<sub>x</sub> = 5 pF, T<sub>a</sub> = recommended range, unless otherwise noted

Parameter	Description	Min	Typ	Max	Units	Notes
V <sub>DD</sub>	Supply voltage	1.8		5.5	V	
I <sub>DD</sub>	Supply current, Fast mode	–	203.0 246.0 378.5 542.5 729.0	–	μA	1.8 V 2.0 V 3.0 V 4.0 V 5.0 V
I <sub>DDL</sub>	Supply current, LP mode	–	16.5 19.5 34.0 51.5 73.5	–	μA	1.8 V 2.0 V 3.0 V 4.0 V 5.0 V
V <sub>DDS</sub>	Supply turn-on slope	10	–	–	V/s	Required for proper start-up
V <sub>IL</sub>	Low input logic level	–	–	0.2 × V <sub>dd</sub> 0.3 × V <sub>dd</sub>	V	V <sub>dd</sub> = 1.8 V – 2.4 V V <sub>dd</sub> = 2.4 V – 5.5 V
V <sub>HL</sub>	High input logic level	0.7 × V <sub>dd</sub> 0.6 × V <sub>dd</sub>	–	–	V	V <sub>dd</sub> = 1.8 V – 2.4 V V <sub>dd</sub> = 2.4 V – 5.5 V
V <sub>OL</sub>	Low output voltage	–	–	0.5	V	OUT, 4 mA sink
V <sub>OH</sub>	High output voltage	2.3	–	–	V	OUT, 1 mA source
I <sub>IL</sub>	Input leakage current	–	<0.05	1	μA	
C <sub>X</sub>	Load capacitance range	2	–	50	pF	
A <sub>R</sub>	Acquisition resolution	–	9	14	bits	



## 5.6 Mechanical Dimensions

### 5.6.1 6-pin SOT23-6



COMMON DIMENSIONS  
(Unit of Measure = mm)

SYMBOL	MIN	NOM	MAX	NOTE
A	–	–	1.45	
A1	0	–	0.15	
A2	0.90	–	1.30	
D	2.80	2.90	3.00	2
E	2.60	2.80	3.00	
E1	1.50	1.60	1.75	
L	0.30	0.45	0.55	
e	0.95 BSC			
b	0.30	–	0.50	3
c	0.09	–	0.20	
q	0°	–	8°	

- Notes:
1. This package is compliant with JEDEC specification MO-178 Variation AB.
  2. Dimension D does not include mold Flash, protrusions or gate burrs. Mold Flash, protrusion or gate burrs shall not exceed 0.25 mm per end.
  3. Dimension b does not include dambar protrusion. Allowable dambar protrusion shall not cause the lead width to exceed the maximum b dimension by more than 0.08 mm
  4. Die is facing down after trim/form.

1/25/13

**Atmel**

Package Drawing Contact:  
packagedrawings@atmel.com

**TITLE**

**6ST1**, 6-lead, 2.90 x 1.60 mm Plastic Small Outline Package (SOT23)

**GPC**

TAQ

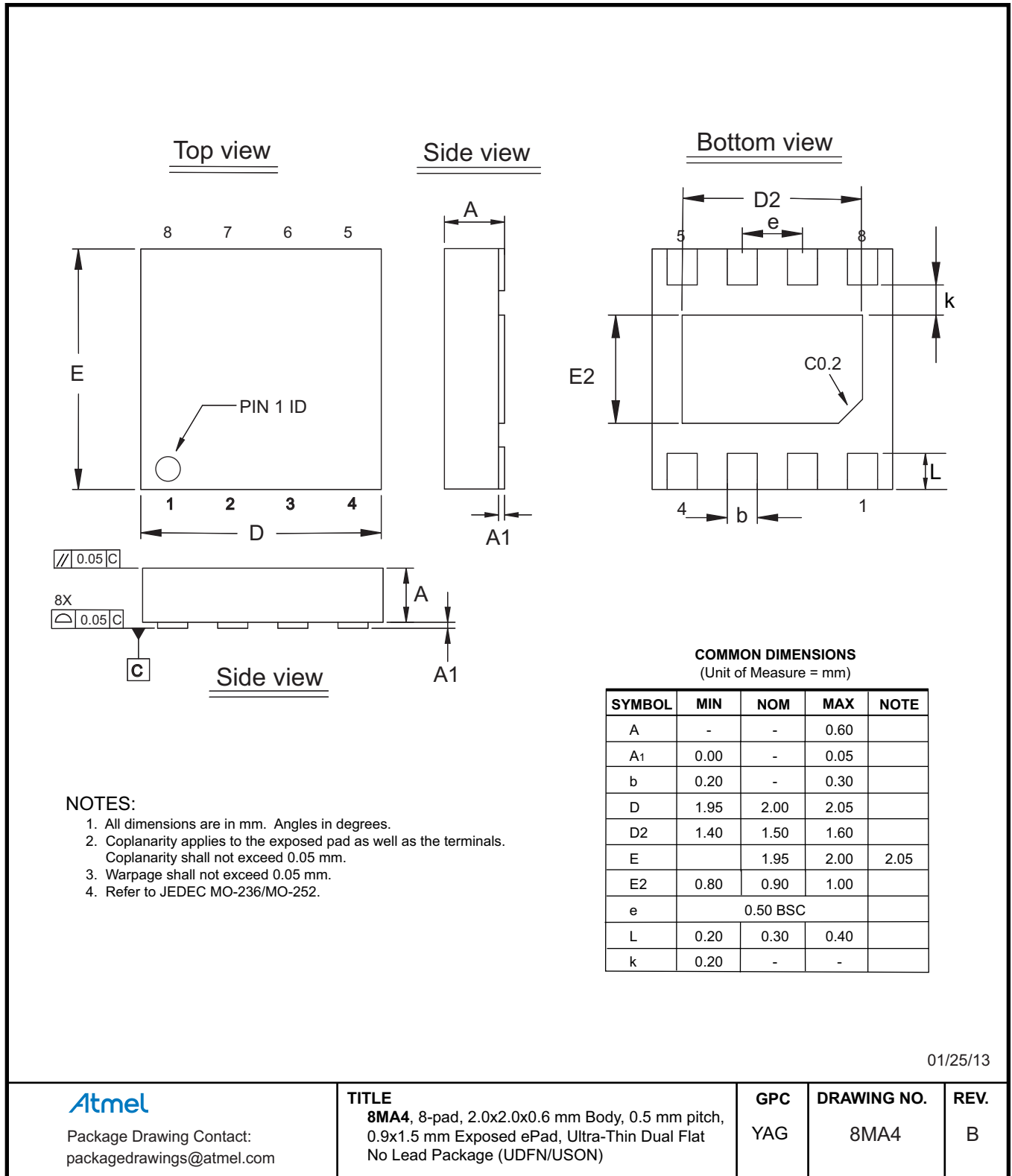
**DRAWING NO.**

6ST1

**REV.**

B

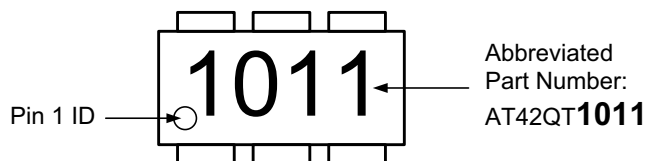
## 5.6.2 8-pin UDFN/USON



## 5.7 Part Marking

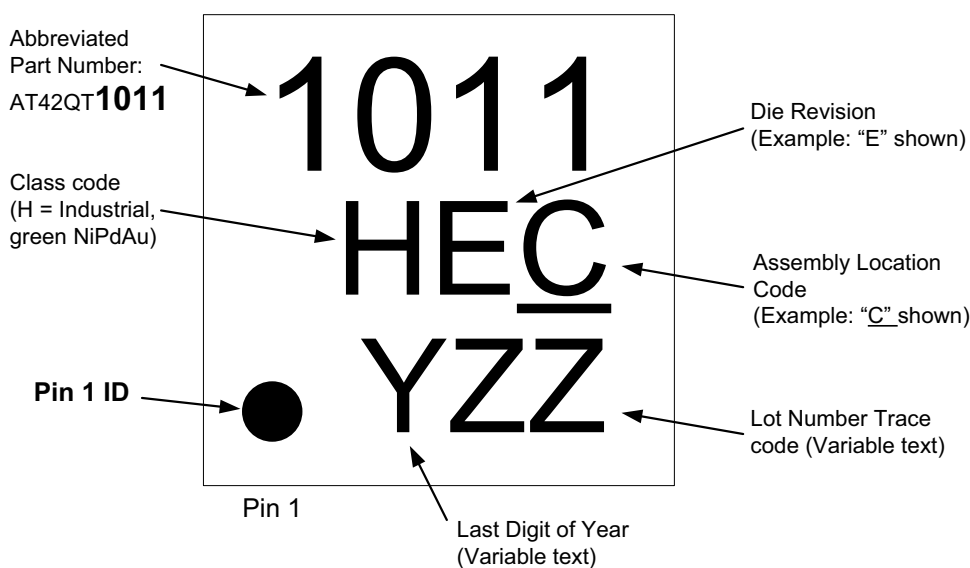
### 5.7.1 AT42QT1011 – 6-pin SOT23-6

**Note:** Samples of the AT42QT1011 may also be marked **T10E**.



### 5.7.2 AT42QT1011 – 8-pin UDFN/USON

**Note:** Samples of the AT42QT1011 may also be marked **T10**.



## 5.8 Part Number

Part Number	Description
AT42QT1011-TSHR	6-pin SOT23 RoHS compliant IC
AT42QT1011-MAH	8-pin UDFN/USON RoHS compliant IC

## 5.9 Moisture Sensitivity Level (MSL)

MSL Rating	Peak Body Temperature	Specifications
MSL1	260°C	IPC/JEDEC J-STD-020

## Associated Documents

---

For additional information, refer to the following document (downloadable from the Touch Technology area of the Atmel website, [www.atmel.com](http://www.atmel.com)):

- *Touch Sensors Design Guide*
- QTAN0002 – *Secrets of a Successful QTouch Design*

## Revision History

---

Revision No.	History
Revision A – May 2009	<ul style="list-style-type: none"><li>• Initial release</li></ul>
Revision B – August 2009	<ul style="list-style-type: none"><li>• Update for chip revision 2.2.2</li></ul>
Revision C – August 2009	<ul style="list-style-type: none"><li>• Minor update for clarity</li></ul>
Revision D – January 2010	<ul style="list-style-type: none"><li>• Power specifications updated for revision 2.4.1</li></ul>
Revision E – January 2010	<ul style="list-style-type: none"><li>• Part markings updated</li></ul>
Revision F – February 2010	<ul style="list-style-type: none"><li>• MSL specification revised</li><li>• Other minor updates</li></ul>
Revision G – March 2010	<ul style="list-style-type: none"><li>• Update for chip revision 2.6</li></ul>
Revision H – May 2010	<ul style="list-style-type: none"><li>• UDFN/USON package added</li></ul>
Revision I – May 2013	<ul style="list-style-type: none"><li>• Applied new template</li></ul>



Enabling Unlimited Possibilities®

**Atmel Corporation**

1600 Technology Drive  
San Jose, CA 95110  
USA

**Tel:** (+1) (408) 441-0311

**Fax:** (+1) (408) 487-2600

[www.atmel.com](http://www.atmel.com)

**Atmel Asia Limited**

Unit 01-5 & 16, 19F  
BEA Tower, Millennium City 5

418 Kwun Tong Road

Kwun Tong, Kowloon

HONG KONG

**Tel:** (+852) 2245-6100

**Fax:** (+852) 2722-1369

**Atmel München GmbH**

Business Campus

Parkring 4

D-85748 Garching bei München

GERMANY

**Tel:** (+49) 89-31970-0

**Fax:** (+49) 89-3194621

**Atmel Japan G.K.**

16F Shin-Osaki Kangyo Bldg

1-6-4 Osaki, Shinagawa-ku

Tokyo 141-0032

JAPAN

**Tel:** (+81) (3) 6417-0300

**Fax:** (+81) (3) 6417-0370

© 2013 Atmel Corporation. All rights reserved. / Rev.: 9542I-AT42-05/2013

Atmel®, Atmel logo and combinations thereof, QTouch® and others are registered trademarks, or trademarks of Atmel Corporation or its subsidiaries. Other terms and product names may be registered trademarks or trademarks of others.

Disclaimer: The information in this document is provided in connection with Atmel products. No license, express or implied, by estoppel or otherwise, to any intellectual property right is granted by this document or in connection with the sale of Atmel products. EXCEPT AS SET FORTH IN THE ATMEL TERMS AND CONDITIONS OF SALES LOCATED ON THE ATMEL WEBSITE, ATMEL ASSUMES NO LIABILITY WHATSOEVER AND DISCLAIMS ANY EXPRESS, IMPLIED OR STATUTORY WARRANTY RELATING TO ITS PRODUCTS INCLUDING, BUT NOT LIMITED TO, THE IMPLIED WARRANTY OF MERCHANTABILITY, FITNESS FOR A PARTICULAR PURPOSE, OR NON-INFRINGEMENT. IN NO EVENT SHALL ATMEL BE LIABLE FOR ANY DIRECT, INDIRECT, CONSEQUENTIAL, PUNITIVE, SPECIAL OR INCIDENTAL DAMAGES (INCLUDING, WITHOUT LIMITATION, DAMAGES FOR LOSS AND PROFITS, BUSINESS INTERRUPTION, OR LOSS OF INFORMATION) ARISING OUT OF THE USE OR INABILITY TO USE THIS DOCUMENT, EVEN IF ATMEL HAS BEEN ADVISED OF THE POSSIBILITY OF SUCH DAMAGES. Atmel makes no representations or warranties with respect to the accuracy or completeness of the contents of this document and reserves the right to make changes to specifications and products descriptions at any time without notice. Atmel does not make any commitment to update the information contained herein. Unless specifically provided otherwise, Atmel products are not suitable for, and shall not be used in, automotive applications. Atmel products are not intended, authorized, or warranted for use as components in applications intended to support or sustain life.

Вы скачали этот файл с сайта «Сайт радиолюбителей»



## Другие разделы сайта

### Раздел БИБЛИОТЕКА

Книги для и журналы радиолюбителям

<http://radio-uchebnik.ru/library/>

### Раздел РАДИОСХЕМЫ

Различные схемы как для начинающих так и для профессионалов:

Схемы бытовой техники, телевизоров, мониторов, автомагнитол, музыкальных центров, и для самостоятельной сборки

<http://radio-uchebnik.ru/shem/>

### Раздел ФАЙЛОВОЕ ХРАНИЛИЩЕ

Различные файлы: Даташиты, схемы, прошивки и так далее

<http://radio-uchebnik.ru/downfiles/>

### Раздел РАДИОКОМПАС

Если Вы занимаетесь ремонтом электроники на профессиональном уровне- то Вы можете сообщить о себе.

<http://radio-uchebnik.ru/radiomap/>

### Раздел ДОСКА ОБЪЯВЛЕНИЙ

Здесь Вы можете разместить бесплатное объявление сроком до 120 дней (только радиотематика!!)

<http://radio-uchebnik.ru/ads/>

### Раздел СПРАВОЧНИК ПО МИКРОСХЕМАМ

Справочные данные на микросхемы импортного и отечественного производства

<http://radio-uchebnik.ru/microbase/>

### Раздел СТАТЬИ

Различные статьи радиолюбительской (и не только) тематики: секреты телемастера, практическая электроника, альтернативная энергия, расчеты по электронике, электронные устройства и так далее

<http://radio-uchebnik.ru/txt/>

### ФОРУМ НАШЕГО САЙТА

<http://radio-uchebnik.ru/forum/>