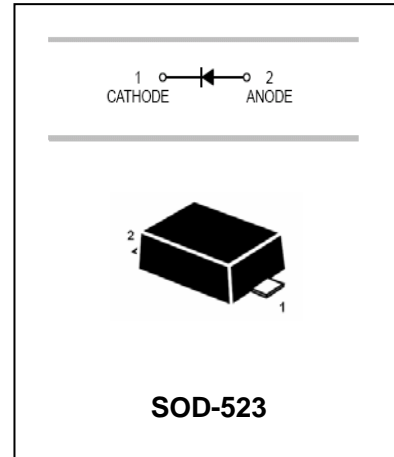


High speed Switching Diode

1SS400

FEATURES

- Extremely small surface mounting type.
- Small package.
- High speed and high reliability.



APPLICATIONS

- High speed switching.

ORDERING INFORMATION

Type No.	Marking	Package Code
1SS400	A	SOD-523

MAXIMUM RATING @ Ta=25°C unless otherwise specified

Parameter	Symbol	Limits	Unit
Peak reverse voltage	V_{RM}	90	V
DC Reverse voltage	V_R	80	V
Peak forward current(max.)	I_{FM}	225	mA
Forward output current	I_o	100	mA
Surge current(1s)	I_{surge}	0.5	A
Total power dissipation	P_{tot}	150	mW
Junction temperature	T_j	125	°C
Storage temperature	T_{stg}	-55-125	°C

ELECTRICAL CHARACTERISTICS @ Ta=25°C unless otherwise specified

Parameter	Symbol	Min.	Typ.	Max.	Unit	Conditions
Forward voltage	V_F			1.2	V	$I_F=100mA$
Reverse current	I_R			0.1	μA	$V_R=80V$
Diode capacitance	C_d		0.72	3.0	pF	$V_R=0.5V, f=1MHz$
Reverse recovery time	t_{rr}			4	ns	$V_R=6V, I_F=10mA, R_L=100\Omega$

High speed Switching Diode

1SS400

TYPICAL CHARACTERISTICS @ $T_a=25^\circ\text{C}$ unless otherwise specified

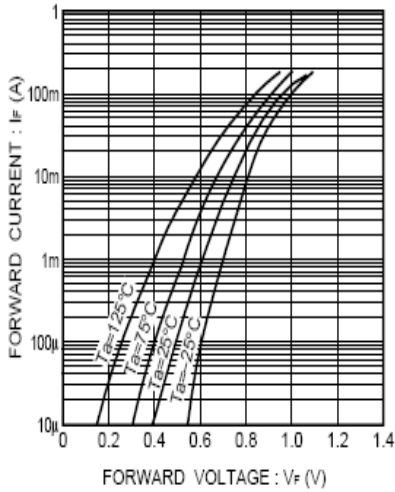


Fig.1 Forward characteristics

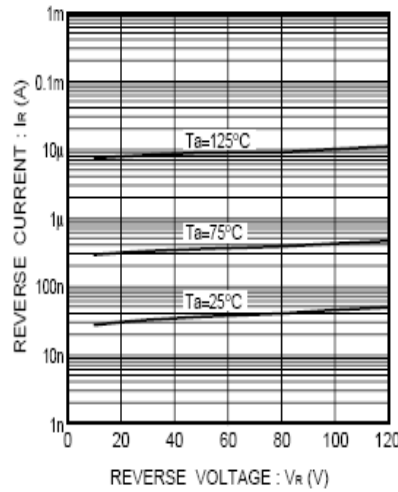


Fig.2 Reverse characteristics

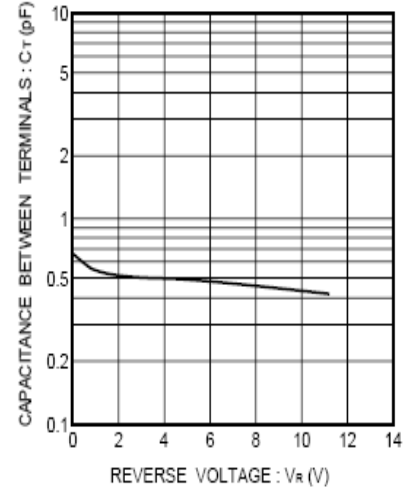


Fig.3 Capacitance between terminals

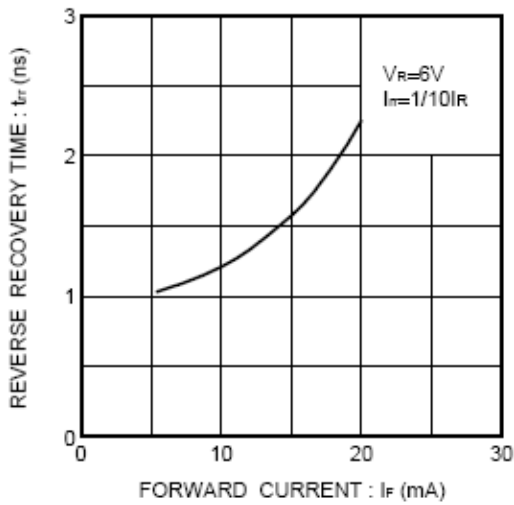


Fig.4 Reverse recovery time characteristics

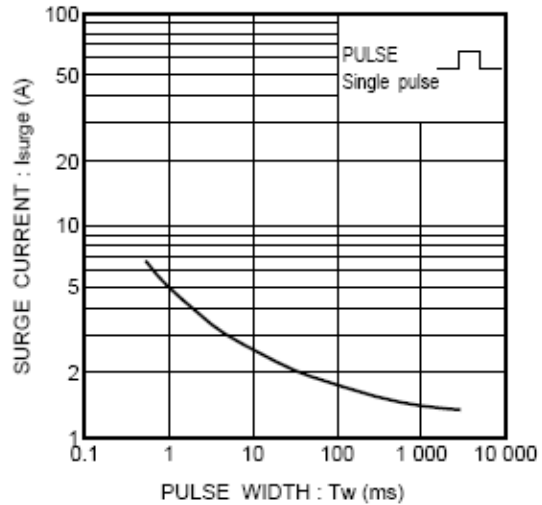


Fig.5 Surge current characteristics

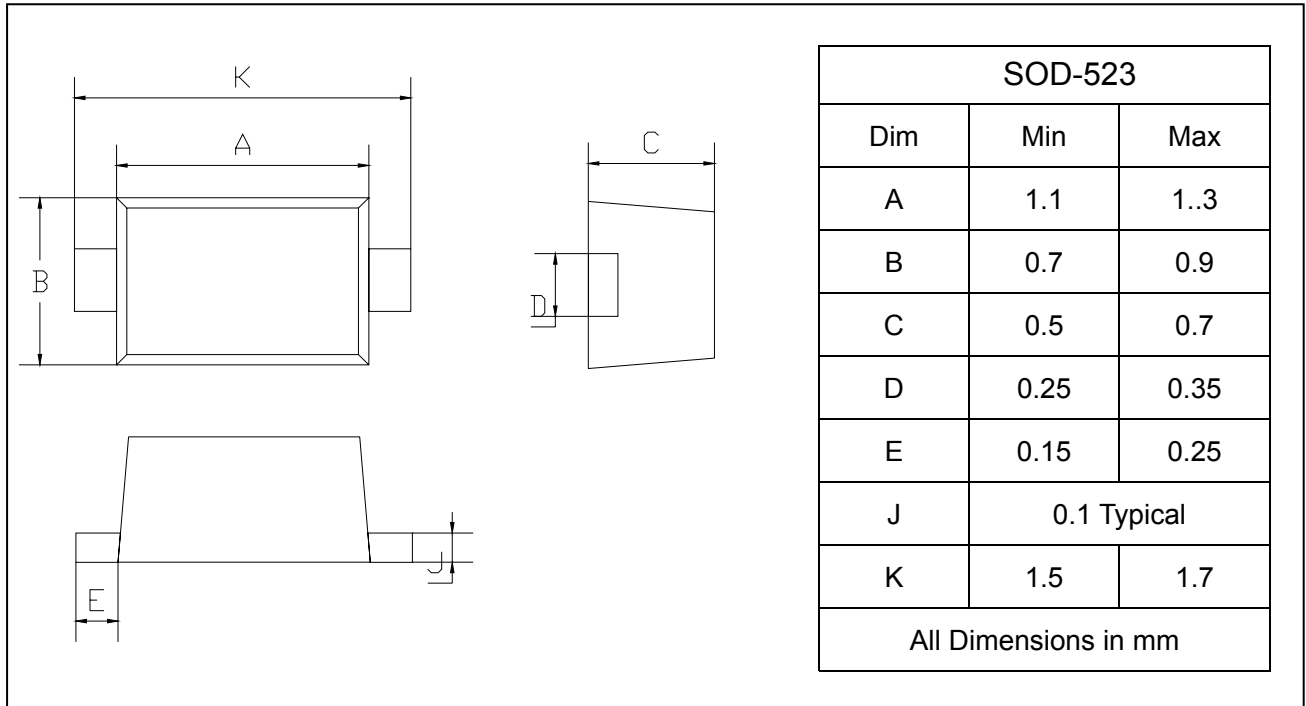
High speed Switching Diode

1SS400

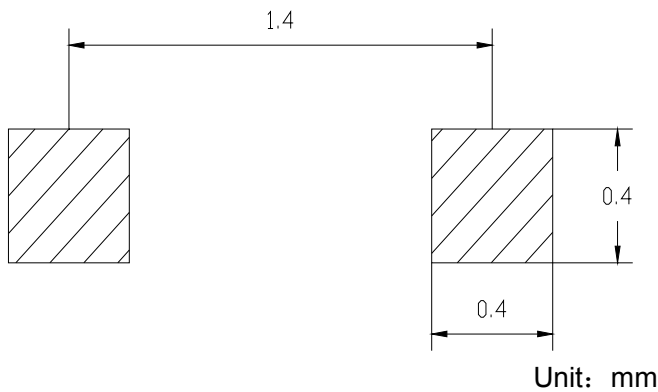
PACKAGE OUTLINE

Plastic surface mounted package

SOD-523



SOLDERING FOOTPRINT



PACKAGE INFORMATION

Device	Package	Shipping
1SS400	SOD-523	3000/Tape&Reel