



## 6.5MHz, 585 $\mu$ A, Rail-to-Rail I/O CMOS Operational Amplifier

### FEATURES

- **LOW OFFSET:** 5mV (max)
- **LOW  $I_B$ :** 10pA (max)
- **HIGH BANDWIDTH:** 6.5MHz
- **RAIL-TO-RAIL INPUT AND OUTPUT**
- **SINGLE SUPPLY:** +2.3V to +5.5V
- **SHUTDOWN:** OPAx373
- **SPECIFIED UP TO +125°C**
- **MicroSIZE PACKAGES:** SOT23-5, SOT23-6, and SOT23-8

### APPLICATIONS

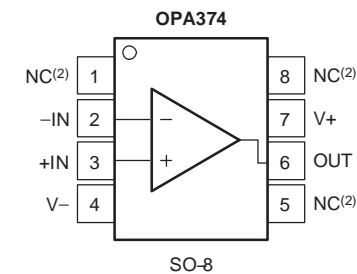
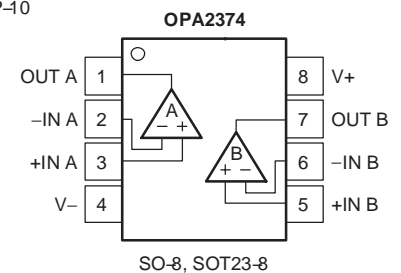
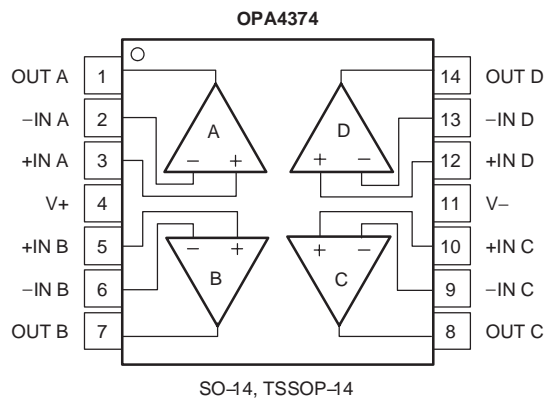
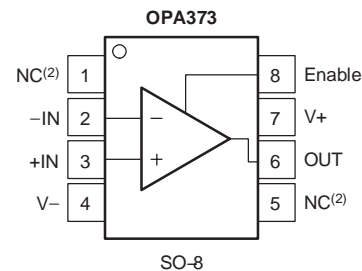
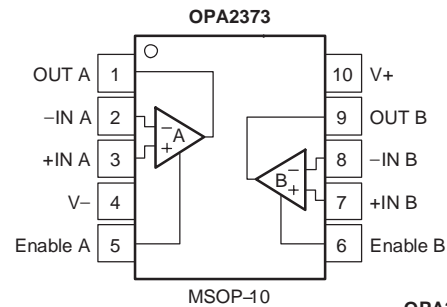
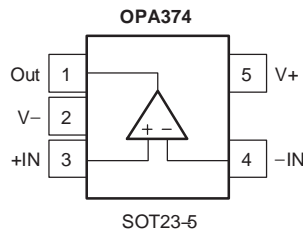
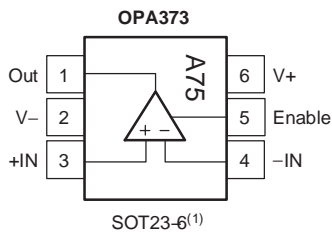
- **PORTABLE EQUIPMENT**
- **BATTERY-POWERED DEVICES**
- **ACTIVE FILTERS**
- **DRIVING A/D CONVERTERS**

### DESCRIPTION

The OPA373 and OPA374 families of operational amplifiers are low power and low cost with excellent bandwidth (6.5MHz) and slew rate (5V/ $\mu$ s). The input range extends 200mV beyond the rails and the output range is within 25mV of the rails. Their speed/power ratio and small size make them ideal for portable and battery-powered applications.

The OPA373 family includes a shutdown mode. Under logic control, the amplifiers can be switched from normal operation to a standby current that is less than 1 $\mu$ A.

The OPA373 and OPA374 families of operational amplifiers are specified for single or dual power supplies of +2.7V to +5.5V, with operation from +2.3V to +5.5V. All models are specified for -40°C to +125°C.



- (1) Pin 1 of the SOT23-6 is determined by orienting the package marking as shown.  
(2) NC indicates no internal connection.



Please be aware that an important notice concerning availability, standard warranty, and use in critical applications of Texas Instruments semiconductor products and disclaimers thereto appears at the end of this data sheet.

All trademarks are the property of their respective owners.

**PACKAGE/ORDERING INFORMATION(1)**

PRODUCT	PACKAGE-LEAD	PACKAGE DESIGNATOR	SPECIFIED TEMPERATURE RANGE	PACKAGE MARKING	ORDERING NUMBER	TRANSPORT MEDIA, QUANTITY
<b>Shutdown</b>						
OPA373	SOT23-6	DBV	-40°C to +125°C	A75	OPA373AIDBVT	Tape and Reel, 250
"	"	"	"	"	OPA373AIDBVR	Tape and Reel, 3000
OPA373	SO-8	D	-40°C to +125°C	OPA373A	OPA373AID	Rails, 100
"	"	"	"	"	OPA373AIDR	Tape and Reel, 2500
OPA2373	MSOP-10	DGS	-40°C to +125°C	AYO	OPA2373AIDGST	Tape and Reel, 250
"	"	"	"	"	OPA2373AIDGSR	Tape and Reel, 2500
<b>Non-Shutdown</b>						
OPA374	SOT23-5	DBV	-40°C to +125°C	A76	OPA374AIDBVT	Tape and Reel, 250
"	"	"	"	"	OPA374AIDBVR	Tape and Reel, 3000
OPA374	SO-8	D	-40°C to +125°C	OPA274A	OPA374AID	Rails, 100
"	"	"	"	"	OPA374AIDR	Tape and Reel, 2500
OPA2374	SOT23-8	DCN	-40°C to +125°C	ATP	OPA2374AIDCNT	Tape and Reel, 250
"	"	"	"	"	OPA2374AIDCNR	Tape and Reel, 3000
OPA2374	SO-8	D	-40°C to +125°C	OPA2374A	OPA2374AID	Rails, 100
"	"	"	"	"	OPA2374AIDR	Tape and Reel, 2500
OPA4374	SO-14	D	-40°C to +125°C	OPA4374A	OPA4374AID	Rails, 58
"	"	"	"	"	OPA4374AIDR	Tape and Reel, 2500
OPA4374	TSSOP-14	PW	-40°C to +125°C	OPA4374A	OPA4374AIPWT	Tape and Reel, 250
"	"	"	"	"	OPA4374AIPWR	Tape and Reel, 2500

(1) For the most current package and ordering information, see the Package Option Addendum located at the end of this datasheet.

**ABSOLUTE MAXIMUM RATINGS(1)**

Supply Voltage	+7.0V
Signal Input Terminals, Voltage(2)	-0.5V to (V+) + 0.5V
Current(2)	±10mA
Output Short-Circuit(3)	Continuous
Operating Temperature	-55°C to +150°C
Storage Temperature	-65°C to +150°C
Junction Temperature	+150°C
Lead Temperature (soldering, 10s)	+300°C

- (1) Stresses above these ratings may cause permanent damage. Exposure to absolute maximum conditions for extended periods may degrade device reliability. These are stress ratings only, and functional operation of the device at these or any other conditions beyond those specified is not implied.
- (2) Input terminals are diode-clamped to the power-supply rails. Input signals that can swing more than 0.5V beyond the supply rails should be current-limited to 10mA or less.
- (3) Short-circuit to ground, one amplifier per package.



This integrated circuit can be damaged by ESD. Texas Instruments recommends that all integrated circuits be handled with appropriate precautions. Failure to observe proper handling and installation procedures can cause damage.

ESD damage can range from subtle performance degradation to complete device failure. Precision integrated circuits may be more susceptible to damage because very small parametric changes could cause the device not to meet its published specifications.

**ELECTRICAL CHARACTERISTICS:  $V_S = +2.7V$  to  $+5.5V$**

**Boldface** limits apply over the specified temperature range,  $T_A = -40^\circ C$  to  $+125^\circ C$ .

At  $T_A = +25^\circ C$ ,  $R_L = 10k\Omega$  connected to  $V_S/2$ , and  $V_{OUT} = V_S/2$ , unless otherwise noted.

PARAMETER	CONDITIONS	OPA373, OPA2373, OPA374, OPA2374, OPA4374			UNIT
		MIN	TYP	MAX	
<b>OFFSET VOLTAGE</b>					
Input Offset Voltage <b>over Temperature</b>	$V_{OS}$ $V_S = 5V$		1	5	mV
Drift <b>vs Power Supply</b> <b>over Temperature</b>	$dV_{OS}/dT$ PSRR $V_S = 2.7V$ to $5.5V$ , $V_{CM} < (V+) - 2V$ <b><math>V_S = 2.7V</math> to <math>5.5V</math>, <math>V_{CM} &lt; (V+) - 2V</math></b>		3 25	6.5 100	mV $\mu V/^\circ C$ $\mu V/V$ <b><math>\mu V/V</math></b>
Channel Separation, DC $f = 1kHz$			0.4 128		$\mu V/V$ dB
<b>INPUT VOLTAGE RANGE</b>					
Common-Mode Voltage Range	$V_{CM}$ $(V-) - 0.2V < V_{CM} < (V+) - 2V$	$(V-) - 0.2$		$(V+) + 0.2$	V
Common-Mode Rejection Ratio <b>over Temperature</b>	CMRR $(V-) - 0.2V < V_{CM} < (V+) - 2V$ <b><math>(V-) - 0.2V &lt; V_{CM} &lt; (V+) - 2V</math></b> $V_S = 5.5V$ , $(V-) - 0.2V < V_{CM} < (V+) + 0.2V$ <b><math>V_S = 5.5V</math>, <math>(V-) - 0.2V &lt; V_{CM} &lt; (V+) + 0.2V</math></b>	80 <b>70</b> 66 60	90		dB <b>dB</b> dB <b>dB</b>
<b>INPUT BIAS CURRENT</b>					
Input Bias Current	$I_B$		$\pm 0.5$	$\pm 10$	pA
Input Offset Current	$I_{OS}$		$\pm 0.5$	$\pm 10$	pA
<b>INPUT IMPEDANCE</b>					
Differential			$10^{13}    3$		$\Omega    pF$
Common-Mode			$10^{13}    6$		$\Omega    pF$
<b>NOISE</b>					
Input Voltage Noise, $f = 0.1Hz$ to $10Hz$	$V_{CM} < (V+) - 2V$		10		$\mu V_{PP}$
Input Voltage Noise Density, $f = 10kHz$	$e_n$		15		$nV/\sqrt{Hz}$
Input Current Noise Density, $f = 10kHz$	$i_n$		4		$fA/\sqrt{Hz}$
<b>OPEN-LOOP GAIN</b>					
Open-Loop Voltage Gain <b>over Temperature</b>	$A_{OL}$ $V_S = 5V$ , $R_L = 100k\Omega$ , $0.025V < V_O < 4.975V$ <b><math>V_S = 5V</math>, <math>R_L = 100k\Omega</math>, <math>0.025V &lt; V_O &lt; 4.975V</math></b> $V_S = 5V$ , $R_L = 5k\Omega$ , $0.125V < V_O < 4.875V$ <b><math>V_S = 5V</math>, <math>R_L = 5k\Omega</math>, <math>0.125V &lt; V_O &lt; 4.875V</math></b>	94 <b>80</b> 94 <b>80</b>	110  106		dB <b>dB</b> dB <b>dB</b>
<b>OUTPUT</b>					
Voltage Output Swing from Rail <b>over Temperature</b>	$R_L = 100k\Omega$ <b><math>R_L = 100k\Omega</math></b> $R_L = 5k\Omega$ <b><math>R_L = 5k\Omega</math></b>		18  100	25 <b>25</b> 125 <b>125</b>	mV <b>mV</b> mV <b>mV</b>
Short-Circuit Current	$I_{SC}$		See Typical Characteristics		
Capacitive Load Drive	$C_{LOAD}$		See Typical Characteristics		
Open-Loop Output Impedance	$f = 1MHz$ , $I_O = 0$		220		$\Omega$
<b>FREQUENCY RESPONSE</b>					
Gain-Bandwidth Product	GBW $C_L = 100pF$		6.5		MHz
Slew Rate	SR $G = +1$		5		V/ $\mu s$
Settling Time, 0.1%	$t_s$ $V_S = 5V$ , 2V Step, $G = +1$		1		$\mu s$
0.01%	$V_S = 5V$ , 2V Step, $G = +1$		1.5		$\mu s$
Overload Recovery Time	$V_{IN} \bullet Gain > V_S$		0.3		$\mu s$
Total Harmonic Distortion + Noise	THD+N $V_S = 5V$ , $V_O = 3V_{PP}$ , $G = +1$ , $f = 1kHz$		0.0013		%
<b>ENABLE/SHUTDOWN</b>					
$t_{OFF}$			3		$\mu s$
$t_{ON}$			12		$\mu s$
$V_L$ (shutdown)		$V-$		$(V-) + 0.8$	V
$V_H$ (amplifier is active)		$(V-) + 2$		$V+$	V
Input Bias Current of Enable Pin			0.2		$\mu A$
$I_{QSD}$ (per amplifier)			< 0.5	1	$\mu A$

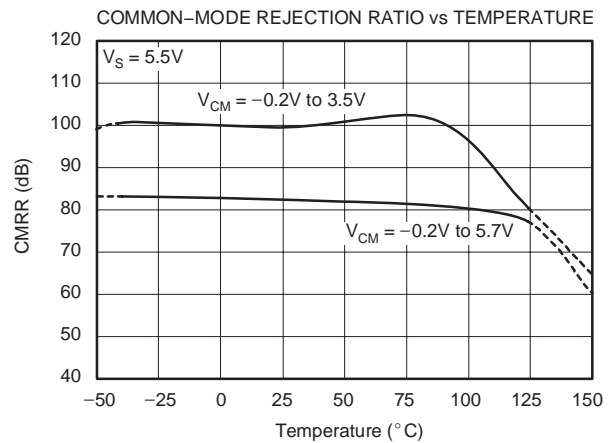
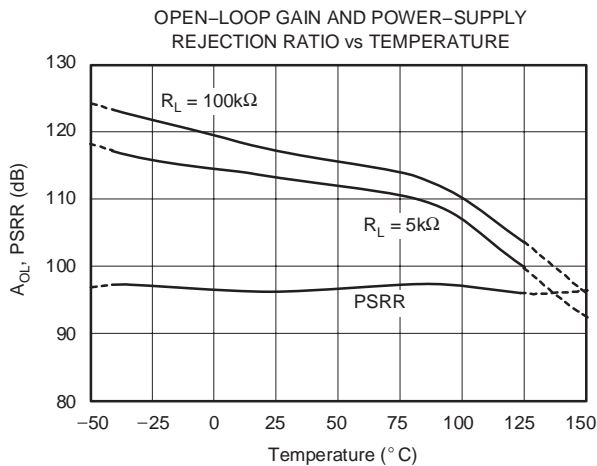
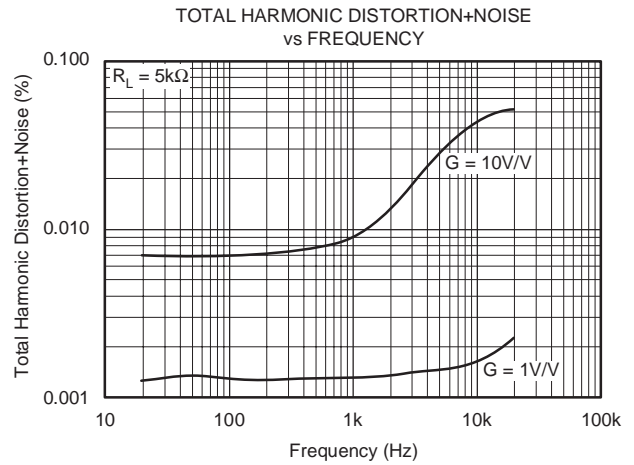
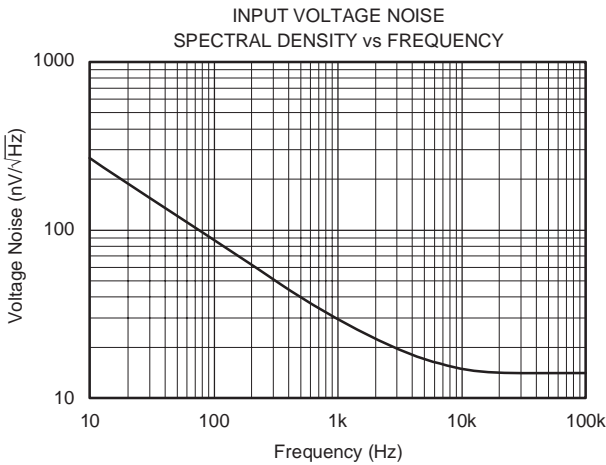
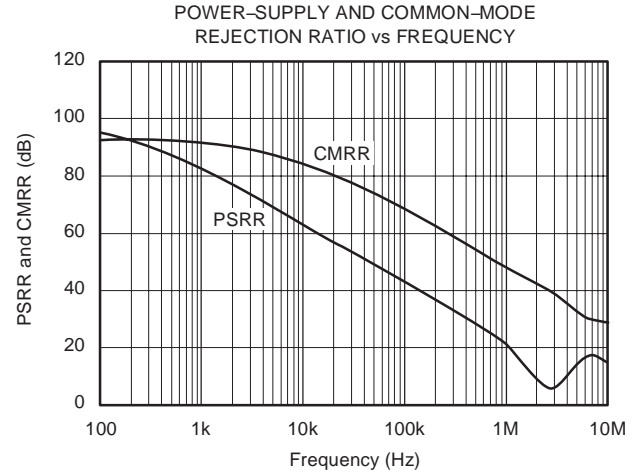
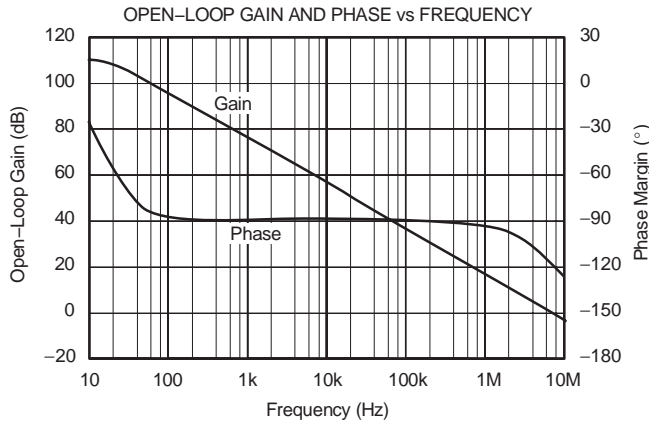
**ELECTRICAL CHARACTERISTICS:  $V_S = +2.7V$  to  $+5.5V$  (continued)**  
**Boldface** limits apply over the specified temperature range,  $T_A = -40^\circ C$  to  $+125^\circ C$ .

At  $T_A = +25^\circ C$ ,  $R_L = 10k\Omega$  connected to  $V_S/2$ , and  $V_{OUT} = V_S/2$ , unless otherwise noted.

PARAMETER	CONDITIONS	OPA373, OPA2373, OPA374, OPA2374, OPA4374			UNIT
		MIN	TYP	MAX	
<b>POWER SUPPLY</b>					
Specified Voltage Range	$V_S$	2.7		5.5	V
Operating Voltage Range			2.3 to 5.5		V
Quiescent Current (per amplifier) over Temperature	$I_Q$		585	750 <b>800</b>	$\mu A$ $\mu A$
<b>TEMPERATURE RANGE</b>					
Specified Range		-40		+125	$^\circ C$
Operating Range		-55		+150	$^\circ C$
Storage Range		-65		+150	$^\circ C$
Thermal Resistance	$\theta_{JA}$				$^\circ C/W$
SOT23-5, SOT23-6, SOT23-8			+200		$^\circ C/W$
MSOP-10, SO-8			+150		$^\circ C/W$
SO-14, TSSOP-14			+100		$^\circ C/W$

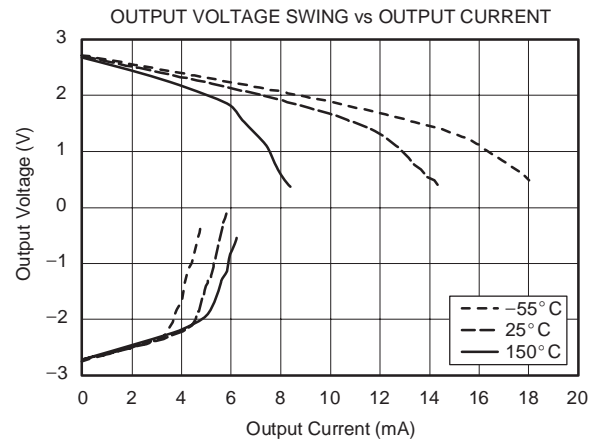
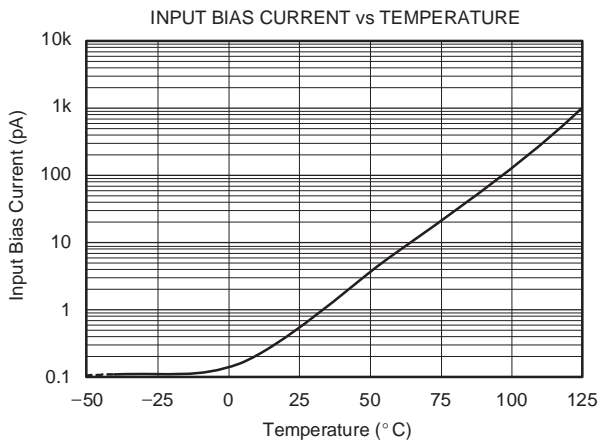
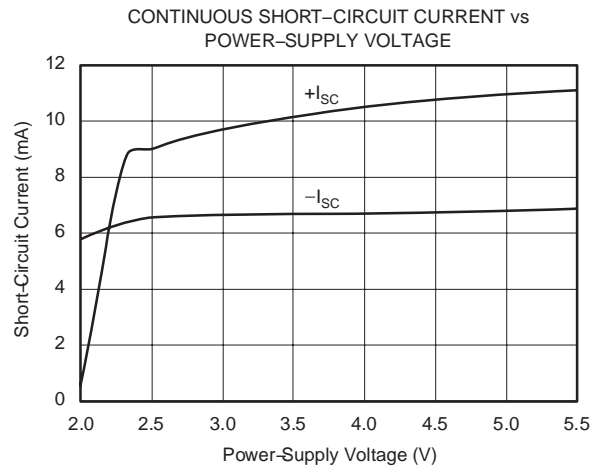
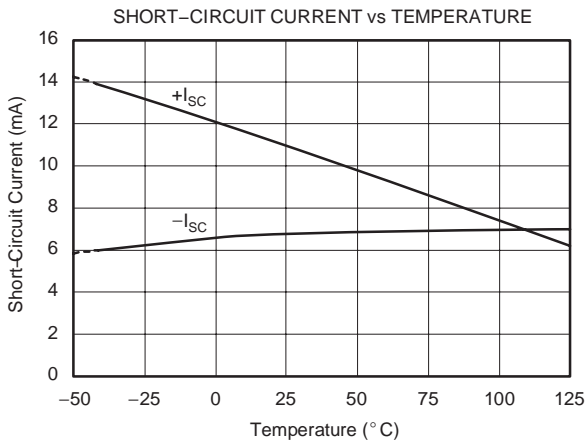
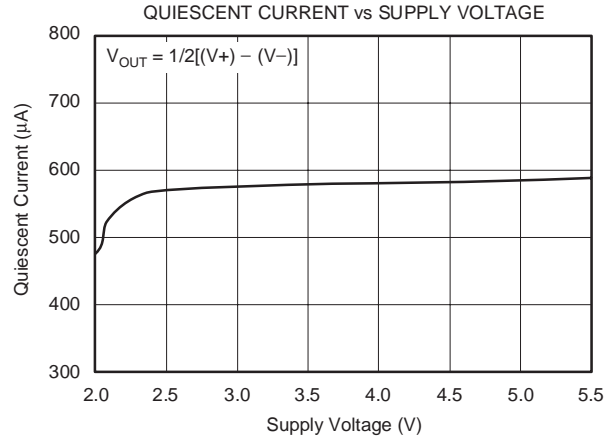
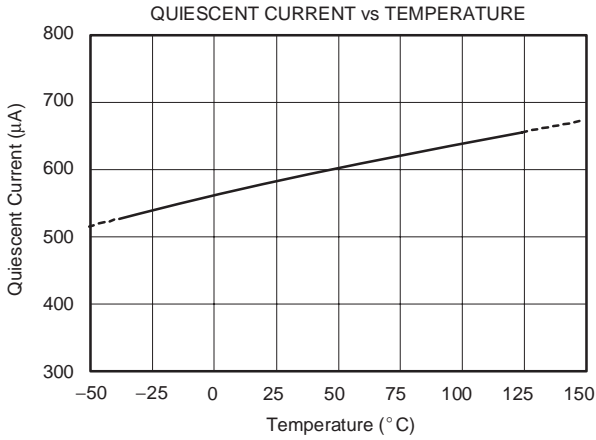
## TYPICAL CHARACTERISTICS

At  $T_A = +25^\circ\text{C}$ ,  $R_L = 10\text{k}\Omega$  connected to  $V_S/2$ , and  $V_{OUT} = V_S/2$ , unless otherwise noted.



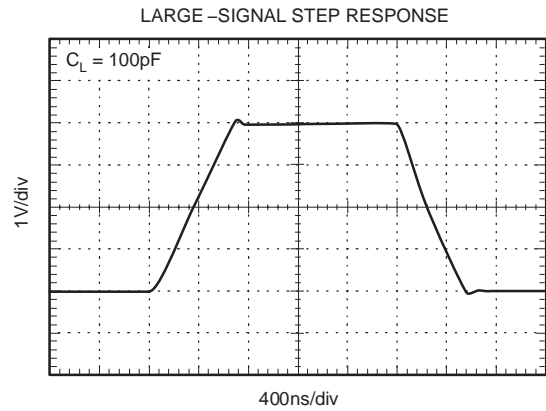
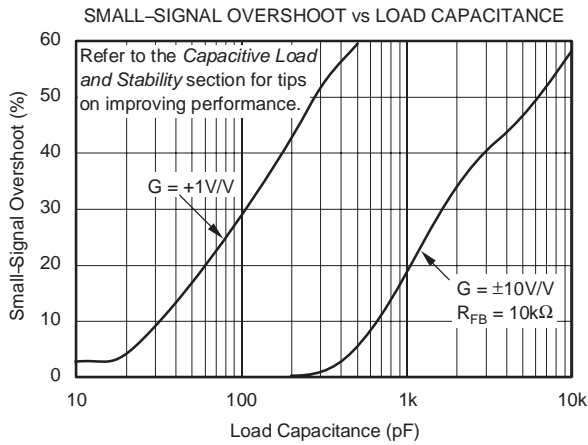
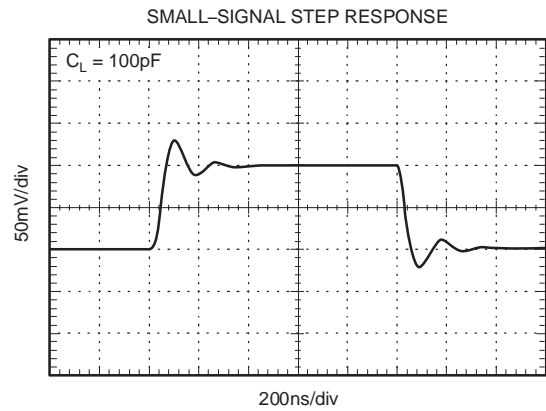
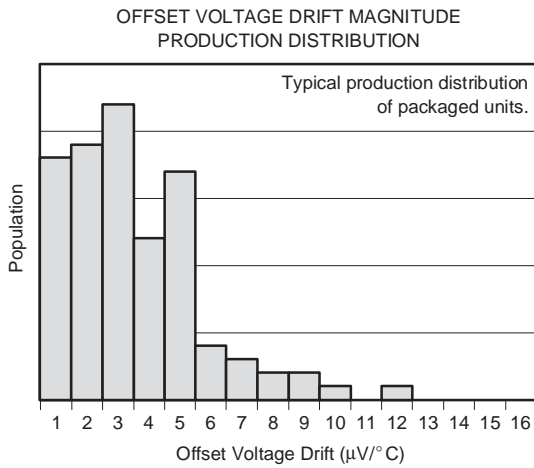
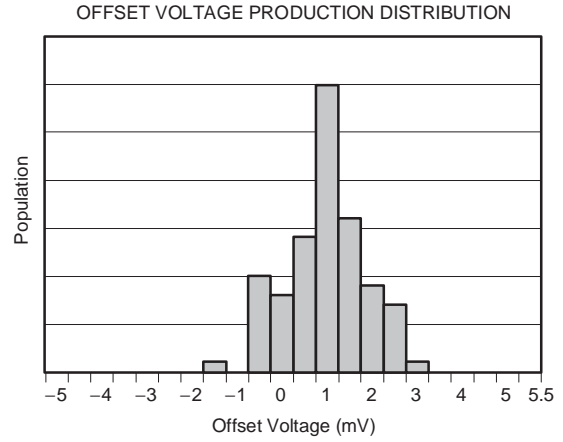
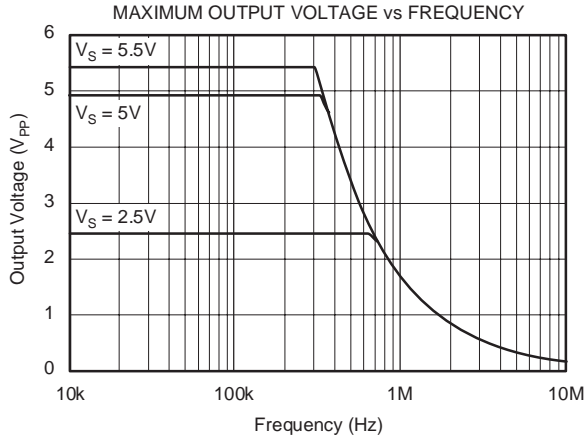
**TYPICAL CHARACTERISTICS (continued)**

At  $T_A = +25^\circ\text{C}$ ,  $R_L = 10\text{k}\Omega$  connected to  $V_S/2$ , and  $V_{OUT} = V_S/2$ , unless otherwise noted.



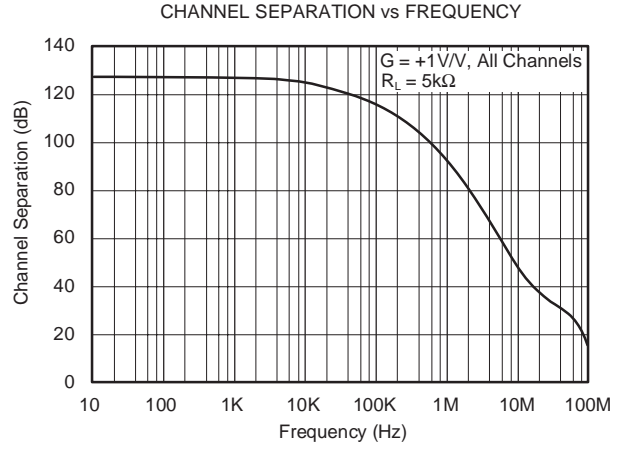
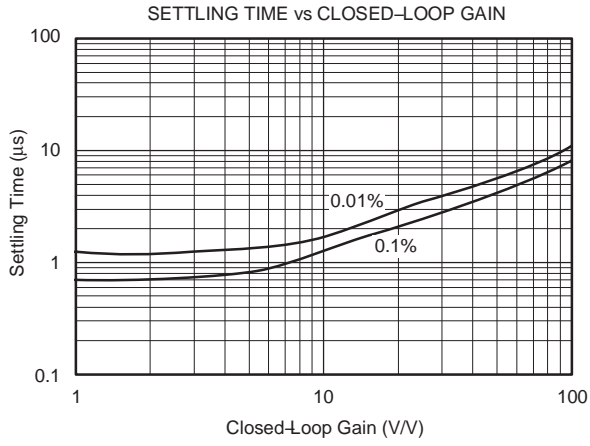
## TYPICAL CHARACTERISTICS (continued)

At  $T_A = +25^\circ\text{C}$ ,  $R_L = 10\text{k}\Omega$  connected to  $V_S/2$ , and  $V_{OUT} = V_S/2$ , unless otherwise noted.



**TYPICAL CHARACTERISTICS (continued)**

At  $T_A = +25^\circ\text{C}$ ,  $R_L = 10\text{k}\Omega$  connected to  $V_S/2$ , and  $V_{OUT} = V_S/2$ , unless otherwise noted.





## APPLICATIONS

The OPA373 and OPA374 series op amps are unity-gain stable and suitable for a wide range of general-purpose applications. Rail-to-rail input and output make them ideal for driving sampling Analog-to-Digital Converters (ADCs). Excellent AC performance makes them well suited for audio applications. The class AB output stage is capable of driving 100kΩ loads connected to any point between V+ and ground.

The input common-mode voltage range includes both rails, allowing the OPA373 and OPA374 series op amps to be used in virtually any single-supply application up to a supply voltage of +5.5V.

Rail-to-rail input and output swing significantly increases dynamic range, especially in low-supply applications.

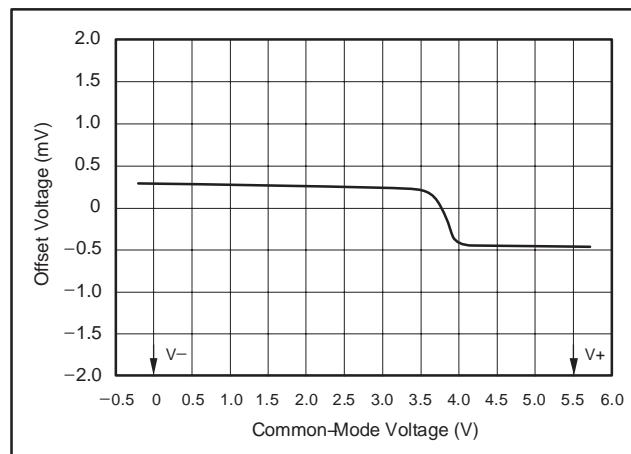
Power-supply pins should be bypassed with 0.01μF ceramic capacitors.

## OPERATING VOLTAGE

The OPA373 and OPA374 op amps are specified and tested over a power-supply range of +2.7V to +5.5V ( $\pm 1.35V$  to  $\pm 2.75V$ ). However, the supply voltage may range from +2.3V to +5.5V ( $\pm 1.15V$  to  $\pm 2.75V$ ). Supply voltages higher than 7.0V (absolute maximum) can permanently damage the amplifier. Parameters that vary over supply voltage or temperature are shown in the Typical Characteristics section of this data sheet.

## COMMON-MODE VOLTAGE RANGE

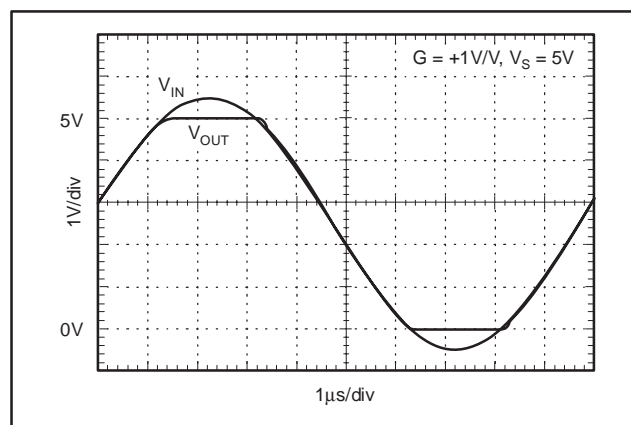
The input common-mode voltage range of the OPA373 and OPA374 series extends 200mV beyond the supply rails. This is achieved with a complementary input stage—an N-channel input differential pair in parallel with a P-channel differential pair. The N-channel pair is active for input voltages close to the positive rail, typically  $(V+) - 1.65V$  to 200mV above the positive supply, while the P-channel pair is on for inputs from 200mV below the negative supply to approximately  $(V+) - 1.65V$ . There is a 500mV transition region, typically  $(V+) - 1.9V$  to  $(V+) - 1.4V$ , in which both pairs are on. This 500mV transition region, shown in Figure 1, can vary  $\pm 300mV$  with process variation. Thus, the transition region (both stages on) can range from  $(V+) - 2.2V$  to  $(V+) - 1.7V$  on the low end, up to  $(V+) - 1.6V$  to  $(V+) - 1.1V$  on the high end. Within the 500mV transition region PSRR, CMRR, offset voltage, offset drift, and THD may be degraded compared to operation outside this region.



**Figure 1. Behavior of Typical Transition Region at Room Temperature**

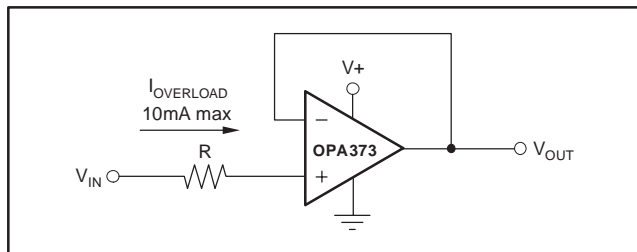
## RAIL-TO-RAIL INPUT

The input common-mode range extends from  $(V-) - 0.2V$  to  $(V+) + 0.2V$ . For normal operation, inputs should be limited to this range. The absolute maximum input voltage is 500mV beyond the supplies. Inputs greater than the input common-mode range but less than the maximum input voltage, while not valid, will not cause any damage to the op amp. Unlike some other op amps, if input current is limited, the inputs may go beyond the supplies without phase inversion, as shown in Figure 2.



**Figure 2. OPA373: No Phase Inversion with Inputs Greater Than the Power-Supply Voltage**

Normally, input bias current is approximately 500fA; however, input voltages exceeding the power supplies by more than 500mV can cause excessive current to flow in or out of the input pins. Momentary voltages greater than 500mV beyond the power supply can be tolerated if the current on the input pins is limited to 10mA. This is easily accomplished with an input resistor; see Figure 3. (Many input signals are inherently current-limited to less than 10mA, therefore, a limiting resistor is not required.)



**Figure 3. Input Current Protection for Voltages Exceeding the Supply Voltage**

### RAIL-TO-RAIL OUTPUT

A class AB output stage with common-source transistors is used to achieve rail-to-rail output. For light resistive loads ( $> 100\text{k}\Omega$ ), the output voltage can typically swing to within 18mV from the supply rails. With moderate resistive loads ( $5\text{k}\Omega$  to  $50\text{k}\Omega$ ), the output can typically swing to within 100mV from the supply rails and maintain high open-loop gain. See the Typical Characteristics curve, *Output Voltage Swing vs Output Current*, for more information.

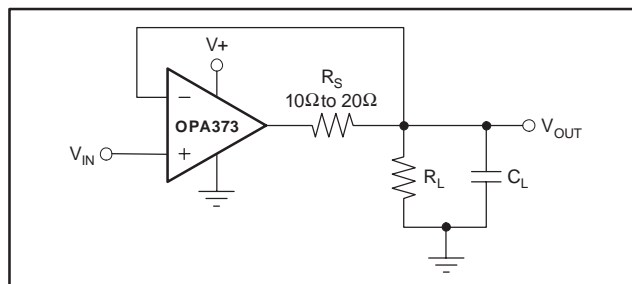
### CAPACITIVE LOAD AND STABILITY

OPA373 series op amps can drive a wide range of capacitive loads. However, under certain conditions, all op amps may become unstable. Op amp configuration, gain, and load value are just a few of the factors to consider when determining stability. An op amp in unity-gain configuration is the most susceptible to the effects of capacitive load. The capacitive load reacts with the op amp output resistance, along with any additional load resistance, to create a pole in the small-signal response that degrades the phase margin. The OPA373 series op amps perform well in unity-gain configuration, with a pure capacitive load up to approximately 250pF. Increased gains allow the amplifier to drive more capacitance. See the Typical Characteristics curve, *Small-Signal Overshoot vs Capacitive Load*, for further details.

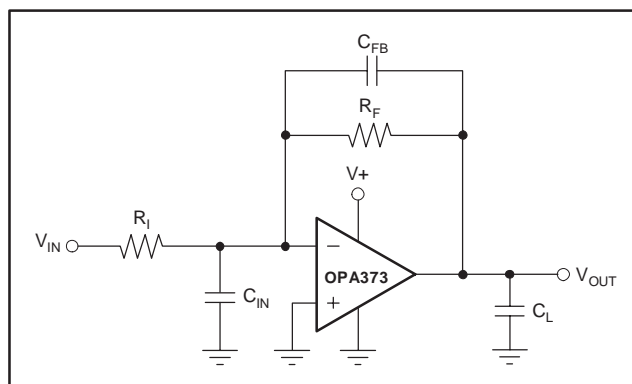
One method of improving capacitive load drive in the unity-gain configuration is to insert a small ( $10\Omega$  to  $20\Omega$ ) resistor,  $R_S$ , in series with the output, as shown in Figure 4. This significantly reduces ringing while maintaining DC performance for purely capacitive loads. When there is a resistive load in parallel with the capacitive load,  $R_S$  must be placed within the feedback loop as shown to allow the feedback loop to compensate for the voltage divider created by  $R_S$  and  $R_L$ .

In unity-gain inverter configuration, phase margin can be reduced by the reaction between the capacitance at the op amp input and the gain setting resistors, thus degrading capacitive load drive. Best performance is achieved by using small valued resistors. However, when large valued resistors cannot be avoided, a small ( $4\text{pF}$  to  $6\text{pF}$ )

capacitor,  $C_{FB}$ , can be inserted in the feedback, as shown in Figure 5. This significantly reduces overshoot by compensating the effect of capacitance,  $C_{IN}$ , which includes the amplifier input capacitance and PC board parasitic capacitance.

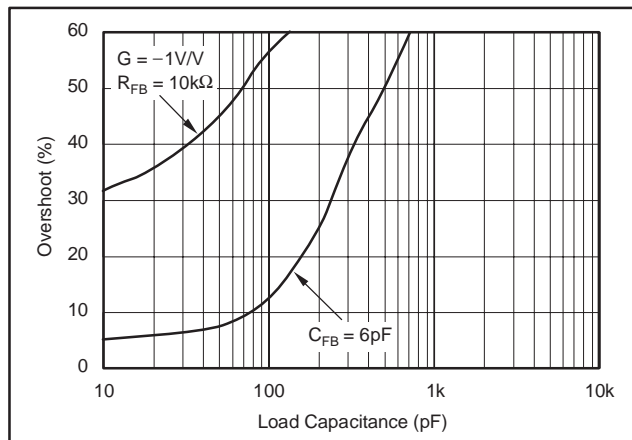


**Figure 4. Series Resistor in Unity-Gain Configuration Improves Capacitive Load Drive**



**Figure 5. Improving Capacitive Load Drive**

For example, when driving a 100pF load in unity-gain inverter configuration, adding a 6pF capacitor in parallel with the 10kΩ feedback resistor decreases overshoot from 57% to 12%, as shown in Figure 6.



**Figure 6. Improving Capacitive Load Drive**

## DRIVING ADCs

The OPA373 and OPA374 series op amps are optimized for driving medium-speed sampling ADCs. The OPA373 and OPA374 op amps buffer the ADC input capacitance and resulting charge injection, while providing signal gain.

The OPA373 is shown driving the ADS7816 in a basic noninverting configuration, as shown in Figure 7. The ADS7816 is a 12-bit, *MicroPower* sampling converter in the MSOP-8 package. When used with the low-power, miniature packages of the OPA373, the combination is ideal for space-limited, low-power applications. In this configuration, an RC network at the ADC input can be used to provide anti-aliasing filtering.

Figure 8 shows the OPA373 driving the ADS7816 in a speech band-pass filtered data acquisition system. This small, low-cost solution provides the necessary amplification and signal conditioning to interface directly with an electret microphone. This circuit will operate with  $V_S = 2.7V$  to  $5V$ .

The OPA373 is shown in the inverting configuration described in Figure 9. In this configuration, filtering may be accomplished with the capacitor across the feedback resistor.

## ENABLE/SHUTDOWN

OPA373 and OPA374 series op amps typically require  $585\mu A$  quiescent current. The enable/shutdown feature of the OPA373 allows the op amp to be shut off in order to reduce this current to less than  $1\mu A$ .

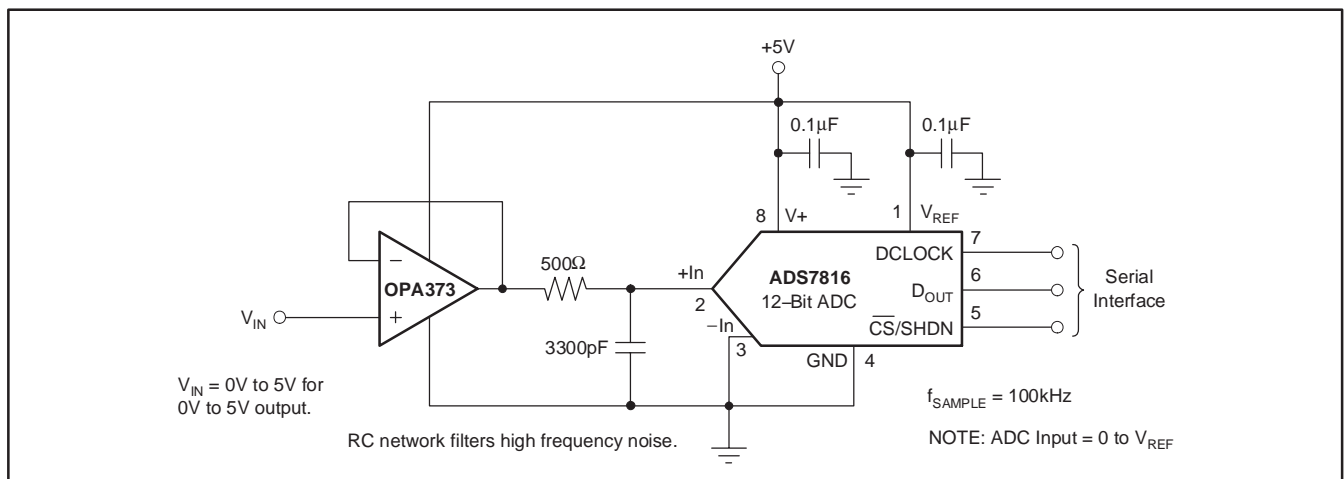


Figure 7. The OPA373 in Noninverting Configuration Driving the ADS7816

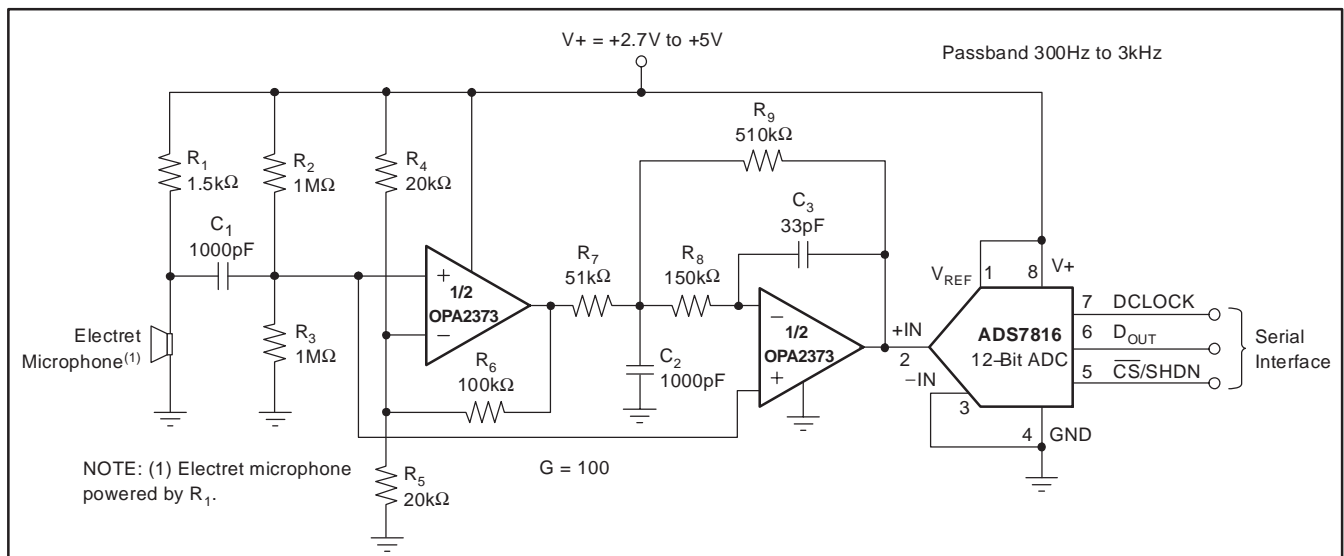


Figure 8. The OPA2373 as a Speech Bypass Filtered Data Acquisition System

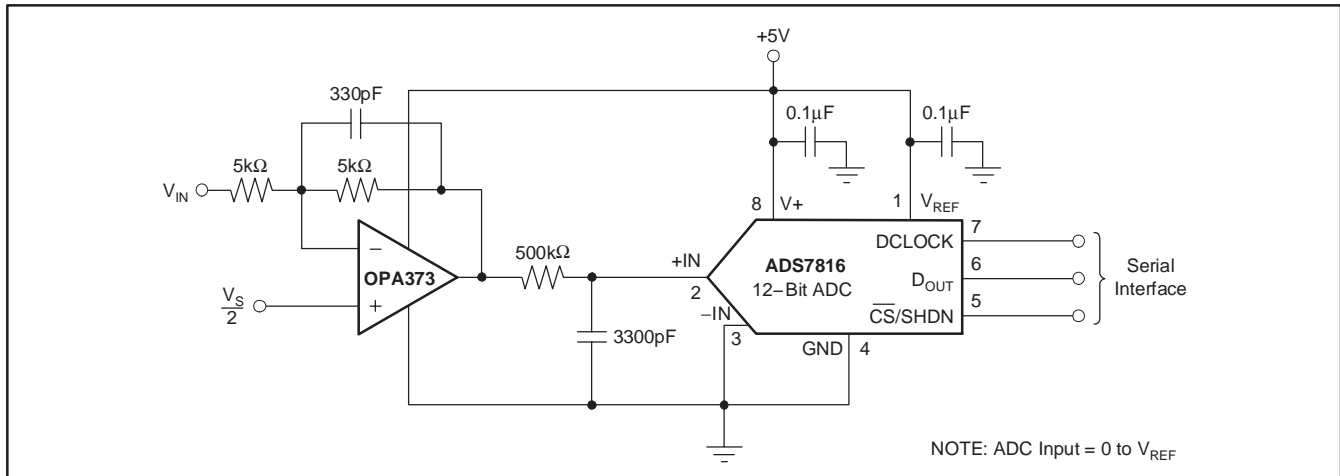


Figure 9. The OPA373 in Inverting Configuration Driving the ADS7816

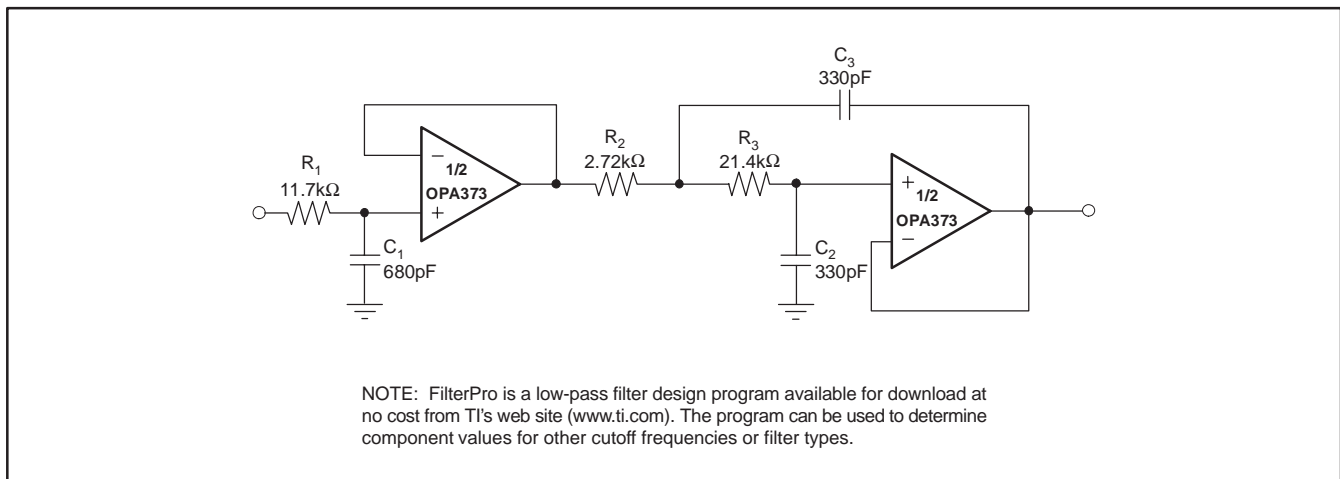


Figure 10. Three-Pole Sallen-Key Butterworth Low-Pass Filter

**PACKAGING INFORMATION**

Orderable Device	Status <sup>(1)</sup>	Package Type	Package Drawing	Pins	Package Qty	Eco Plan <sup>(2)</sup>	Lead/Ball Finish	MSL Peak Temp <sup>(3)</sup>
OPA2373AIDGSR	ACTIVE	MSOP	DGS	10	3000	TBD	CU NIPDAU	Level-3-235C-168 HR
OPA2373AIDGST	ACTIVE	MSOP	DGS	10	250	TBD	CU NIPDAU	Level-3-235C-168 HR
OPA2374AID	ACTIVE	SOIC	D	8	100	TBD	CU NIPDAU	Level-3-240C-168 HR
OPA2374AIDCNR	ACTIVE	SOT23	DCN	8	3000	TBD	CU SNPB	Level-3-220C-168 HR
OPA2374AIDCNT	ACTIVE	SOT23	DCN	8	250	TBD	CU SNPB	Level-3-220C-168 HR
OPA2374AIDR	ACTIVE	SOIC	D	8	2500	TBD	CU NIPDAU	Level-1-240C-UNLIM
OPA373AID	ACTIVE	SOIC	D	8	100	TBD	CU NIPDAU	Level-1-240C-UNLIM
OPA373AIDBVR	ACTIVE	SOT-23	DBV	6	3000	TBD	CU NIPDAU	Level-3-250C-168 HR
OPA373AIDBVT	ACTIVE	SOT-23	DBV	6	250	TBD	CU NIPDAU	Level-3-250C-168 HR
OPA373AIDR	ACTIVE	SOIC	D	8	2500	TBD	CU NIPDAU	Level-1-240C-UNLIM
OPA374AID	ACTIVE	SOIC	D	8	100	TBD	CU NIPDAU	Level-2-220C-1 YEAR
OPA374AIDBVR	ACTIVE	SOT-23	DBV	5	3000	TBD	CU NIPDAU	Level-3-250C-168 HR
OPA374AIDBVT	ACTIVE	SOT-23	DBV	5	250	TBD	CU NIPDAU	Level-3-250C-168 HR
OPA374AIDR	ACTIVE	SOIC	D	8	2500	TBD	CU NIPDAU	Level-2-220C-1 YEAR
OPA4374AID	ACTIVE	SOIC	D	14	58	TBD	CU NIPDAU	Level-1-220C-UNLIM
OPA4374AIDR	ACTIVE	SOIC	D	14	2500	TBD	CU NIPDAU	Level-1-220C-UNLIM
OPA4374AIPWR	ACTIVE	TSSOP	PW	14	2500	TBD	CU NIPDAU	Level-1-220C-UNLIM
OPA4374AIPWT	ACTIVE	TSSOP	PW	14	250	TBD	CU NIPDAU	Level-1-220C-UNLIM

<sup>(1)</sup> The marketing status values are defined as follows:

**ACTIVE:** Product device recommended for new designs.

**LIFEBUY:** TI has announced that the device will be discontinued, and a lifetime-buy period is in effect.

**NRND:** Not recommended for new designs. Device is in production to support existing customers, but TI does not recommend using this part in a new design.

**PREVIEW:** Device has been announced but is not in production. Samples may or may not be available.

**OBSOLETE:** TI has discontinued the production of the device.

<sup>(2)</sup> Eco Plan - The planned eco-friendly classification: Pb-Free (RoHS) or Green (RoHS & no Sb/Br) - please check <http://www.ti.com/productcontent> for the latest availability information and additional product content details.

**TBD:** The Pb-Free/Green conversion plan has not been defined.

**Pb-Free (RoHS):** TI's terms "Lead-Free" or "Pb-Free" mean semiconductor products that are compatible with the current RoHS requirements for all 6 substances, including the requirement that lead not exceed 0.1% by weight in homogeneous materials. Where designed to be soldered at high temperatures, TI Pb-Free products are suitable for use in specified lead-free processes.

**Green (RoHS & no Sb/Br):** TI defines "Green" to mean Pb-Free (RoHS compatible), and free of Bromine (Br) and Antimony (Sb) based flame retardants (Br or Sb do not exceed 0.1% by weight in homogeneous material)

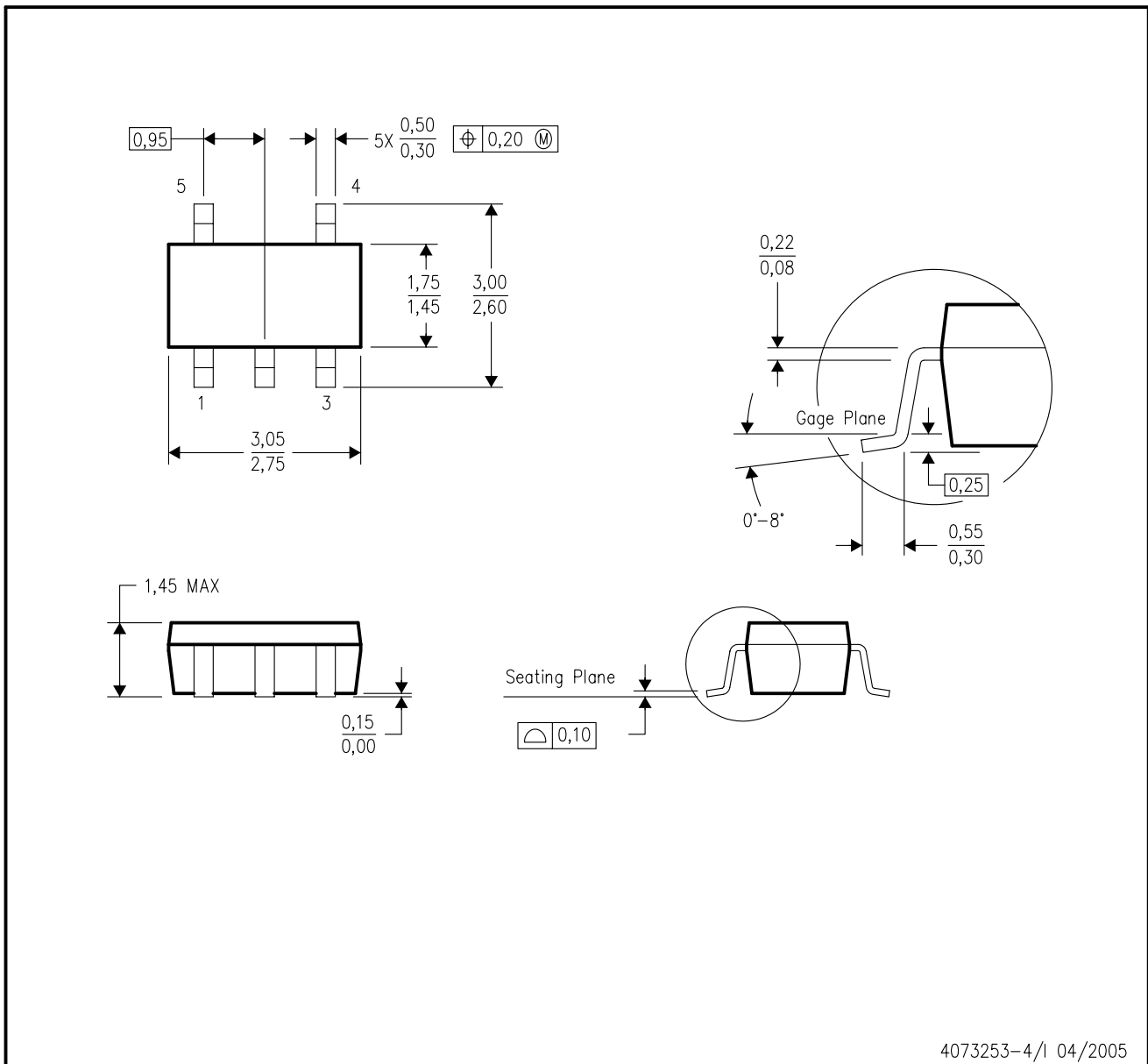
<sup>(3)</sup> MSL, Peak Temp. -- The Moisture Sensitivity Level rating according to the JEDEC industry standard classifications, and peak solder temperature.

**Important Information and Disclaimer:** The information provided on this page represents TI's knowledge and belief as of the date that it is provided. TI bases its knowledge and belief on information provided by third parties, and makes no representation or warranty as to the accuracy of such information. Efforts are underway to better integrate information from third parties. TI has taken and continues to take reasonable steps to provide representative and accurate information but may not have conducted destructive testing or chemical analysis on incoming materials and chemicals. TI and TI suppliers consider certain information to be proprietary, and thus CAS numbers and other limited information may not be available for release.

In no event shall TI's liability arising out of such information exceed the total purchase price of the TI part(s) at issue in this document sold by TI to Customer on an annual basis.

DBV (R-PDSO-G5)

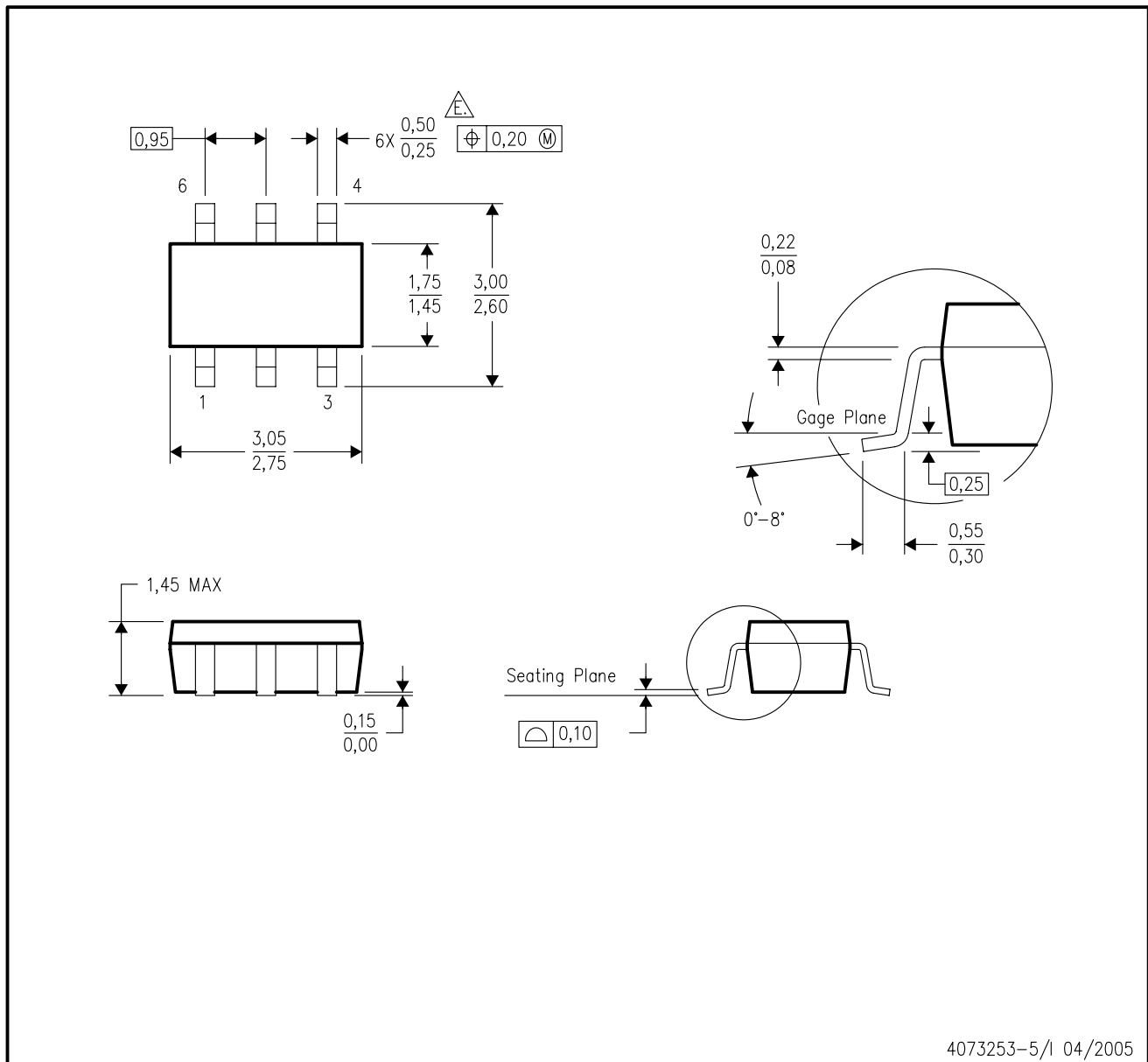
PLASTIC SMALL-OUTLINE PACKAGE



- NOTES:
- A. All linear dimensions are in millimeters.
  - B. This drawing is subject to change without notice.
  - C. Body dimensions do not include mold flash or protrusion.
  - D. Falls within JEDEC MO-178 Variation AA.

DBV (R-PDSO-G6)

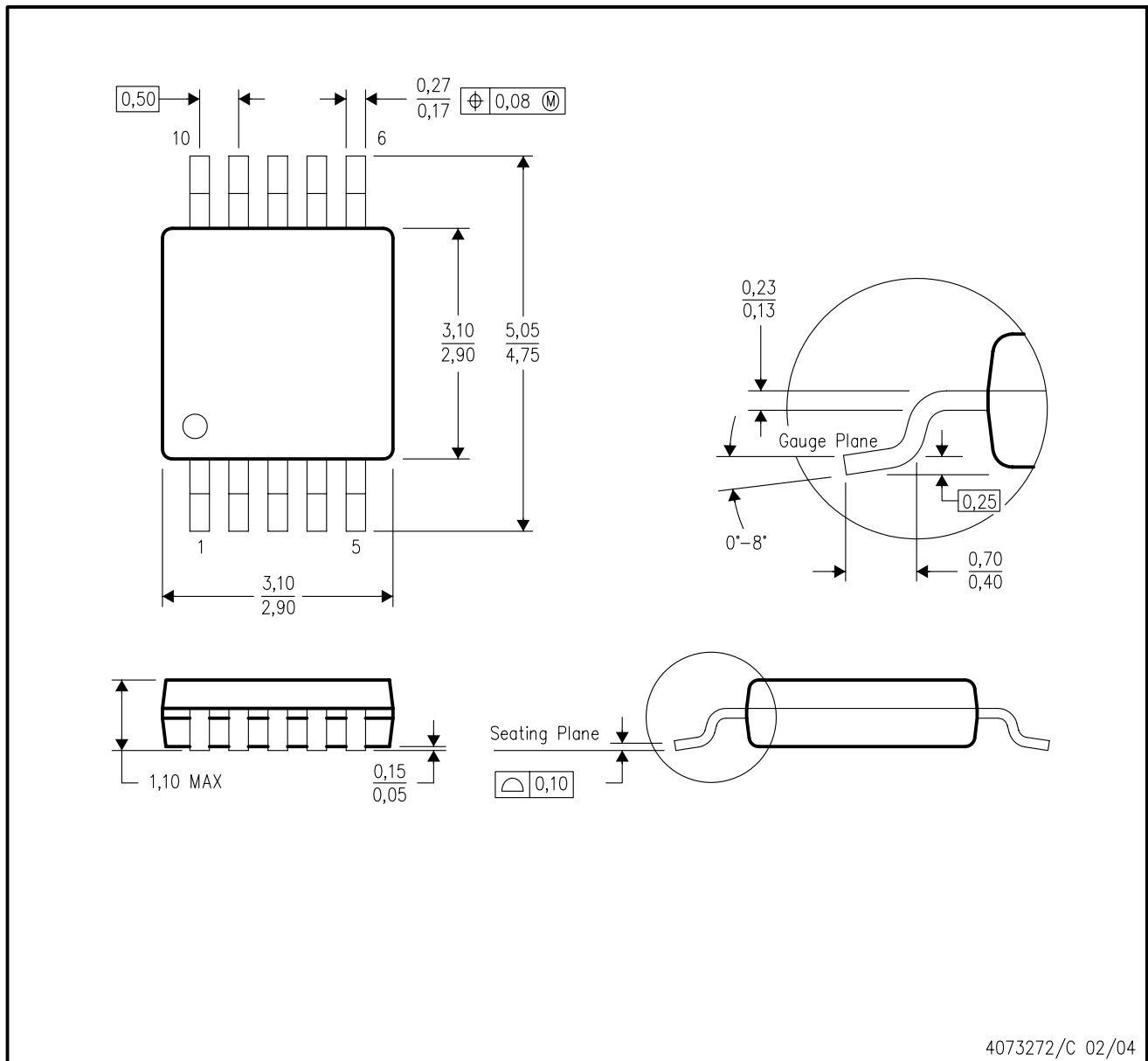
PLASTIC SMALL-OUTLINE PACKAGE



- NOTES:
- A. All linear dimensions are in millimeters.
  - B. This drawing is subject to change without notice.
  - C. Body dimensions do not include mold flash or protrusion.
  - D. Leads 1,2,3 may be wider than leads 4,5,6 for package orientation.
- $\triangle$  Falls within JEDEC MO-178 Variation AB, except minimum lead width.

DGS (S-PDSO-G10)

PLASTIC SMALL-OUTLINE PACKAGE



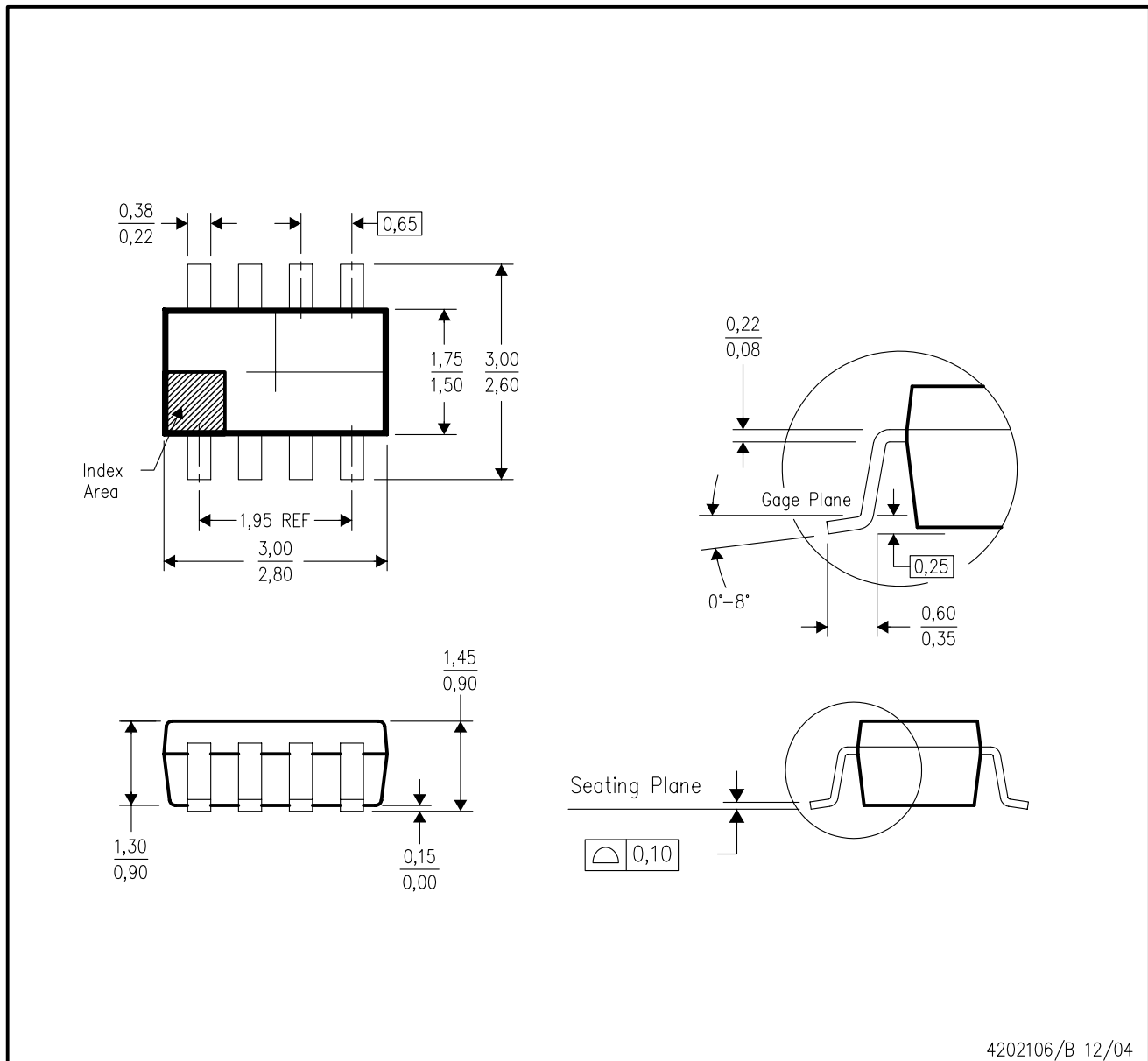
4073272/C 02/04

- NOTES:
- A. All linear dimensions are in millimeters.
  - B. This drawing is subject to change without notice.
  - C. Body dimensions do not include mold flash or protrusion.
  - D. Falls within JEDEC MO-187 variation BA.



DCN (R-PDSO-G8)

PLASTIC SMALL-OUTLINE

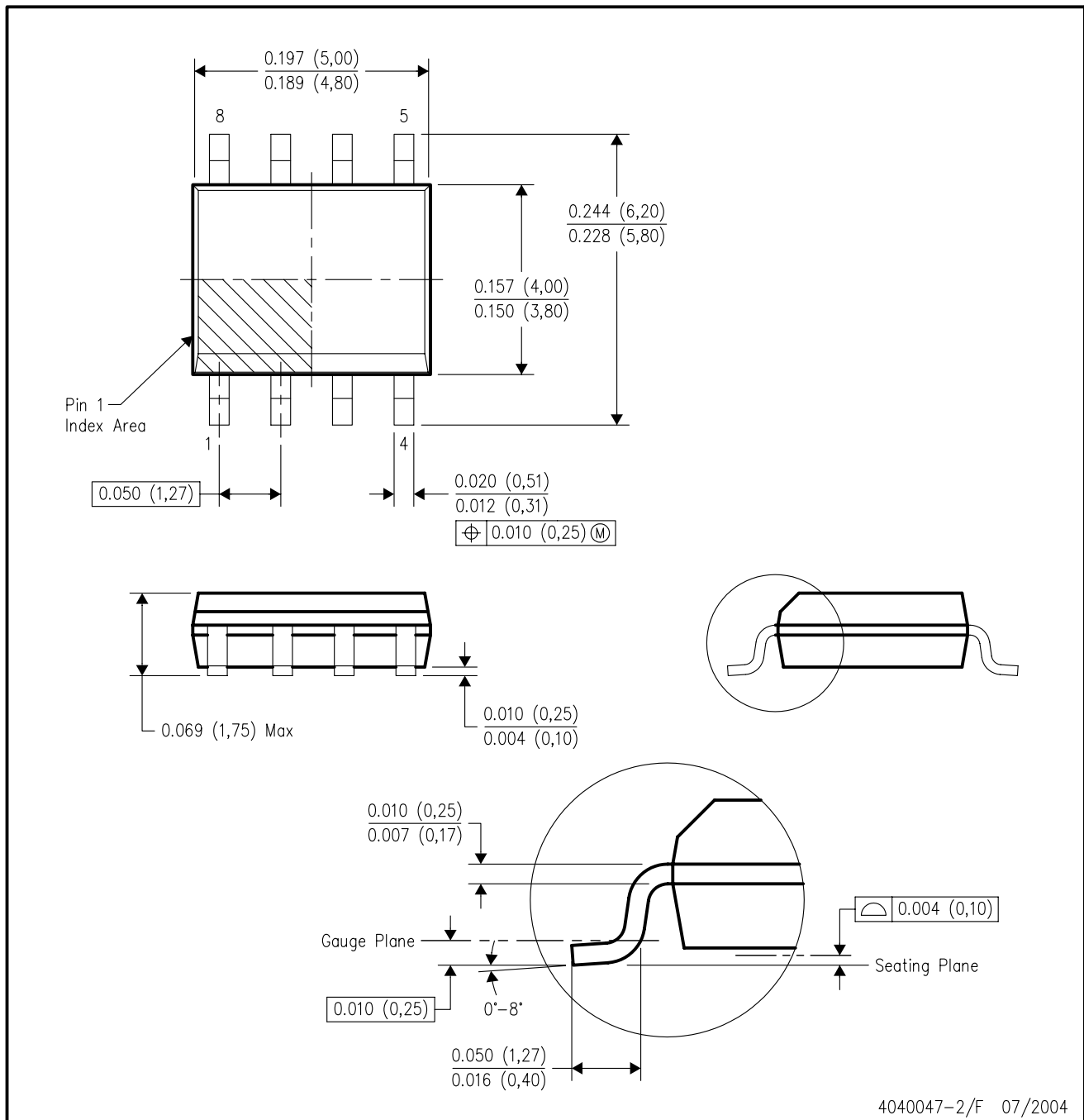


- NOTES:
- All linear dimensions are in millimeters.
  - This drawing is subject to change without notice.
  - Package outline exclusive of mold flash, metal burr & dambar protrusion/intrusion.
  - Package outline inclusive of solder plating.
  - A visual index feature must be located within the cross-hatched area.
  - Falls within JEDEC MO-178 Variation BA.



D (R-PDSO-G8)

PLASTIC SMALL-OUTLINE PACKAGE



- NOTES:
- A. All linear dimensions are in inches (millimeters).
  - B. This drawing is subject to change without notice.
  - C. Body dimensions do not include mold flash or protrusion not to exceed 0.006 (0,15).
  - D. Falls within JEDEC MS-012 variation AA.

PW (R-PDSO-G\*\*)

PLASTIC SMALL-OUTLINE PACKAGE

14 PINS SHOWN



4040064/F 01/97

- NOTES: A. All linear dimensions are in millimeters.  
 B. This drawing is subject to change without notice.  
 C. Body dimensions do not include mold flash or protrusion not to exceed 0,15.  
 D. Falls within JEDEC MO-153

## IMPORTANT NOTICE

Texas Instruments Incorporated and its subsidiaries (TI) reserve the right to make corrections, modifications, enhancements, improvements, and other changes to its products and services at any time and to discontinue any product or service without notice. Customers should obtain the latest relevant information before placing orders and should verify that such information is current and complete. All products are sold subject to TI's terms and conditions of sale supplied at the time of order acknowledgment.

TI warrants performance of its hardware products to the specifications applicable at the time of sale in accordance with TI's standard warranty. Testing and other quality control techniques are used to the extent TI deems necessary to support this warranty. Except where mandated by government requirements, testing of all parameters of each product is not necessarily performed.

TI assumes no liability for applications assistance or customer product design. Customers are responsible for their products and applications using TI components. To minimize the risks associated with customer products and applications, customers should provide adequate design and operating safeguards.

TI does not warrant or represent that any license, either express or implied, is granted under any TI patent right, copyright, mask work right, or other TI intellectual property right relating to any combination, machine, or process in which TI products or services are used. Information published by TI regarding third-party products or services does not constitute a license from TI to use such products or services or a warranty or endorsement thereof. Use of such information may require a license from a third party under the patents or other intellectual property of the third party, or a license from TI under the patents or other intellectual property of TI.

Reproduction of information in TI data books or data sheets is permissible only if reproduction is without alteration and is accompanied by all associated warranties, conditions, limitations, and notices. Reproduction of this information with alteration is an unfair and deceptive business practice. TI is not responsible or liable for such altered documentation.

Resale of TI products or services with statements different from or beyond the parameters stated by TI for that product or service voids all express and any implied warranties for the associated TI product or service and is an unfair and deceptive business practice. TI is not responsible or liable for any such statements.

Following are URLs where you can obtain information on other Texas Instruments products and application solutions:

<b>Products</b>		<b>Applications</b>	
Amplifiers	<a href="http://amplifier.ti.com">amplifier.ti.com</a>	Audio	<a href="http://www.ti.com/audio">www.ti.com/audio</a>
Data Converters	<a href="http://dataconverter.ti.com">dataconverter.ti.com</a>	Automotive	<a href="http://www.ti.com/automotive">www.ti.com/automotive</a>
DSP	<a href="http://dsp.ti.com">dsp.ti.com</a>	Broadband	<a href="http://www.ti.com/broadband">www.ti.com/broadband</a>
Interface	<a href="http://interface.ti.com">interface.ti.com</a>	Digital Control	<a href="http://www.ti.com/digitalcontrol">www.ti.com/digitalcontrol</a>
Logic	<a href="http://logic.ti.com">logic.ti.com</a>	Military	<a href="http://www.ti.com/military">www.ti.com/military</a>
Power Mgmt	<a href="http://power.ti.com">power.ti.com</a>	Optical Networking	<a href="http://www.ti.com/opticalnetwork">www.ti.com/opticalnetwork</a>
Microcontrollers	<a href="http://microcontroller.ti.com">microcontroller.ti.com</a>	Security	<a href="http://www.ti.com/security">www.ti.com/security</a>
		Telephony	<a href="http://www.ti.com/telephony">www.ti.com/telephony</a>
		Video & Imaging	<a href="http://www.ti.com/video">www.ti.com/video</a>
		Wireless	<a href="http://www.ti.com/wireless">www.ti.com/wireless</a>

Mailing Address: Texas Instruments  
Post Office Box 655303 Dallas, Texas 75265

Вы скачали этот файл с сайта «Сайт радиолюбителей»



## Другие разделы сайта

### Раздел БИБЛИОТЕКА

Книги для и журналы радиолюбителям

<http://radio-uchebnik.ru/library/>

### Раздел РАДИОСХЕМЫ

Различные схемы как для начинающих так и для профессионалов:

Схемы бытовой техники, телевизоров, мониторов, автомагнитол, музыкальных центров, и для самостоятельной сборки

<http://radio-uchebnik.ru/shem/>

### Раздел ФАЙЛОВОЕ ХРАНИЛИЩЕ

Различные файлы: Даташиты, схемы, прошивки и так далее

<http://radio-uchebnik.ru/downfiles/>

### Раздел РАДИОКОМПАС

Если Вы занимаетесь ремонтом электроники на профессиональном уровне- то Вы можете сообщить о себе.

<http://radio-uchebnik.ru/radiomap/>

### Раздел ДОСКА ОБЪЯВЛЕНИЙ

Здесь Вы можете разместить бесплатное объявление сроком до 120 дней (только радиотематика!!)

<http://radio-uchebnik.ru/ads/>

### Раздел СПРАВОЧНИК ПО МИКРОСХЕМАМ

Справочные данные на микросхемы импортного и отечественного производства

<http://radio-uchebnik.ru/microbase/>

### Раздел СТАТЬИ

Различные статьи радиолюбительской (и не только) тематики: секреты телемастера, практическая электроника, альтернативная энергия, расчеты по электронике, электронные устройства и так далее

<http://radio-uchebnik.ru/txt/>

### ФОРУМ НАШЕГО САЙТА

<http://radio-uchebnik.ru/forum/>