

SSC9522S

General Description

The SSC9522S is a controller IC (SMZ* method) for half-bridge resonant type power supply, incorporating a floating drive circuit for High-side MOSFET drive.

*SMZ = Soft-switched Multi-resonant Zero Current switch, all switching periods work with soft switching operation.

The IC is suitable for high performance power supply system with small size, high efficiency and low noise, because for various power supply specifications, more effective and easier design works are achievable with effective functions as the Automatic Dead Time Adjustment, the Uncontrollable Operation Detection and so on.

Package

SOIC18



Not to scale

Features and Benefits

- Built-in floating drive circuit for High-side MOSFET
- Soft Start Function, reducing of power MOSFET stress and preventing Uncontrollable Operation, at startup
- Uncontrollable Operation Detection Function on pulse-by-pulse basis, improving the ability of transformer output wattage because the frequency range is available up to the resonant frequency, f_o , and reducing power MOSFET stress
- Automatic Dead Time Adjustment Function, not being necessary to make the dead time adjustment for each power supply specification
- Line Undervoltage Protection Function (Brown-In/Brown-Out Function)
Prevention of excessive input current and overheat at low input voltage
- Protection Functions
 - External Latch Function -----Latch shutdown by external signal input
 - Overcurrent Protection (OCP)-----Pulse-by-pulse
 - Overvoltage Protection (OVP) ----Latch shutdown
 - Overload Protection (OLP) -----Latch shutdown
 - Thermal Shutdown (TSD)-----Latch shutdown

Electrical Characteristics

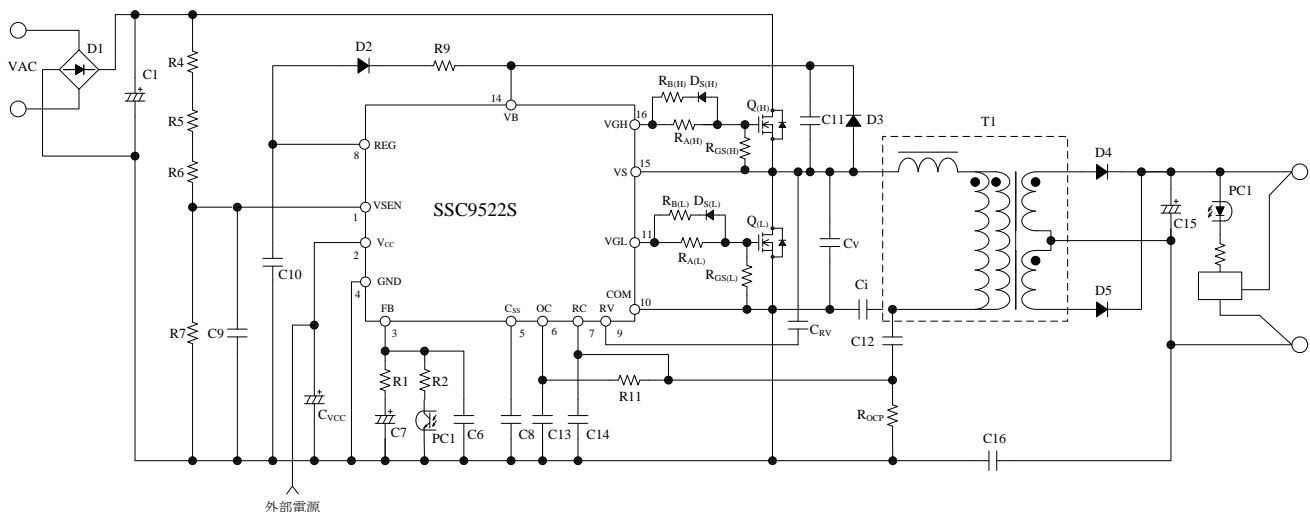
- Maximum rating of V_{CC} : 35V(MAX)
- Minimum frequency, $F_{(MIN)}$: 28.3kHz(TYP)
- Maximum frequency, $F_{(MAX)}$: 300kHz(TYP)
- Maximum dead - time, $t_{d(MAX)}$: 2.45 μ s(TYP)
- Minimum dead - time , $t_{d(MIN)}$: 0.50 μ s(TYP)

Applications

Switching power supplies for electronic devices such as:

- LCD and PDP TV
- Sarver
- Multi Function Printer
- Industrial Equipment
- Communications Equipment

Typical Application Circuit



SSC9522S

June 28, 2012

Absolute Maximum Ratings * Valid at Ta = 25°C, unless otherwise specified

Characteristic	Pins	Symbol	Ratings	Units	Notes
VSEN pin voltage	1-4	V _{SEN}	-0.3 to V _{REG}	V	
V _{CC} pin voltage	2-4	V _{CC}	-0.3 to +35	V	
FB pin voltage	3-4	V _{FB}	-0.3 to +10	V	
C _{SS} pin voltage	5-4	V _{CSS}	-0.3 to +12	V	
RC pin voltage	7-4	V _{RC}	-6 to +6	V	
RV pin current	9-4	I _{RV}	-2 to +2	mA	DC
			-100 to +100	mA	Pulse 40ns
OC pin voltage	6-4	V _{OC}	-6 to +6	V	
VGL pin voltage	11-4	V _{GL}	-0.3 to V _{REG} +0.3	V	
REG pin source current	8-4	I _{REG}	-20.0	mA	
Voltage between VB and VS pin	14-15	V _B -V _S	-0.3 to +15.0	V	
VS pin voltage	15-4	V _S	-1 to +600	V	
VGH pin voltage	16-4	V _{GH}	V _S -0.3 to V _B +0.3	V	
Operating ambient temperature	—	T _{OP}	-20 to +85	°C	
Storage temperature	—	T _{stg}	-40 to +125	°C	
Junction temperature	—	T _j	+150	°C	

*The polarity value for current specifies a sink as “+”, and a source as “-”, referencing the IC.

Note: Surge voltage withstand (Human body model) of No.14 to No.16 pin is guaranteed 1000V.
Other pins are guaranteed 2000V.

SSC9522S

June 28, 2012

Electrical Characteristics* Valid at $V_{CC} = 20\text{ V}$, $T_a = 25^\circ\text{C}$, unless otherwise specified

Parameter	Pin	Symbol	Ratings			Unit	Notes	
			MIN	TYP	MAX			
Start/Circuit current								
Operation start voltage	2-4	$V_{CC(ON)}$	10.2	11.8	13.0	V	$V_{CC(OFF)}$ < $V_{CC(ON)}$	
Operation stop voltage	2-4	$V_{CC(OFF)}$	8.8	9.8	10.9	V		
Circuit current in operation	2-4	$I_{CC(ON)}$	—	—	20.0	mA		
Circuit current in non-operation	2-4	$I_{CC(OFF)}$	—	—	1.2	mA	$V_{CC}=9\text{V}$	
Circuit current in latch-operation	2-4	$I_{CC(L)}$	—	—	1.2	mA	$V_{CC}=11\text{V}$	
OLP latch/External Latch								
FB pin source current	3-4	I_{FB}	-30.5	-25.5	-20.5	μA		
FB pin threshold voltage	3-4	V_{FB}	6.55	7.05	7.55	V		
C_{SS} pin threshold voltage(1)	5-4	$V_{C_{SS}(1)}$	7.0	7.8	8.6	V		
Latch circuit release V_{CC} voltage	2-4	$V_{CC(La,OFF)}$	6.7	8.2	9.5	V	$V_{CC(La,OFF)}$ < $V_{CC(OFF)}$	
Oscillator								
Minimum frequency	11-10 16-15	$F_{(MIN)}$	26.2	28.3	31.2	kHz		
Maximum frequency	11-10 16-15	$F_{(MAX)}$	265	300	335	kHz		
Maximum dead-time	11-10 16-15	$t_{d(MAX)}$	1.90	2.45	3.00	μs		
Minimum dead-time	11-10 16-15	$t_{d(MIN)}$	0.25	0.50	0.75	μs		
Control								
Burst mode start FB pin source current	3-4	$I_{CONT(1)}$	-2.9	-2.5	-2.1	mA		
Oscillation stop FB pin source current	3-4	$I_{CONT(2)}$	-3.7	-3.1	-2.5	mA		
Soft start								
C_{SS} pin charge current	5-4	$I_{C_{SS}(C)}$	-0.21	-0.18	-0.15	mA		
C_{SS} pin reset current	5-4	$I_{C_{SS}(R)}$	1.0	1.8	2.4	mA	$V_{CC}=9\text{V}$	
Overvoltage protection/Thermal protection								
OVP operating V_{CC} voltage	2-4	V_{OVP}	28.0	31.0	34.0	V		
Thermal shutdown operating temperature	—	$T_j(TSD)$	150	—	—	$^\circ\text{C}$		
Detection of current resonant/Overcurrent protection								
Uncontrollability detection voltage	7-4	V_{RC}	0.055	0.155	0.255	V		
			-0.255	-0.155	-0.055	V		
RC pin threshold voltage (Hi speed)	7-4	$V_{RC(S)}$	2.15	2.35	2.55	V		
			-2.55	-2.35	-2.15	V		
OC pin threshold voltage(Low)	6-4	$V_{OC(L)}$	1.42	1.52	1.62	V		
OC pin threshold voltage (High)	6-4	$V_{OC(H)}$	1.69	1.83	1.97	V		
OC pin threshold voltage (Hi speed)	6-4	$V_{OC(S)}$	2.15	2.35	2.55	V		
C_{SS} pin sink current	5-4	$I_{C_{SS}}$	(L)	1.0	1.8	2.4	mA	
			(H)	12.0	20.0	28.0	mA	
			(S)	11.0	18.3	25.0	mA	

* The polarity value for current specifies a sink as "+", and a source as "-", referencing the IC.

SSC9522S

June 28, 2012

Electrical Characteristics* Valid at $V_{CC} = 20\text{ V}$, $T_a = 25^\circ\text{C}$, unless otherwise specified

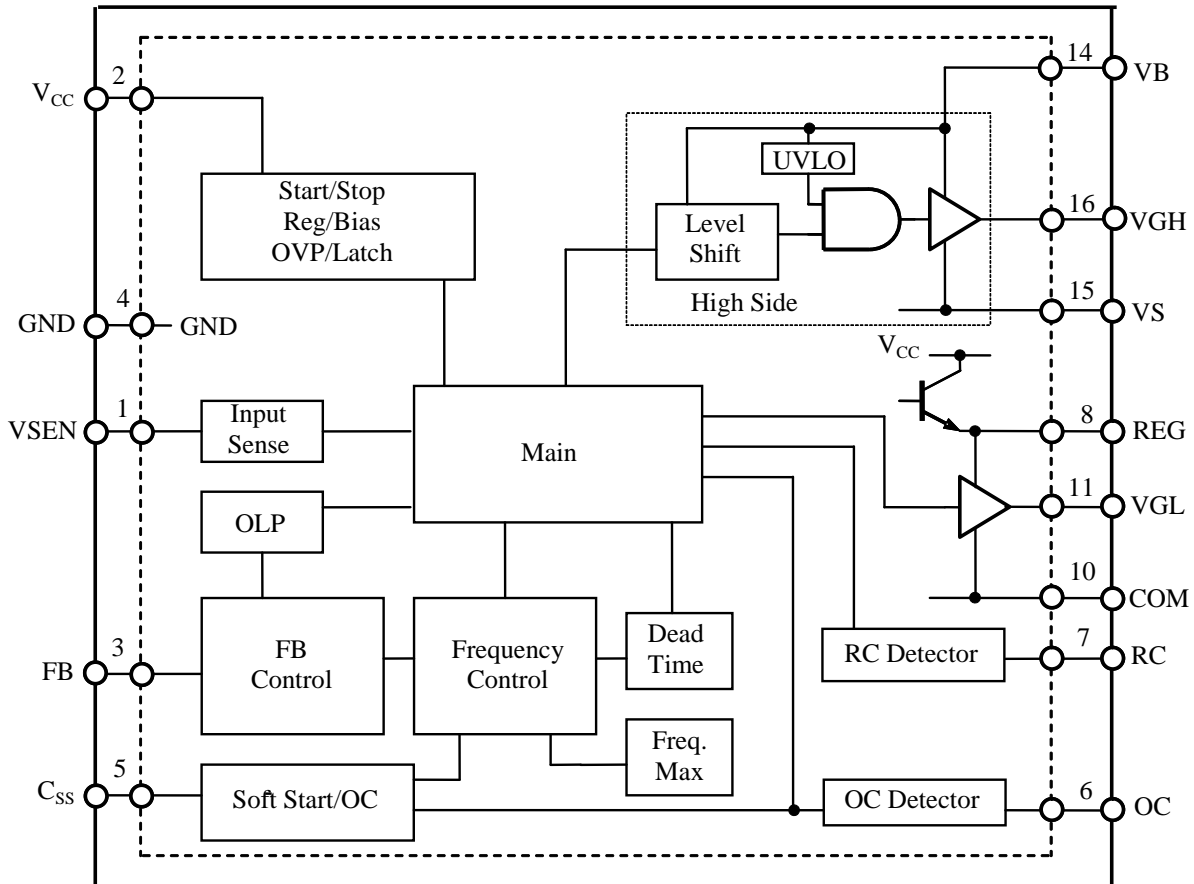
Parameter	Pin	Symbol	Ratings			Unit	Notes
			MIN	TYP	MAX		
Detection of voltage resonant							
RV pin voltage detect Resonance voltage(1)	9-4	$V_{RV(1)}$	3.8	4.9	5.4	V	
RV pin voltage detect Resonance voltage(2)	9-4	$V_{RV(2)}$	1.20	1.77	2.30	V	
Stand by							
Burst oscillation frequency	5-4	$f_{C_{SS}}$	70	105	130	Hz	
ON/OFF							
C_{SS} pin threshold voltage (2)	5-4	$V_{C_{SS}(2)}$	0.50	0.59	0.68	V	
Input voltage detect function							
VSEN pin threshold voltage (ON)	1-4	$V_{SEN(ON)}$	1.32	1.42	1.52	V	
VSEN pin threshold voltage (OFF)	1-4	$V_{SEN(OFF)}$	1.08	1.16	1.24	V	
Supply of driver circuit							
REG pin output voltage	8-4	V_{REG}	9.9	10.5	11.1	V	
High-side driver							
High-side drive operation start voltage	14-15	$V_{BUV(ON)}$	6.3	7.3	8.3	V	
High-side drive operation stop voltage	14-15	$V_{BUV(OFF)}$	5.5	6.4	7.2	V	
Drive circuit							
VGL,VGH pin source current 1	11-10 16-15	$I_{GL_{SOURCE1}}$ $I_{GH_{SOURCE1}}$	—	-515	—	mA	$V_{REG}=10.5\text{V}$ $V_B=10.5\text{V}$ $V_{GL}=0\text{V}$ $V_{GH}=0\text{V}$
VGL,VGH pin sink current 1	11-10 16-15	$I_{GL_{SINK1}}$ $I_{GH_{SINK1}}$	—	685	—	mA	$V_{REG}=10.5\text{V}$ $V_B=10.5\text{V}$ $V_{GL}=10.5\text{V}$ $V_{GH}=10.5\text{V}$
VGL,VGH pin source current 2	11-10 16-15	$I_{GL_{SOURCE2}}$ $I_{GH_{SOURCE2}}$	-120	-85	-50	mA	$V_{REG}=12\text{V}$ $V_B=12\text{V}$ $V_{GL}=10.5\text{V}$ $V_{GH}=10.5\text{V}$
VGL,VGH pin sink current 2	11-10 16-15	$I_{GL_{SINK2}}$ $I_{GH_{SINK2}}$	70	113	160	mA	$V_{REG}=12\text{V}$ $V_B=12\text{V}$ $V_{GL}=1.5\text{V}$ $V_{GH}=1.5\text{V}$
Thermal characteristics							
Junction to ambient thermal resistance	—	θ_{j-a}	—	—	95	$^\circ\text{C/W}$	

* The polarity value for current specifies a sink as "+", and a source as "-", referencing the IC.

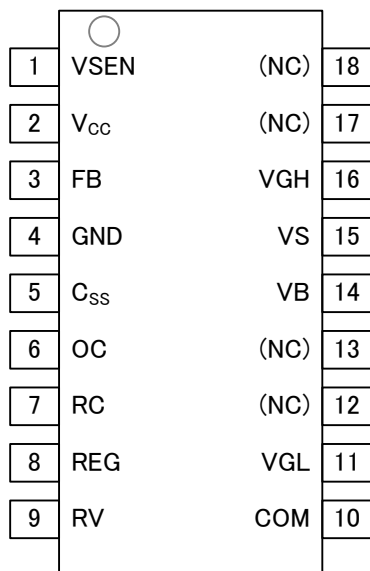
SSC9522S

June 28, 2012

Functional Block Diagram



Pin List Table



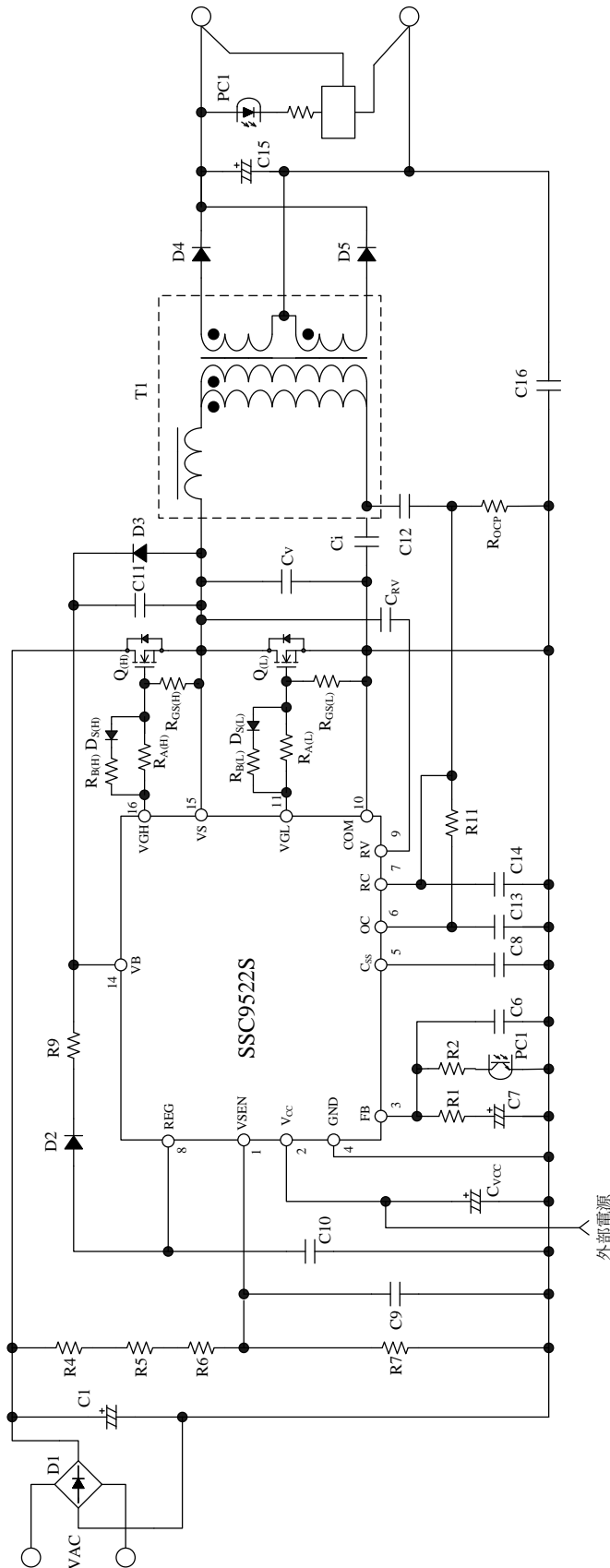
Terminal	Symbol	Functions
1	VSEN	AC line input voltage detection
2	V _{cc}	Power supply input for control circuit and Overvoltage protection signal input
3	FB	Constant voltage control signal input and Overload protection signal input
4	GND	Ground for control part
5	C _{ss}	Soft start capacitor connection and external latch shutdown signal input
6	OC	Overcurrent protection signal input
7	RC	Resonant current signal input
8	REG	Power supply output for gate drive
9	RV	Resonant voltage signal input
10	COM	Ground for power part
11	VGL	Low-side gate drive output
12	(NC)	(No connection)
13	(NC)	(No connection)
14	VB	High-side gate drive voltage input
15	VS	High-side drive floating ground
16	VGH	High-side gate drive output
17	(NC)	(No connection)
18	(NC)	(No connection)

High Efficiency, Low noise, Automatic Dead Time Adjustment Control IC for Half-Bridge LLC Off-line Switching Regulators SSC9522S



June 28, 2012

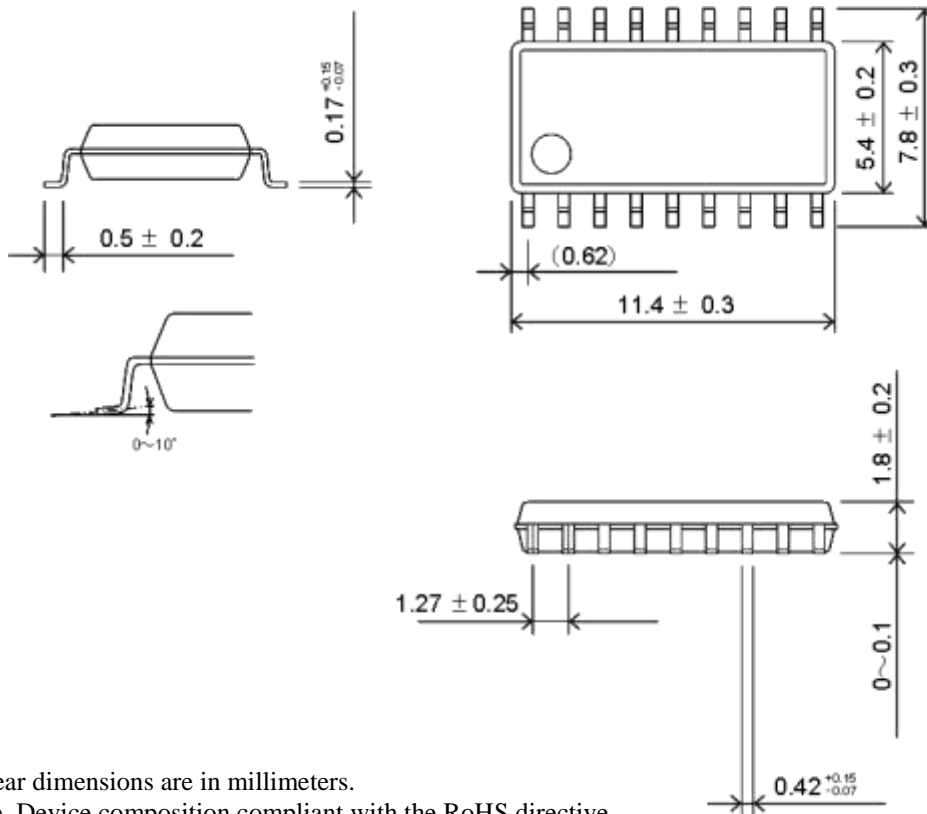
Typical Application Circuit



SSC9522S

Package Outline Dimensions

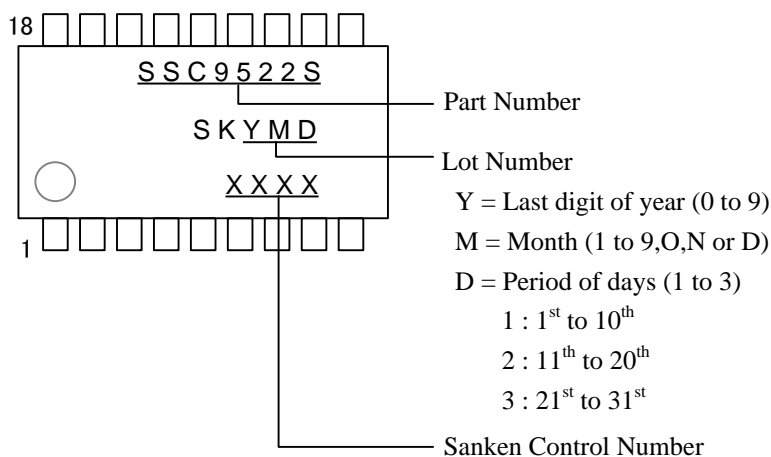
SOP18



NOTES:

- 1) All linear dimensions are in millimeters.
- 2) Pb-free. Device composition compliant with the RoHS directive.

Marking Diagram



OPERATING PRECAUTIONS

Because reliability can be affected adversely by improper storage environments and handling methods, please observe the following cautions.

Cautions for Storage

- Ensure that storage conditions comply with the standard temperature (5 to 35°C) and the standard relative humidity (around 40 to 75%); avoid storage locations that experience extreme changes in temperature or humidity.
- Avoid locations where dust or harmful gases are present and avoid direct sunlight.
- Reinspect for rust on leads and solderability of the products that have been stored for a long time.

Cautions for Testing and Handling

When tests are carried out during inspection testing and other standard test periods, protect the products from power surges from the testing device, shorts between the product pins, and wrong connections. Ensure all test parameters are within the ratings specified by Sanken for the products.

Soldering

- When soldering the products, please be sure to minimize the working time, within the following limits:
260 ± 5 °C 10 ± 1 s (Flow, 2 times)
380 ± 10 °C 3.5 ± 0.5 s (Soldering iron, 1 time)

Electrostatic Discharge

- When handling the products, the operator must be grounded. Grounded wrist straps worn should have at least 1MΩ of resistance from the operator to ground to prevent shock hazard, and it should be placed near the operator.
- Workbenches where the products are handled should be grounded and be provided with conductive table and floor mats.
- When using measuring equipment such as a curve tracer, the equipment should be grounded.
- When soldering the products, the head of soldering irons or the solder bath must be grounded in order to prevent leak voltages generated by them from being applied to the products.
- The products should always be stored and transported in Sanken shipping containers or conductive containers, or be wrapped in aluminum foil.

IMPORTANT NOTES

- The contents in this document are subject to changes, for improvement and other purposes, without notice. Make sure that this is the latest revision of the document before use.
- Application and operation examples described in this document are quoted for the sole purpose of reference for the use of the products herein and SanKen can assume no responsibility for any infringement of industrial property rights, intellectual property rights or any other rights of SanKen or any third party which may result from its use.
- Although SanKen undertakes to enhance the quality and reliability of its products, the occurrence of failure and defect of semiconductor products at a certain rate is inevitable. Users of SanKen products are requested to take, at their own risk, preventative measures including safety design of the equipment or systems against any possible injury, death, fires or damages to the society due to device failure or malfunction.
- SanKen products listed in this document are designed and intended for the use as components in general purpose electronic equipment or apparatus (home appliances, office equipment, telecommunication equipment, measuring equipment, etc.).
When considering the use of SanKen products in the applications where higher reliability is required (transportation equipment and its control systems, traffic signal control systems or equipment, fire/crime alarm systems, various safety devices, etc.), and whenever long life expectancy is required even in general purpose electronic equipment or apparatus, please contact your nearest SanKen sales representative to discuss, prior to the use of the products herein.
The use of SanKen products without the written consent of SanKen in the applications where extremely high reliability is required (aerospace equipment, nuclear power control systems, life support systems, etc.) is strictly prohibited.
- In the case that you use SanKen products or design your products by using SanKen products, the reliability largely depends on the degree of derating to be made to the rated values. Derating may be interpreted as a case that an operation range is set by derating the load from each rated value or surge voltage or noise is considered for derating in order to assure or improve the reliability. In general, derating factors include electric stresses such as electric voltage, electric current, electric power etc., environmental stresses such as ambient temperature, humidity etc. and thermal stress caused due to self-heating of semiconductor products. For these stresses, instantaneous values, maximum values and minimum values must be taken into consideration.
In addition, it should be noted that since power devices or IC's including power devices have large self-heating value, the degree of derating of junction temperature affects the reliability significantly.
- When using the products specified herein by either (i) combining other products or materials therewith or (ii) physically, chemically or otherwise processing or treating the products, please duly consider all possible risks that may result from all such uses in advance and proceed therewith at your own responsibility.
- Anti radioactive ray design is not considered for the products listed herein.
- SanKen assumes no responsibility for any troubles, such as dropping products caused during transportation out of SanKen's distribution network.
- The contents in this document must not be transcribed or copied without SanKen's written consent.