



# SY7208/SY7208B

## High Efficiency 1MHz, 2A Step Up Regulator

### General Description

The SY7208 and SY7208B are high efficiency boost regulators targeted for general step-up applications. SY7208B incorporates input over-voltage protection and turn off the regulator when the input voltage exceeds 7V.

### Ordering Information

SY7208□(□□)□  
 □ Temperature Code  
 C: -40°C~85°C  
 □ Package Code:  
 AB: SOT23-6  
 □ Spec Code  
 None: 0.6 V<sub>REF</sub>  
 B: 1V<sub>REF</sub>

### Features

- wide input range: 3-25V bias input, 25V<sub>out</sub> max
- 1MHz switching frequency
- Minimum on time: 100ns typical
- Minimum off time: 100ns typical
- Low R<sub>dson</sub>: 0.2ohm
- Programmable softstart: SY7208B
- 7V input OVP protection: SY7208B
- Accurate Reference:
  - o SY7208, 0.6V<sub>REF</sub>
  - o SY7208B: 1V<sub>REF</sub>
- Compact package: SOT23 6 pins

### Applications

- WLED Drivers
- Networking cards powered from PCI or PCI-express slots

### Typical Applications

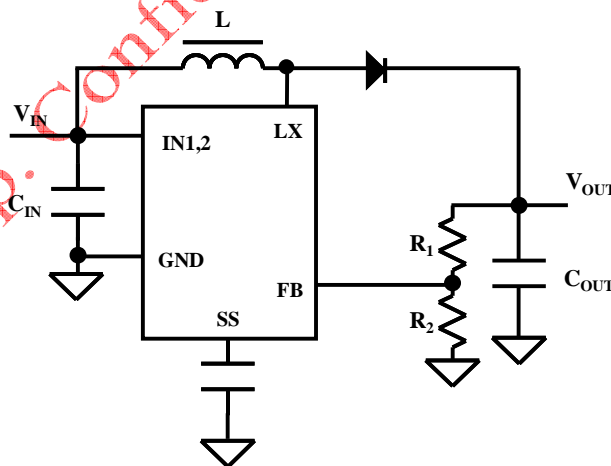
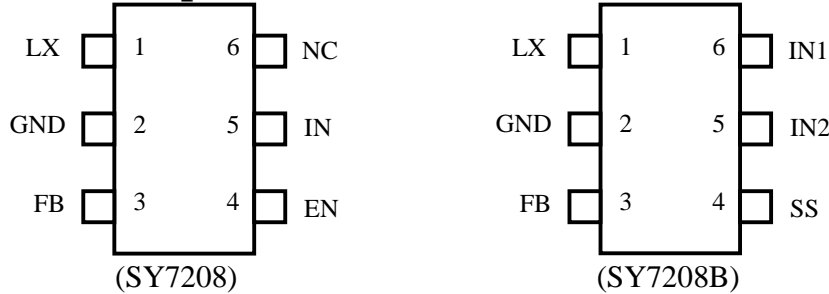


Fig. 1 Typical Schematic Diagram



# SY7208/SY7208B

## Pinout (SOT23-6 top view)



**Top Mark: CA<sub>xyz</sub> for SY7208    BL<sub>xyz</sub> for sy7208B**

(Device code: CA for SY7208 and BL for SY7208B, *x*=year code, *y*=week code, *z*=Wafer lot number code)

Pin Name	SOT23-6	Pin Description
IN(SY7208)	5	Input pin. Decouple this pin to GND pin with 1uF ceramic cap.
IN1,2(SY7208B)	6,5	Input pins. Decouple this pin to GND pin with 1uF ceramic cap.
GND	2	Ground pin
LX	1	Inductor node. Connect an inductor between IN pin and LX pin.
FB	3	Feedback pin. Connect a resistor R1 between V <sub>OUT</sub> and FB, and a resistor R2 between FB and GND to program the output voltage: V <sub>OUT</sub> =0.6V*(R1/R2+1)—SY7208; V <sub>OUT</sub> =1V*(R1/R2+1)—SY7208B.
SS (SY7208B)	4	External softstart pin. Add a capacitor to this pin to program the softstart time to limit the inrush current. For SY7208B, pull this pin to IN can disable the input OVP.
EN (SY7208)	4	Enable control. High to turn on the part. Don't leave it floated.

## Absolute Maximum Ratings (Note 1)

OUT, LX, IN, SEN	26V
All other pins	6V
Power Dissipation, P <sub>D</sub> @ T <sub>A</sub> = 25°C SOT-23-6,	0.4W
Package Thermal Resistance (Note 2)	
θ <sub>JA</sub>	250°C/W
θ <sub>JC</sub>	130°C/W
Junction Temperature Range	150°C
Lead Temperature (Soldering, 10 sec.)	260°C
Storage Temperature Range	-65°C to 150°C
ESD Susceptibility (Note 2)	
HBM (Human Body Mode)	2kV
MM (Machine Mode)	200V

## Recommended Operating Conditions (Note 3)

IN1,2, LX	3V to 25V
All other pins	0-5.5V
Junction Temperature Range	-40°C to 125°C
Ambient Temperature Range	-40°C to 85°C



## Electrical Characteristics

( $V_{IN} = 5V$ ,  $V_{out} = 12V$ ,  $I_{out} = 100mA$ ,  $T_A = 25^\circ C$  unless otherwise specified)

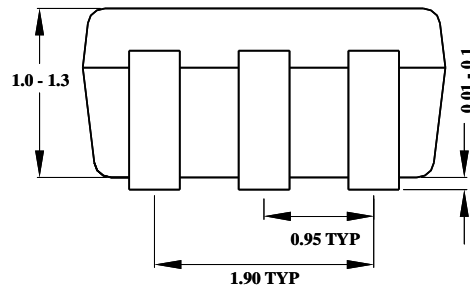
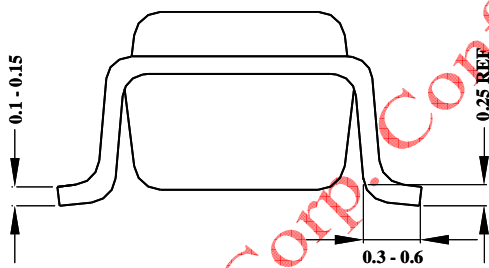
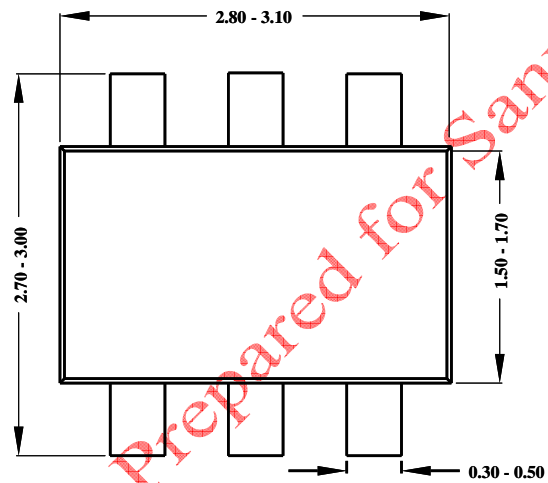
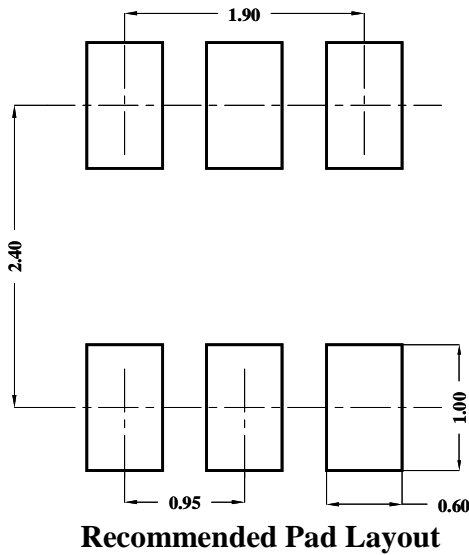
Parameter	Symbol	Test Conditions	Min	Typ	Max	Unit
Input Voltage Range	$V_{IN}$		3		25	V
Quiescent Current	$I_Q$	FB=0.66V		100		$\mu A$
Low Side Main FET RON	$R_{DS(ON)1}$			200		m $\Omega$
Main FET Current Limit	$I_{LIM1}$		2		2.6	A
Switching Frequency	$F_{SW}$		0.8	1	1.2	MHz
Feedback Reference Voltage	$V_{REF}$	SY7208	0.588	0.6	0.612	V
		SY7208B	0.98	1	1.02	V
IN OVP rising threshold	$V_{IN,OV}$	SY7208B only	7			V
IN OVP hysteresis	$V_{OV,HYS}$	SY7208B only		0.3		V
IN UVLO rising threshold	$V_{IN,UVLO}$				2.7	V
UVLO hysteresis	$UVLO,HYS$			0.1		V
Thermal Shutdown Temperature	$T_{SD}$			150		$^\circ C$

**Note 1:** Stresses listed as the above “Absolute Maximum Ratings” may cause permanent damage to the device. These are for stress ratings. Functional operation of the device at these or any other conditions beyond those indicated in the operational sections of the specifications is not implied. Exposure to absolute maximum rating conditions for extended periods may remain possibility to affect device reliability.

**Note 2:**  $\theta_{JA}$  is measured in the natural convection at  $T_A = 25^\circ C$  on a low effective single layer thermal conductivity test board of JEDEC 51-3 thermal measurement standard.

**Note 3:** The device is not guaranteed to function outside its operating conditions.

**SOT23-6 Package outline & PCB layout design**



**Notes: All dimensions are in millimeters.  
All dimensions don't include mold flash & metal burr.**