

TA7678

LINEAR INTEGRATED CIRCUIT

VIDEO AND SOUND IF AMPLIFIER FOR MONOCHROME TV RECEIVERS

DESCRIPTION

The Contek TA7678 is a monolithic integrated circuit designed for the VIF and SIF stage in B/W television receivers. The UTC TA7678 is used for forward AGC Type.

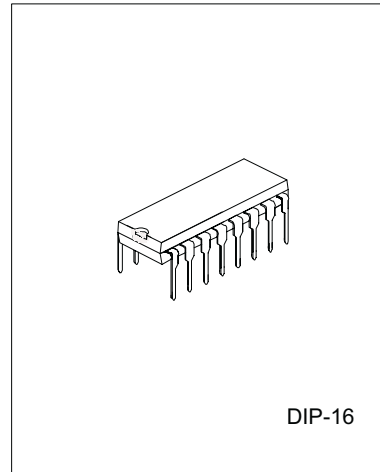
FEATURE

VIF STAGE

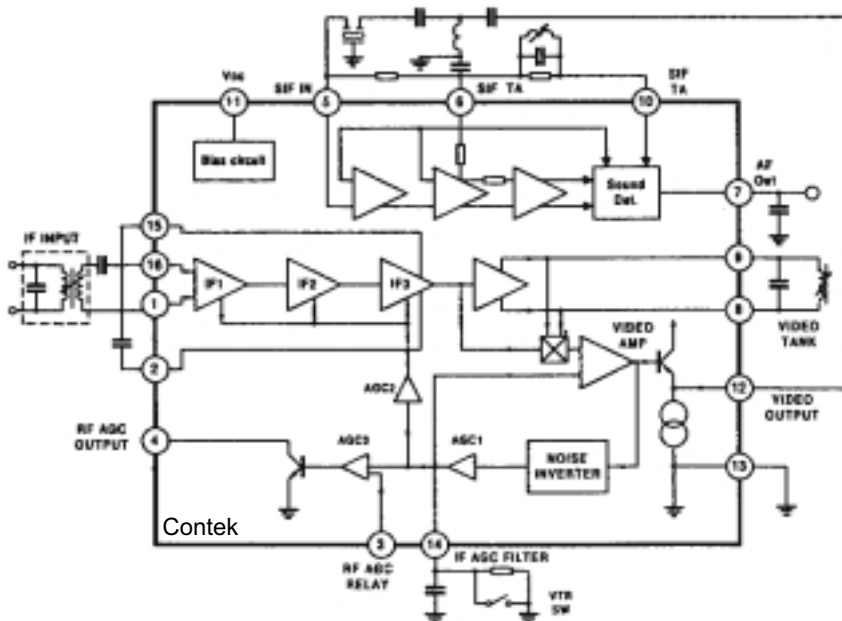
- *High gain wide band IF amplifier 50dB at 45MHz
- *Gain reduction with excellent stability: 55dB at 45MHz
- *Excellent DG/DP and S/N characteristics

SIF STAGE

- *Excellent limiter characteristics
- *Excellent AM Rejection
- *Large undistorted audio output voltage with quadrature detector



BLOCK DIAGRAM



Contek Microelectronics Co.,Ltd.

<http://www.contek-ic.com> E-mail:sales@contek-ic.com

TA7678

LINEAR INTEGRATED CIRCUIT

ABSOLUTE MAXIMUM RATINGS(Ta=25 C)

PARAMETER	SYMBOL	VALUE	UNIT
Supply Voltage	Vcc	15	V
Open Loop Voltage	V4	15	V
Video DC output current (note)	V12	6	V
Operating Temperature	Topr	-20 to +65	C
Storage Temperature	Tstg	-55 to 155	C
Power dissipation	PD	1.4	W

ELECTRICAL CHARACTERISTICS(Ta=25 C,Vcc=12V,fp=45.75MHz,unless otherwise specified)

PARAMETER	TEST CIRCUIT	SYMBOL	TEST CONDITIONS	MIN.	TYP.	MAX.	UNIT
Recommended Supply Voltage		Vcc		10.8	12	13.2	V
Quiescent circuit current	1	Iccq	S1:ON,S3:2,S5:2,S4:1	35	50	65	mA
Video DC output	1	V12	S1:OFF,S3:2,S5:2,S4:1	5.2	5.5	5.8	V
Terminal 5 voltage	1	V5	S1:ON,S3:2,S5:2,S4:1	3.5	4.4	5.3	V
Terminal 7 voltage	1	V5	S1:ON,S3:2,S5:2,S4:1	4.6	6.0	7.2	V
RF AGC Residual Output Voltage	1	V4(sat)	S1:OFF,S3:2,S5:2,S4:1			0.5	V
RF AGC Leak Current	1	I4(leak)	S1:OFF,S3:1,S5:2,S4:1			1	μA
Video sensitivity	2	SVI	Note 1	60	150	250	μVrms
AGC Range	2	V _{AGC(IF)}	Note 2	60	64		dB
Sync Tip Level Voltage (pin12)	2	V _{sync} (pin12)	Note 3	2.3	2.5	2.7	V
Maximum IF Input Voltage	2	V _{I(MAX)}	Note 4	100	120		mVrms
White Noise Threshold (pin12)	2	V _{WTH} (pin12)	Note 5	5.8	6.2	6.6	V
White Noise Clamp Level (pin12)	2	V _{WCL} (pin12)	Note 5	3.7	4.1	4.5	V
Black Noise Threshold (pin12)	2	V _{BTH} (pin12)	Note 5	1.4	1.6	1.8	V
Black Noise Clamp Level (pin12)	2	V _{BCL} (pin12)	Note 5	2.9	3.3	3.7	V
Video Frequency Response	3	Gv(IF)	Note 6	4.5	5.5		MHz
Suppression of carrier	4	CL	Note 7	40	50		dB
Suppression of 2 nd Carrier	4	I2nd	Note 8	40	50		dB
920kHz Beat level	4	I920	Note 9	33	38		dB
Differential Gain	5	DG	Note 10		7	10	dB
Differential Phase	5	DP	Note 10		3.5	5	C
VIF Input Impedance	6	RIN	Note 11	1.5	3.0	6.0	k
		CIN			3.0	10.0	pF
Maximum Available Current	1	I4(MAX)	Note 12	7			mA
RF AGC delay Point Range	2	Vin(delay)	Note 13	5.0	7.0	9.0	V
Video output level	2	Vo0	Note 14	2.25	2.5	2.75	V



Contek Microelectronics Co.,Ltd.

2

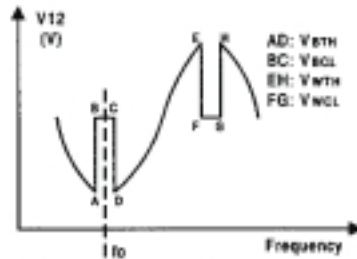
<http://www.contek-ic.com> E-mail:sales@contek-ic.com

SIF STAGE ($T_a=25^\circ\text{C}$, $V_{CC}=12\text{V}$, $f_o=45.75\text{MHz}$, unless otherwise specified)

PARAMETER	TEST CIRCUIT	SYMBOL	TEST CONDITIONS	MIN.	TYP.	MAX.	UNIT
SIF Output Voltage	3	VSO	Note 15	200	400	600	mVrms
Input limiting voltage	8	$V_i(\text{lim})$	Note 16	200	400		μVrms
AM Rejection Ratio	8	AMR	Note 17	40	45		dB
Recovered Output Voltage	8	VOD	Note 18	0.5	0.75		Vrms
Total Harmonic distortion	8	THD	Note 18		1.0	2.0	%
Maximun Audi Output Voltage	8	VOM	Noet 19	4.0			Vp-p
SIF Input Impedance	7	RIN(SIF)		10	20	30	$\text{k}\Omega$
		CIN(SIF)			3	10	pF
Audio Output Impedance	9	RO(AF)	Note 20	10	15	20	$\text{k}\Omega$

Note:

- $V_{AGC}=11.5\text{V}$, VIF Input : 45.5MHz, 1kHz, 30 AM Modulation. Adjust VIF input V_i level so that the detected output of Pin 12 with high impedance probe will be 0.8Vp-p and measure the input Level.
- $V_{AGC}=4\text{V}$. Measure VIF input level v_i is same as note 1 $\Delta A=20\log(V_i/V_i)(\text{dB})$
- VIF input : $f=45.75\text{MHz}$ CW 15mVrms. Measure the DC level of Pin12.
- VIF Input : $f=45.75\text{MHz}$ APL 100%. 87.5% AM Modulation. Pin 14 Open
 - Adjust VIF inpt level 50mVp-p and measure the detected output level $V_o(\text{p-p})$
 - Then increase the input level so that the detected output level will be $1.1* V_o(\text{p-p})$ and measure the input level.
- $V_{AGC}=8\text{V}$. VIF input : $f=45.75\text{MHz}\pm 10\text{MHz}$ variable or sweep 15mVrms measure DC level of Pin12.



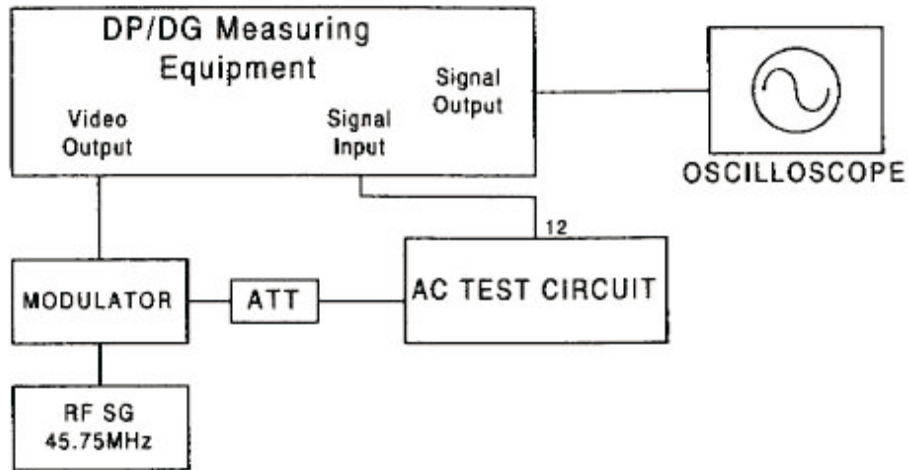
- $V_{AGC}=8\text{V}$. SG1:45.75MHz CW. SG2:45.65~27MHz variable.
 - Setting output of SG1 so that the DC level of Pin12 will be
 - Setting output of SG1(45.65MHz) so that the AC level of Pin12 will be 0.5Vp-p.
 - Decreasing frequency of SG2 until the AC level of Pin 12 will be 0.35vp-p(-3dB of 0.5Vp-p) then read $F_{SG2}=F$, $f_{BW}=45.75-F$ MHZ
- SG1:45.75MHz, 1kHz 80% AM Modulation 100mVrms. SG2 ,SG3:OFF. Setting VAGC so that the output AC level of Pin12 will be 2.7Vp-p. Measure CL of Pin12 after setting to 0% AM of SG1.
- Measure 2nd of Pin12 same as note 9.



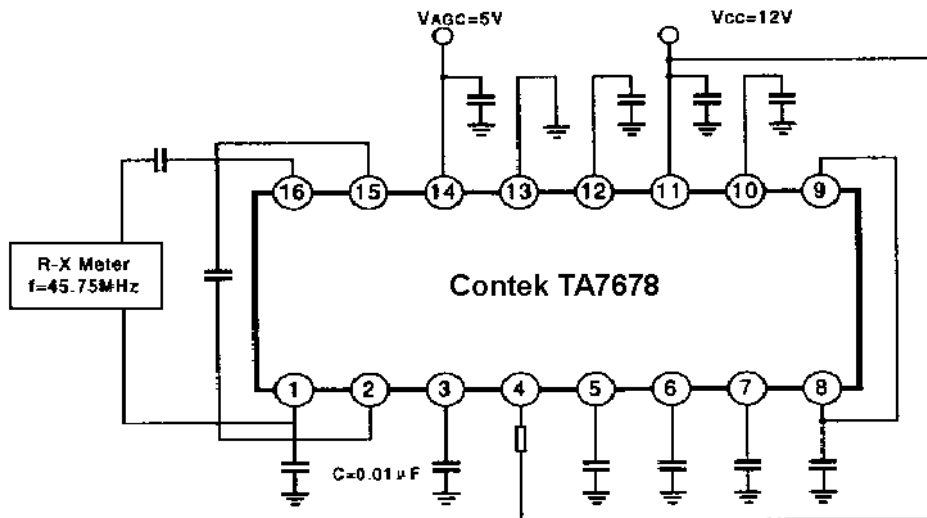
TA7678

LINEAR INTEGRATED CIRCUIT

5. DG,DP TEST CIRCUIT



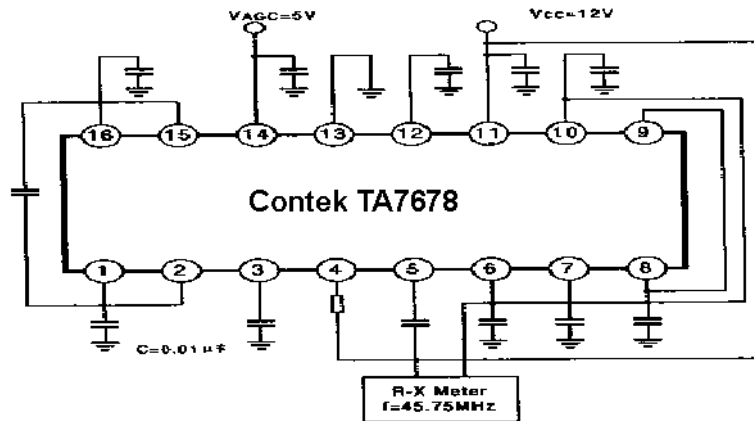
5. INPUT IMPEDANCE TEST CIRCUIT



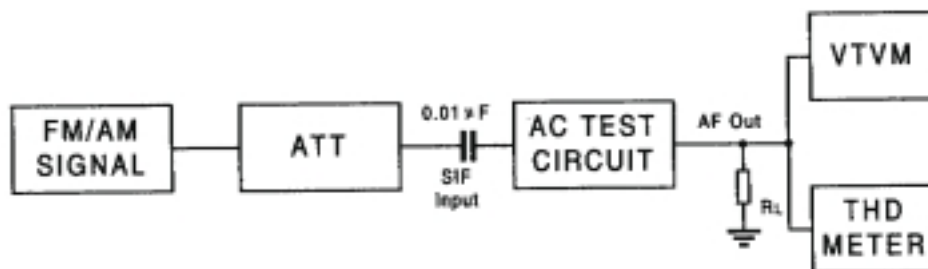
TA7678

LINEAR INTEGRATED CIRCUIT

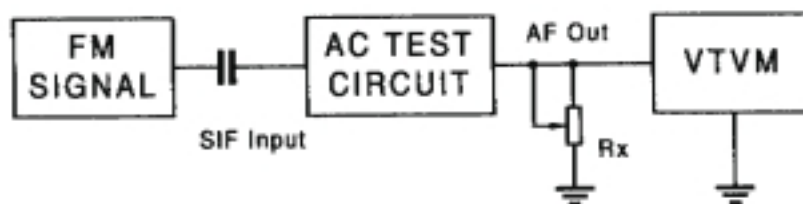
7. SIF INPUT IMPEDANCE TEST CIRCUIT



8. V_{IN(LIM)}, AMR, V_{OD}, THD, V_{OM} TEST CIRCUIT



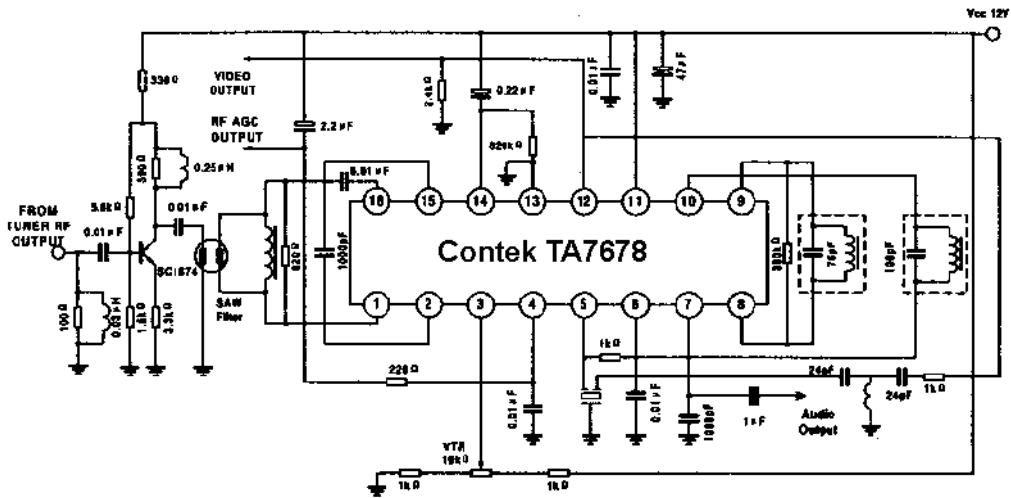
9. AUDIO OUTPUT IMPEDANCE TEST CIRCUIT



TA7678

LINEAR INTEGRATED CIRCUIT

TYPICAL APPLICATION CIRCUIT



Contek Microelectronics Co.,Ltd.

<http://www.contek-ic.com> E-mail:sales@contek-ic.com