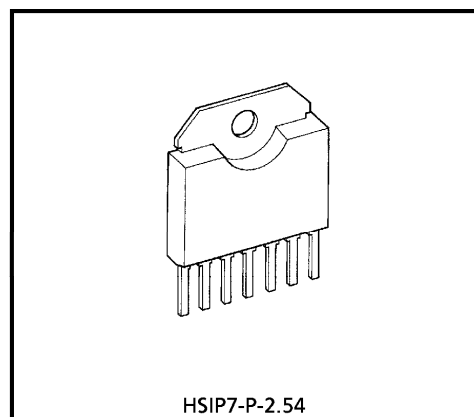


TA8050P

1.5A MOTOR DRIVER WITH BRAKE FUNCTION

The TA8050P is a 1.5A motor driver which directly drives a bidirectional DC motor. Inputs DI1 and DI2 are combined to select one of forward, reverse, stop, and brake modes. Since the inputs are TTL-compatible, this IC can be controlled directly from a CPU or other control system. The IC also has various protective functions.

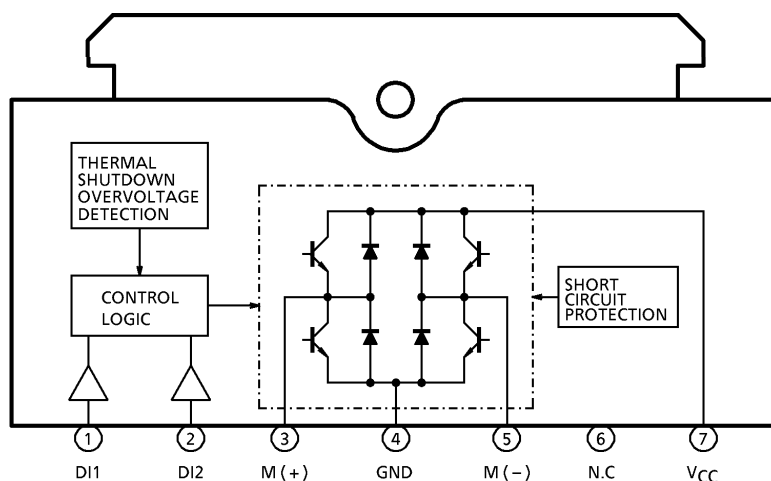


Weight : 1.9g (Typ.)

FEATURES

- Bidirectional DC motor driver
- Current capacity : 1.5A
- Four modes : Forward, Reverse, Stop, and Brake
- Protective functions : Thermal Shutdown, Short Circuit Protection, and Overvoltage Shutdown
- Built-in diode for counteracting counter electromotive force
- Plastic HSIP-7 pin

BLOCK DIAGRAM AND PIN LAYOUT



961001EBA2

- TOSHIBA is continually working to improve the quality and the reliability of its products. Nevertheless, semiconductor devices in general can malfunction or fail due to their inherent electrical sensitivity and vulnerability to physical stress. It is the responsibility of the buyer, when utilizing TOSHIBA products, to observe standards of safety, and to avoid situations in which a malfunction or failure of a TOSHIBA product could cause loss of human life, bodily injury or damage to property. In developing your designs, please ensure that TOSHIBA products are used within specified operating ranges as set forth in the most recent products specifications. Also, please keep in mind the precautions and conditions set forth in the TOSHIBA Semiconductor Reliability Handbook.
- The products described in this document are subject to foreign exchange and foreign trade control laws.
- The information contained herein is presented only as a guide for the applications of our products. No responsibility is assumed by TOSHIBA CORPORATION for any infringements of intellectual property or other rights of the third parties which may result from its use. No license is granted by implication or otherwise under any intellectual property or other rights of TOSHIBA CORPORATION or others.
- The information contained herein is subject to change without notice.

PIN DESCRIPTION

PIN No.	SYMBOL	DESCRIPTION
1	DI1	Output status control pin.
2	DI2	Connects to a PNP-type voltage comparator.
3	M (+)	Connects to the DC motor. Both the sink and the source have a current capacity of 1.5A. Diodes for absorbing counter electromotive force are contained on the V _{CC} and GND sides.
4	GND	Grounded
5	M (-)	Connects to the DC motor together with pin 3 and has the same function as pin 3. This pin is controlled by the inputs from pins 1 and 2.
6	(N.C)	Not connected
7	V _{CC}	Power supply pin. This pin has a function to turn off the output when the applied voltage exceeds 27.5V, thus protecting the IC and the load.

TRUTH TABLE

Input		Output	
DI1	DI2	M (+)	M (-)
H	H	L	L
L	H	L	H
H	L	H	L
L	L	OFF (high impedance)	

(Note) (Note)

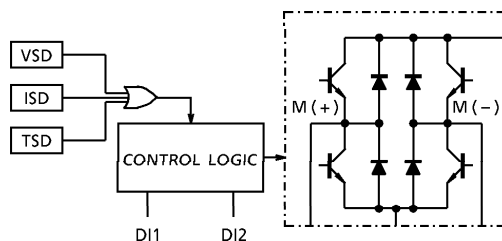
Note : Brake mode comes into effect when both M (+) and M (-) go low ; stop mode comes into effect when both M (+) and M (-) turn OFF.

DESCRIPTION OF MULTI-PROTECTIVE OPERATION

The TA8050P has functions for protection from overvoltage (V_{SD}), overcurrent (I_{SD}), and overheat (T_{SD}). These functions protect the IC (and the motor load in some cases) from deterioration or destruction due to power-related overstress.

The three functions work independently.

Each function is explained below.



1. Overvoltage protection (V_{SD})

● Basic operation

When the voltage supplied to the V_{CC} pin is up to the V_{SD} detection voltage, the output is controlled by the input signals. However, when the V_{CC} voltage exceeds the detection voltage, the output enters high-impedance state regardless of the input signals.

● Detailed explanation

The V_{SD} voltage is detected by comparing the Zener voltage with the voltage obtained by dividing V_{CC} with a resistor. When the center voltage of the resistor is higher than the Zener voltage, a transistor-off instruction is issued to the control logic. When it is lower than the Zener voltage, the logic is controlled by the input signals from pins 1 and 2.

2. Overheat protection (T_{SD})

● Basic operation

When the junction (chip) temperature is up to the T_{SD} detection temperature, the output is controlled by the input signals. When it exceeds the T_{SD} detection temperature, the output enters high-impedance state regardless of the input signals.

● Detailed explanation

The temperature is detected by monitoring V_F of a diode on the chip. When the diode V_F is lower than the internal reference voltage, an output transistor-off instruction is issued to the control logic. When it is higher than the internal reference voltage, the logic is controlled by the input signals from pins 1 and 2.

3. Overcurrent protections (I_{SD})

● Basic operation

When the output current (pin 3 or 5, I sink or I source) is up to the I_{SD} detection current, the output is controlled by the input signals. When it exceeds the detection current, the output assumes a switching waveform as shown in Fig.1.

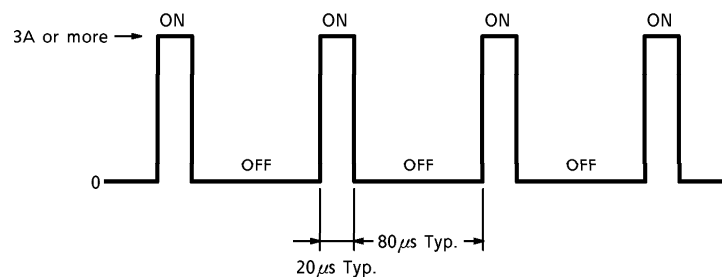


Fig.1 Basic Operation

● Detailed explanation

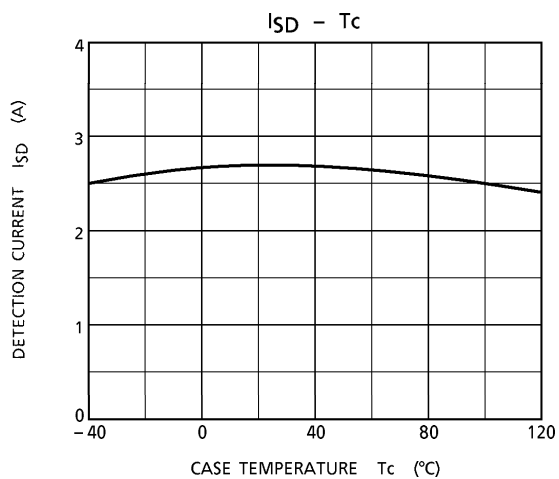
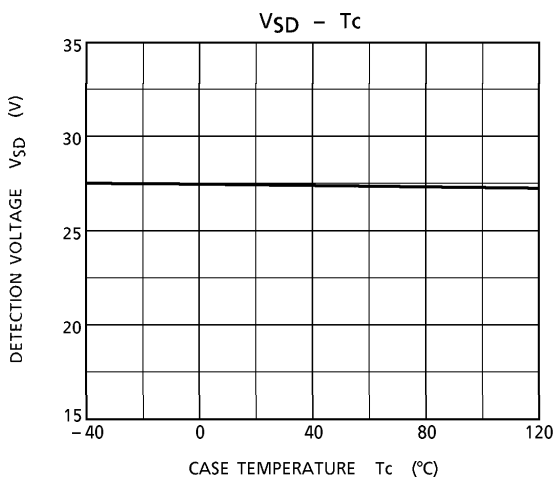
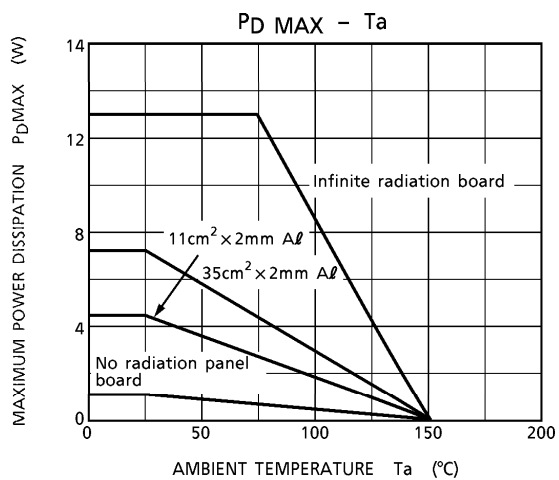
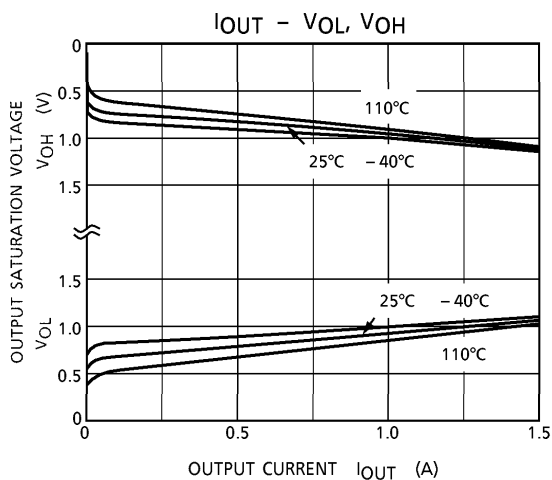
The output current is detected by monitoring the V_{BE} from each output transistor. One detection circuit connects to one of the output transistors and leads to the short-circuit protection circuit. When a current exceeding the I_{SD} detection current flows through one of the four output transistors, the short-circuit protection circuit is activated. This circuit contains a timer. When overcurrent condition continues for $20\mu s$ (typically), the protection circuit places the output in high-impedance mode and, $80\mu s$ (typically) later, returns the IC to ON mode. The switching-waveform output is repeated until overcurrent condition is no longer present.

MAXIMUM RATINGS (Ta = 25°C)

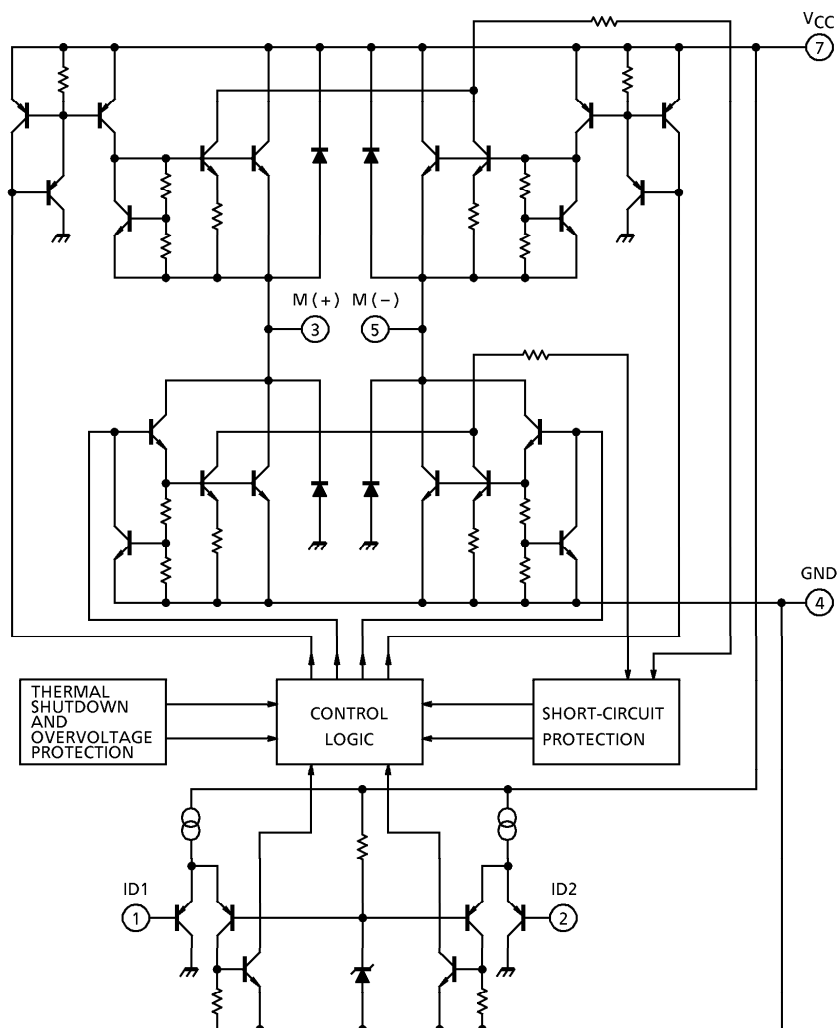
CHARACTERISTIC	SYMBOL	RATING	UNIT
Supply Voltage	V _{CC}	30	V
	V _{CC}	60 (1s)	
Input Voltage	V _{IN}	-0.3 to V _{CC}	V
Output Current	I _{O·AVE}	1.5	A
Operation Temperature	T _{opr}	-40 to 110	°C
Storage Temperature	T _{stg}	-55 to 150	°C
Power Dissipation	P _D	12.5	W
Lead Temperature-time	T _{sol}	260 (10s)	°C

ELECTRICAL CHARACTERISTICS (V_{CC} = 6 to 16V, T_c = -40 to 110°C)

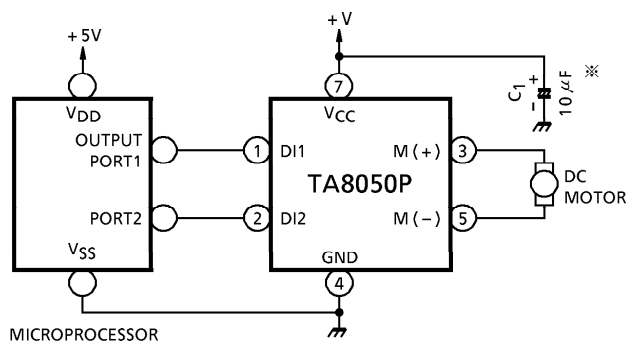
CHARACTERISTIC	SYMBOL	PIN	TEST CIRCUIT	TEST CONDITION	MIN.	TYP.	MAX.	UNIT
Current Consumption	I _{CC1}	V _{CC}	—	Stop	—	8	15	mA
	I _{CC2}		—	Forward / Reverse	—	27	50	
	I _{CC3}		—	Brake	—	16	30	
Input Voltage	V _{IL}	DI1	—	—	—	—	0.8	V
	V _{IH}	/ DI2	—	—	2.0	—	—	
Input Current	I _{IL}	DI1	—	V _{IN} = 0.4V	—	—	-100	μA
	I _{IH}	/ DI2	—	V _{IN} = V _{CC}	—	—	100	
Output Saturation Voltage	V _{sat} (total)	M (+)	—	I _O = 1.5A, T _c = 25°C	—	2.2	2.9	V
		/ M (-)	—	I _O = 1.5A, T _c = 110°C	—	2.2	2.8	
Output Leakage Current	I _{LEAK·U}	M (+)	—	V _O = 0V	—	—	-100	μA
	I _{LEAK·L}	/ M (-)	—	V _O = V _{CC}	—	—	100	
Diode Forward Voltage	V _{F·U}	M (+)	—	I _F = 1.5A	—	2.6	—	V
	V _{F·L}	/ M (-)	—		—	1.5	—	
Overcurrent Detection	I _{SD}	—	—	—	1.8	3	4	A
Shutdown Temperature	T _{SD}	—	—	—	—	150	—	°C
Overvoltage Detection	V _{SD}	—	—	—	25	27.5	30	V
Thermal Resistance	R _{θj-c}	—	—	—	—	4	—	°C/W
Transfer Delay Time	t _{pLH}	—	—	—	—	1	10	μs
	t _{pHL}	—	—	—	—	1	10	



I/O EQUIVALENT CIRCUIT



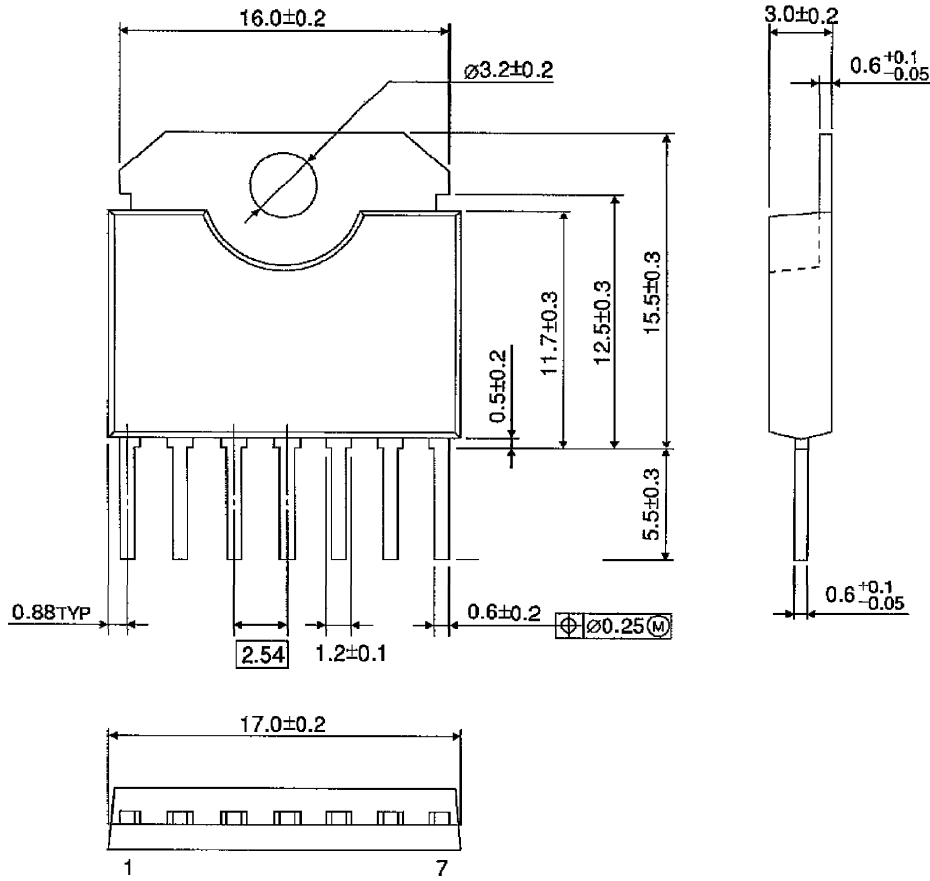
EXAMPLE OF APPLICATION CIRCUIT



※ Connect this capacitor as close to the IC as possible.

OUTLINE DRAWING
HSIP7-P-2.54

Unit : mm



Weight : 1.9g (Typ.)