

Video Processor with RGB Insertion

Technology: Bipolar

Features

- Capacitive coupling of color difference-, Y input signals with black level clamping in the output stages
- Linear saturation adjustment at the color difference input stage
- (G-Y)- and RGB matrix
- Linear processing of inserted RGB-signals
- Same black level for inserted as for matrixed signals
- Linear contrast and brightness adjustment acting on inserted and matrixed signals
- Peak white limiting
- Horizontal and vertical blanking and black level clamping by a super sandcastle-pulse
- White level adjustment by three electronic potentiometers
- Emitter follower output stages as well as drivers for RGB-power stages
- Three identical RGB channels

Case: 28-pin dual inline plastic

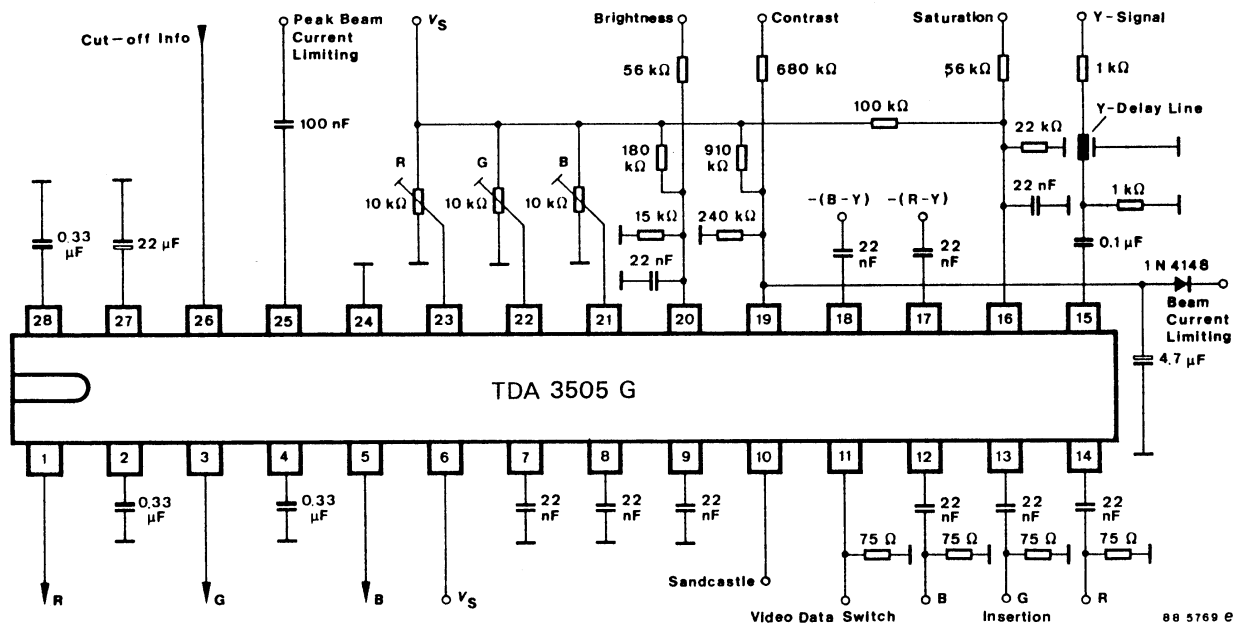


Figure 1 Application circuit

Absolute Maximum Ratings

Reference point Pin 24

Parameters	Symbol	Value	Unit
Supply voltage Pin 6	V_S	13.2	V
External voltages Pins 10, 21, 22, 23, 25 and 26 Pins 16, 19 and 20 Pin 11 No dc voltages allowed at Pins: 1 to 5, 7 to 9, 12 to 15, 17, 18, 27 and 28	V_{ext}	0 to V_S 0 to 0.5 V_{SS} -0.5 to +3	V
Currents Pins 1, 3 and 5 Pin 19 Pin 20 Pin 25	$-I_o$ I_I I_I $-I_I$	3 10 5 5	mA mA mA mA
Power dissipation $T_{amb} = 25^\circ\text{C}$	P_{tot}	1.7	W
Junction temperature	T_j	125	$^\circ\text{C}$
Ambient temperature range	T_{amb}	0 to +70	$^\circ\text{C}$
Storage temperature range	T_{stg}	-25 to +150	$^\circ\text{C}$

Electrical Characteristics

 $V_S = 12\text{ V}$, figure 1, reference point Pin 24, $T_{amb} = 25^\circ\text{C}$, unless otherwise specified.

Parameters	Test Conditions / Pins	Symbol	Min.	Typ.	Max.	Unit
Supply voltage	Pin 6	V_S	10.8		13.2	V
Supply current	Pin 6	I_S		85		mA
Color difference stages						
Input voltage	-(B-Y)-signal for 75% color Pin 18 -(R-Y)-signal for 75% color Pin 17	V_{ipp}		1.33 1.05		V
Input resistance	Pins 17 and 18	R_i	100			$k\Omega$
Input current during scanning	Pins 17 and 18	I_i			1	μA
Internal bias clamping voltage	Pins 17 and 18	V_I		4.2		V
Saturation						
Control voltage range	$\Delta_{Sat} = -20$ to +6 dB Pin 16	V_I		2.1 to 4.3		V
Control voltage for attenuation	$d_{Sat} \geq 40$ dB $d_{satnom} = 0$ dB	V_I		3.1	1.8	V
Input current		I_I			20	μA

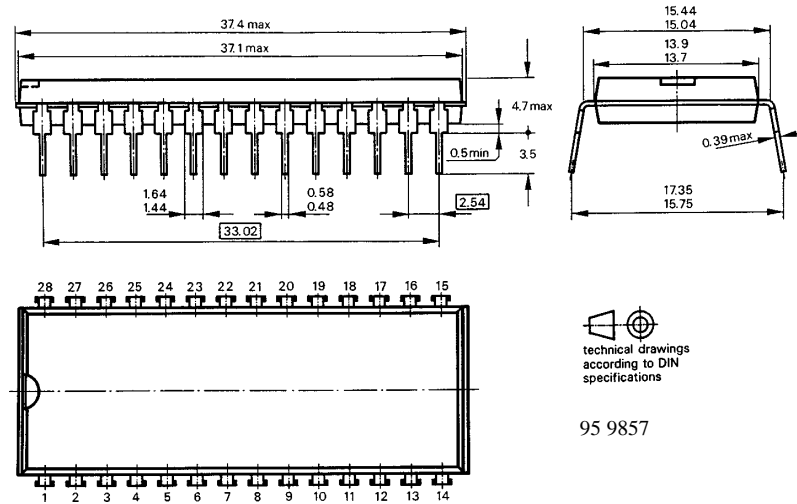
Parameters	Test Conditions / Pins	Symbol	Min.	Typ.	Max.	Unit
Luminance amplifier Pin 15						
Comp. video signal amplitude		V_I		0.45		V
Input resistance		R_i	100			$k\Omega$
Input current during scanning		I_I			1	μA
Internal bias voltage		V_I		2.7		V
RGB-Channels, signal switch pin 11						
Signal insertion	“ON” “OFF”	V_I	0.9		3 0.4	V
Input current		I_I	-100 to + 200			μA
RGB insertion inputs Pins 12, 13 and 14						
Black-white input signal	$V_{11} \leq 0.4 \text{ V}^1)$ $V_{11} \geq 0.9 \text{ V}^1)$	V_{Ipp} V_I V_I		1 4.3 4.4		V
Input currents during scanning		I_i			1	μA
Contrast Pin 19						
Control voltage range	$\Delta_{Contr} = -18 \text{ to } +3 \text{ dB}$	V_I		2 to 4.3		V
Control voltage	$d_{Contr \text{ nom}} = 0 \text{ dB}$ $d_{Contr \text{ nom}} = -6 \text{ dB}$	V_I		3.6 2.8		V
Input current	$V_{25} \geq 6 \text{ V}$	I_I			2	μA
Peak beam current limiting						
Internal bias voltage	Pin 25	V_I		5.5		V
Input resistance	Pin 25	R_i		10		$k\Omega$
Contrast control input current	$V_{25} = 5.1 \text{ V}$ Pin 19	I_I		17		mA
Brightness Pin 20						
Control voltage range		V_I	1		3	V
Input current		I_I			10	μA
Control voltage for nom. black level		V_I			2	V
Black level change in the control range w.r.t. the nom. black-white signal				± 50		%
Internal signal limiting w.r.t. the nom. black-white signal and nom. black level	“black” direction “white” direction			-25 120		%
White adjustment Pins 21, 22 and 23						
AC amplification ²⁾	$V_{21,22,23} = 5.5 \text{ V}$ $= 0 \text{ V}$ $= 12 \text{ V}$	G_v		100 60 140		%
Input resistance		R_i		20		$k\Omega$

Parameters	Test Conditions / Pins	Symbol	Min.	Typ.	Max.	Unit
RGB emitter follower outputs Pins 1, 3 and 5						
Nom.: Contr, Sat, white adjustment Output signals	Black-white	V_{0pp}		2		V
Black level without cut off control	$V_{2,4,28} = 10$ V	V_0		6.7		V
Current of the internal current sources		I		3		mA
Cut off control range		ΔV_0		4.6		V
Cut off control Pin 26						
Input voltage range		V_I	0		6.5	V
Voltage difference between cut off and leakage current levels ³⁾		ΔV_I		0.5		V
Input voltage clamping during flyback		V_I		0		V
Amplifications, nom.: Contr, Sat, white adjustment, reference point Pin 15						
Voltage amplification	Pins 1, 3 and 5	G_V		16		dB
Frequency response	B = 0 to 5 MHz	d			3	dB
(R-Y)-signal, reference point Pin 17						
Voltage amplification	Output R Pin 1	G_V		6		dB
Frequency response	B = 0 to 2 MHz Pin 1	d			3	dB
(B-Y)-signal, reference point Pin 18						
Voltage amplification	Output B Pin 5	G_V		6		dB
Frequency response	B = 0 to 2 MHz Pin 5	d			3	dB
RGB insertion signals, reference point Pins 12, 13 and 14						
Voltage amplification	Pins 1, 3 and 5	G_V		6		dB
Frequency response	B = 0 to 6 MHz Pins 1, 3 and 5	d			3	dB
Sandcastle detector with 3 thresholds for separation of sandcastle pulse, pin 10						
H- and V-pulses blanking to ultra black (-25 %)		V_i	2		3	V
H-pulse		V_i	4		5	V
Clamping pulse	$t_p \geq 3.5$ μ s	V_I	7.5			V
No gating		V_I			1	V
Input current		$-I_I$			110	μ A

- 1) During clamping pulse time the inserted signals are clamped at the black level of the RGB signals matrixed by the color difference – and Y-stages ($V_{11} \leq 0.4$ V). At $V_{11} \geq 0.9$ V the inserted signals are clamped at an internal bias voltage.
- 2) If the inputs for white adjustment (Pins 21, 22 and 23) are not connected there is an internal bias voltage of 5.5 V.
- 3) Black level at the measured channel at nom. value where is in other two channels at ultra black level.
By leakage current measure: all three channels gated at ultra black level.

Dimensions in mm

Package: DIP 28



We reserve the right to make changes to improve technical design without further notice.

Parameters can vary in different applications. All operating parameters must be validated for each customer application by the customer. Should the buyer use TEMIC products for any unintended or unauthorized application, the buyer shall indemnify TEMIC against all claims, costs, damages, and expenses, arising out of, directly or indirectly, any claim of personal damage, injury or death associated with such unintended or unauthorized use.

TEMIC TELEFUNKEN microelectronic GmbH, P.O.B. 3535, D-74025 Heilbronn, Germany
Telephone: 49 (0)7131 67 2831, Fax Number: 49 (0)7131 67 2423