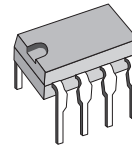


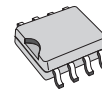
PROXIMITY DETECTORS

- OUTPUT CURRENT : 10mA
- OSCILLATOR FREQUENCY : 10 MHz
- SUPPLY VOLTAGE : + 4 TO + 35 V



Minidip

ORDERING NUMBER : TDA0161DP



SO8

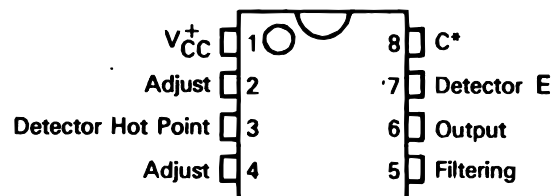
ORDERING NUMBER : TDA0161FP

DESCRIPTION

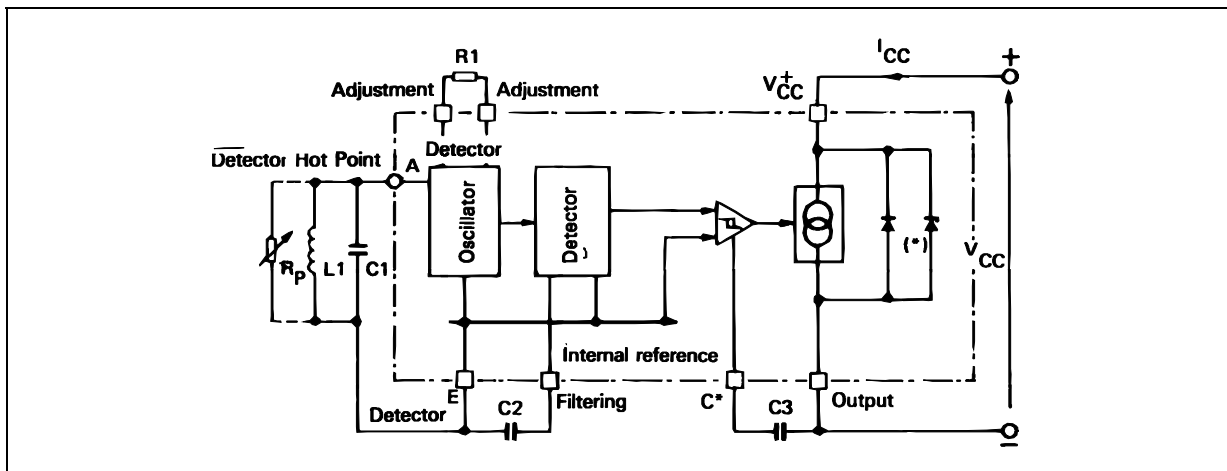
These monolithic integrated circuits are designed for metallic body detection by detecting the variations in high frequency Eddy current losses. With an external tuned circuit they act as oscillators. Output signal level is altered by an approaching metallic object.

Output signal is determined by supply current changes. Independent of supply voltage, this current is high or low according to the presence or the absence of a close metallic object.

PIN CONNECTION (top view)



SCHEMATIC DIAGRAM



ABSOLUTE MAXIMUM RATINGS

Symbol	Parameter	Value	Unit
V _{CC}	Supply Voltage	35	V
T _j	Junction Temperature	+150	°C
T _{stg}	Storage Temperature Range	-55 to +150	°C

ELECTRICAL CHARACTERISTICS

TDA0161DP -40°C < T_{amb} < +100°C

TDA0161FP -40°C < T_{amb} < +100°C

P_{tot} < 150mW, unless otherwise specified

Symbol	Parameter	Min.	Typ.	Max.	Unit
V _{CC}	Supply Voltage	4		35	V
	Reverse Voltage Limitation (I _{CC} = -100 mA)		1		V
I _{CC}	Supply Current, Close Target (T _{amb} = +25°C) +4V < V _{CC} < +35V	8	10	12	mA
I _{CC}	Supply Current, Remote Target +4V < V _{CC} < +35V			1	mA
	Supply Current Transition Time C3 = 0 C3 ≠ 0		1 (100 x C3 (nF))		µs
f _{osc}	Oscillator Tuning Frequency			10	MHz
f _o	Output Frequency (C3 = 0)	0		10	kHz
ΔI _{CC}	Output Current Ripple - C3 = 0, C2 (pF) > 150/f _{osc} (MHz)			20	µA
R _n	Negative Resistance on Terminals A and E 4kΩ < R1 < 50kΩ, f _{osc} < 3 MHz	0.9 R1	R1	1.1 R1	
H _{yst}	Hysteresis at Detection Point C2 (Pf) > 150/f _{osc} (MHz)	0.5		5	%

* If the circuit is used at a frequency higher than 3MHz, it is recommended to connect a capacitor of 100pF between terminals E and D.

OPERATING MODE

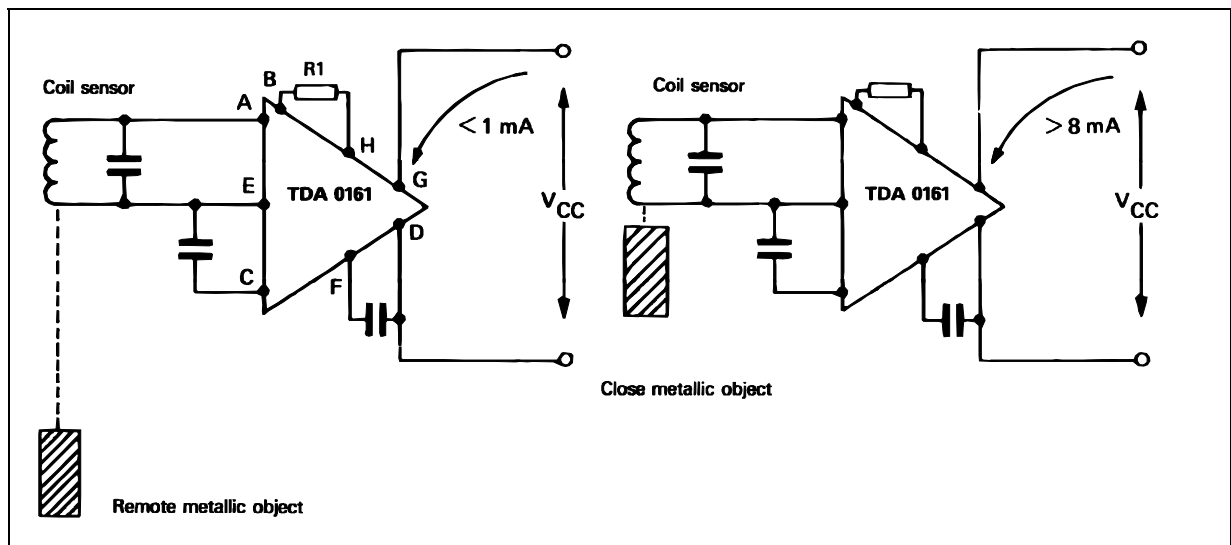
Between terminals A and E, the integrated circuit acts like a negative resistance equal to the external resistor R1 connected between terminals B and H.

The oscillation stops when loss resistance R_p of tuned circuit becomes smaller than R1. Then, the

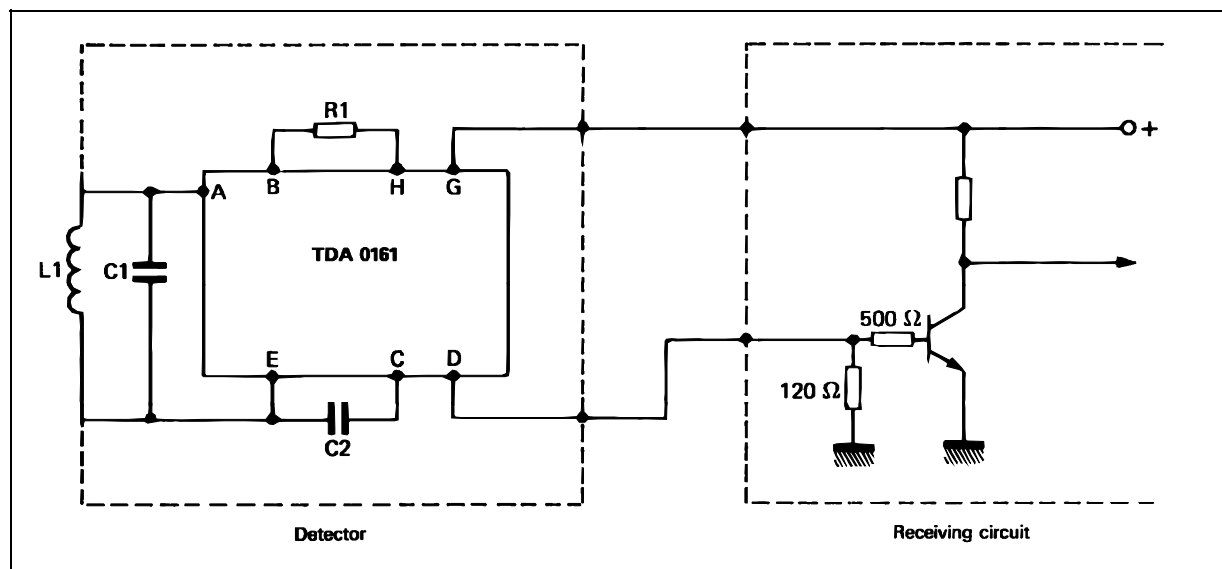
supply current will be I_{CC} = 10mA (pins G and D).

The oscillation sustains when loss resistance R_p of tuned circuit becomes higher than R1. Then, the supply current will be I_{CC} 1mA (pins G and D).

Eddy currents induced by coil L1 in a metallic body, determine loss resistance R_p.



TYPICAL APPLICATIONS



Detection Range (*)	L1 (μH)	C1 (pF)	f _{osc} (kHz)	R1 (kΩ)	C2 pF
2mm	30 (1)	120	2650	6.8	47
5mm	300 (2)	470	425	27	470
10mm	2160 (3)	4700	50	27	3300

(*) Ingot steel target

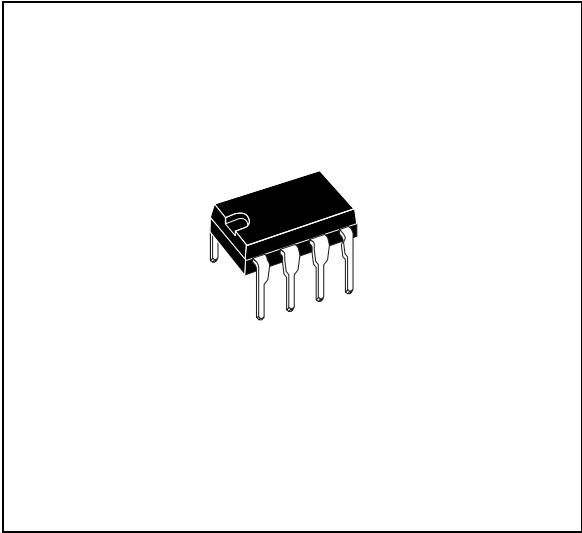
COIL CHARACTERISTICS

	Core	Coil Former	Wire**	Number of Turns
1	Cofelec 432 FP 9 x 5 SE	1/2 CAR 091 - 2	THOMSON Fils et Câbles Thomrex 14 (14/100mm)	40
2	Cofelec 432 FP 14 x 8 SE	1/2 CAR 142 - 2	THOMSON Fils et Câbles Thomrex 14 (14/100mm)	100
3	Cofelec 432 FP 26 x 16 SE	1/2 CAR 262 - 2	THOMSON Fils et Câbles Thomrex 14 (14/100mm)	200

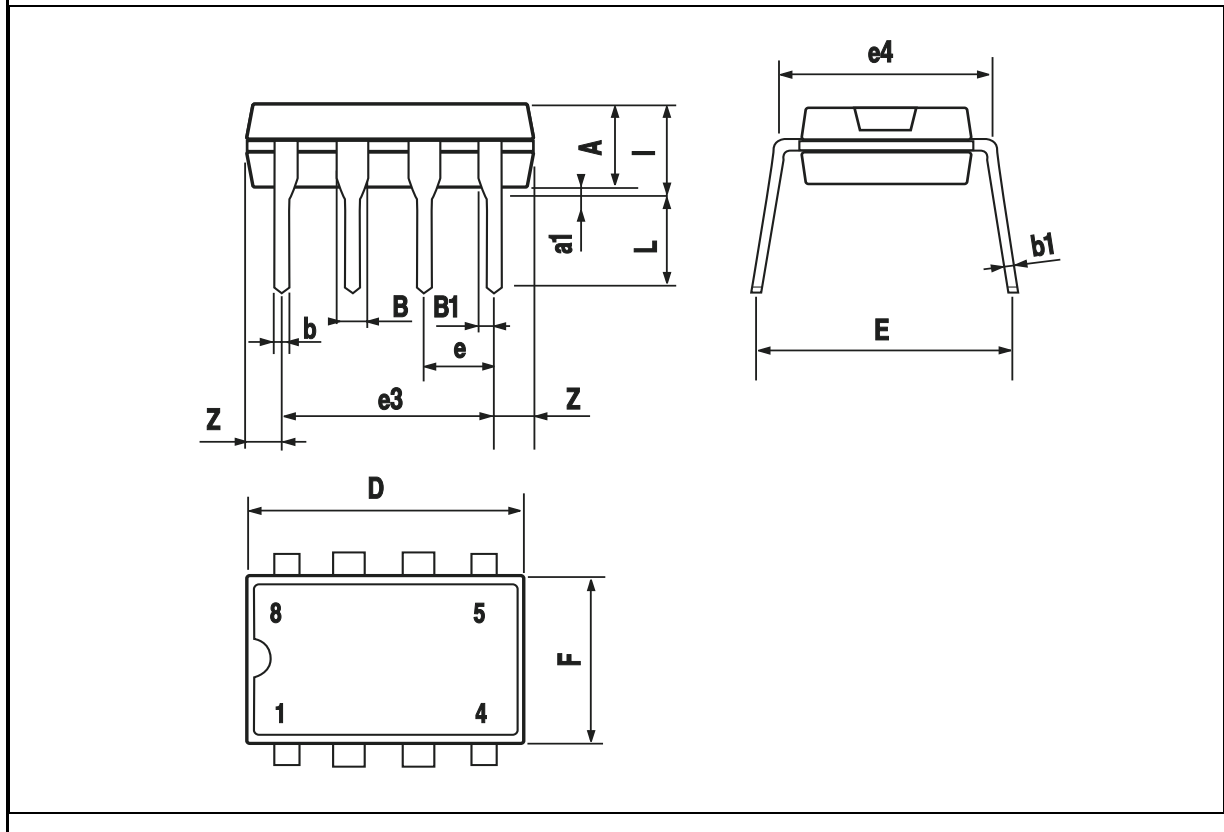
** The above results are obtained with single wire coil. When using Litz wire instead of single wire, the parallel resistance of the coil becomes higher and the value of R1 may be increased, resulting in better sensitivity.

DIM.	mm			inch		
	MIN.	TYP.	MAX.	MIN.	TYP.	MAX.
A		3.32			0.131	
a1	0.51			0.020		
B	1.15		1.65	0.045		0.065
b	0.356		0.55	0.014		0.022
b1	0.204		0.304	0.008		0.012
D			10.92			0.430
E	7.95		9.75	0.313		0.384
e		2.54			0.100	
e3		7.62			0.300	
e4		7.62			0.300	
F			6.6			0.260
I			5.08			0.200
L	3.18		3.81	0.125		0.150
Z			1.52			0.060

OUTLINE AND MECHANICAL DATA

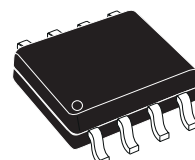


Minidip



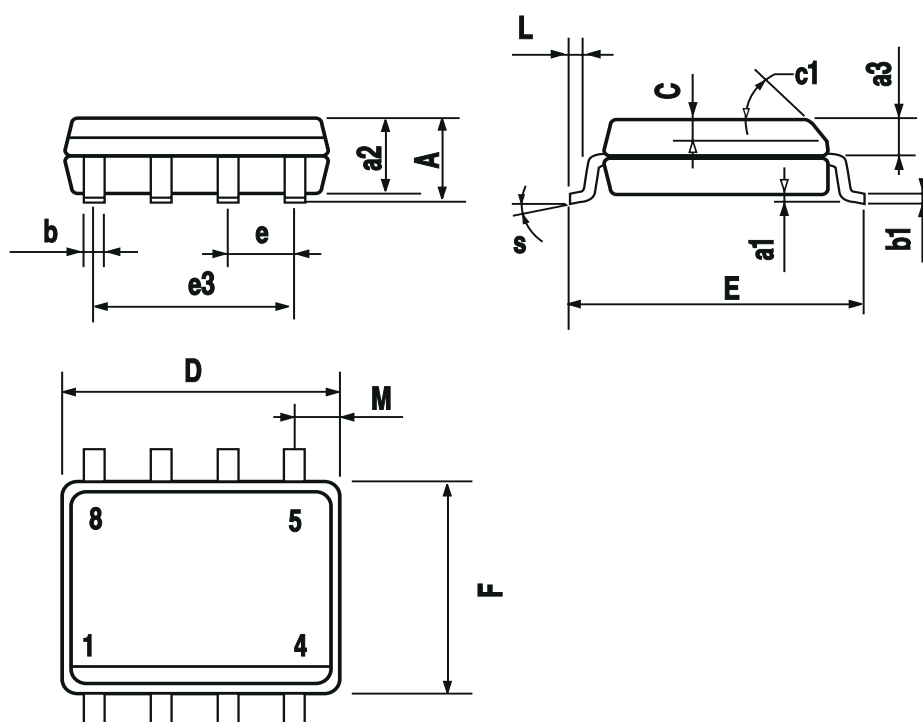
DIM.	mm			inch		
	MIN.	TYP.	MAX.	MIN.	TYP.	MAX.
A			1.75			0.069
a1	0.1		0.25	0.004		0.010
a2			1.65			0.065
a3	0.65		0.85	0.026		0.033
b	0.35		0.48	0.014		0.019
b1	0.19		0.25	0.007		0.010
C	0.25		0.5	0.010		0.020
c1	45° (typ.)					
D (1)	4.8		5.0	0.189		0.197
E	5.8		6.2	0.228		0.244
e		1.27			0.050	
e3		3.81			0.150	
F (1)	3.8		4.0	0.15		0.157
L	0.4		1.27	0.016		0.050
M			0.6			0.024
S	8° (max.)					

OUTLINE AND MECHANICAL DATA



SO8

(1) D and F do not include mold flash or protrusions. Mold flash or protrusions shall not exceed 0.15mm (.006inch).



Information furnished is believed to be accurate and reliable. However, STMicroelectronics assumes no responsibility for the consequences of use of such information nor for any infringement of patents or other rights of third parties which may result from its use. No license is granted by implication or otherwise under any patent or patent rights of STMicroelectronics. Specifications mentioned in this publication are subject to change without notice. This publication supersedes and replaces all information previously supplied. STMicroelectronics products are not authorized for use as critical components in life support devices or systems without express written approval of STMicroelectronics.

**The ST logo is a registered trademark of STMicroelectronics.
All other names are the property of their respective owners**

© 2003 STMicroelectronics - All rights reserved

STMicroelectronics GROUP OF COMPANIES

Australia – Belgium - Brazil - Canada - China – Czech Republic - Finland - France - Germany - Hong Kong - India - Israel - Italy - Japan - Malaysia - Malta - Morocco - Singapore - Spain - Sweden - Switzerland - United Kingdom - United States
www.st.com

Вы скачали этот файл с сайта «Сайт радиолюбителей»



Другие разделы сайта

Раздел БИБЛИОТЕКА

Книги для и журналы радиолюбителям

<http://radio-uchebnik.ru/library/>

Раздел РАДИОСХЕМЫ

Различные схемы как для начинающих так и для профессионалов:

Схемы бытовой техники, телевизоров, мониторов, автомагнитол, музыкальных центров, и для самостоятельной сборки

<http://radio-uchebnik.ru/shem/>

Раздел ФАЙЛОВОЕ ХРАНИЛИЩЕ

Различные файлы: Даташиты, схемы, прошивки и так далее

<http://radio-uchebnik.ru/downfiles/>

Раздел РАДИОКОМПАС

Если Вы занимаетесь ремонтом электроники на профессиональном уровне- то Вы можете сообщить о себе.

<http://radio-uchebnik.ru/radiomap/>

Раздел ДОСКА ОБЪЯВЛЕНИЙ

Здесь Вы можете разместить бесплатное объявление сроком до 120 дней (только радиотематика!!)

<http://radio-uchebnik.ru/ads/>

Раздел СПРАВОЧНИК ПО МИКРОСХЕМАМ

Справочные данные на микросхемы импортного и отечественного производства

<http://radio-uchebnik.ru/microbase/>

Раздел СТАТЬИ

Различные статьи радиолюбительской (и не только) тематики: секреты телемастера, практическая электроника, альтернативная энергия, расчеты по электронике, электронные устройства и так далее

<http://radio-uchebnik.ru/txt/>

ФОРУМ НАШЕГО САЙТА

<http://radio-uchebnik.ru/forum/>