

S/M NO : DSL19T2WCH

Service Manual LCD TV

CHASSIS :

Model : DSL19T2WCH

DAEWOO

Caution

: In this Manual, some parts can be changed for improving, their performance without notice in the parts list. So, if you need the latest parts information, please refer to PPL(Parts Price List)in Service Information Center.

DAEWOO
ELECTRONICS



JUL. 2008

Contents

1.Safety Precaution	3
2.Product Specification	4
2-1.Product Specification	4
2-2.Available Input Signal	5
2-2-1.HDMI/PC/COMPONENT	5
2-2-2.VIDEO	5
3.Block Diagram	6
4.Description of Each Block	7
4-1.Overview	7
4-1-1.AV4_CVBS	7
4-1-2.S1- S-VIDEO	7
4-1-3.HDMI	8
4-1-4.PC	8
4-1-5.COMPONENT-Y Pb Pr	11
4-1-6.Sound Output	12
4-2.POWER PCB	12
4-2-1.Input Characteristics	12
4-2-2.Output Characteristics	13
4-2-3.Protection Characteristics	14
4-2-4.Environmental Characteristics	15
4-2-5.Mechanical Characteristics	16
5.Main PCB Trouble Diagnosis	20
5-1. Power Supply trouble	20
5-2. Display Trouble (exceptional screen)	21
5-3. Display Trouble (white screen)	22
5-4. Display Trouble (black screen)	23
5-5. Audio Trouble (No sound)	24
5-6. Audio Trouble (TV video)	25
5-7. Function Trouble (TV audio)	26
5-8. Function Trouble (PC)	27
5-9. Function Trouble (SCART、HDMI etc.)	28
5-10. Function Trouble (DVB-T no picture)	29
5-11. Function Trouble (DVB-T no audio)	30
5-12. Function Trouble (DVB-T) The common interface problem	31
6.Trouble Diagnosis	32
6-1. Facts you must know when trouble Diagnosing or Repairing	32
6-2. Typical Symptoms of PCBs problem or dad connection	33
7.Exploded View	34
8.Service part list	35
9.Circuit Diagram	40
10.Bom	45

1. Safety Precautions

- (1) When moving or laying down a LCD Set, please deal with care. Avoid any impact towards the LCD Set.
- (2) Do not leave a broken LCD Set on for a long time. To prevent any further damages, after check the broken Set's condition, make sure to turn the power(AC) off.
- (3) When opening the BACK COVER, you must turn off power(AC) to prevent any electric shock.
- (4) When loosening screws, check the connecting position and type of the screw. Sort out the screws and store them separately because screws holding PCBs are working as electric circuit grounding. Make sure to check if any screw is missing when assembling.
- (5) A LCD Sets contains different kinds of connector cables. When connecting or disconnecting connector cables, check the direction and position of the cable beforehand.
- (6) When disconnecting connectors unplug the connectors slowly with care.
- (7) Connecotrs are designed so that if the number of pins or the direction does not match, connectors will not fit. When having problem in plugging the connectors, make sure to check their kind, position and direction.

2. Product Specification

2-1.PRODUCT SPECIFICATION

Features		15" Model	19" Model	22" Model
LCD Panel	Screen Size	15"	19"	22"
	Aspect Ratio	16 : 10	16 : 10	16 : 10
	Resolution	1280x800(WXGA)	1440x900(WXGA)	1680x1050(WXGA)
	Pixel Pitch	0.2588mm x 0.2588mmx RGB	0.2835mm x 0.2835mmx RGB	0.282mm x 0.282mmx RGB
	Contrast Ratio	400 : 1	800 : 1	700 : 1
TV System	Receiving System	PAL,SECAM, NTSC(AV)	PAL,SECAM, NTSC(AV)	PAL,SECAM, NTSC(AV)
	Stereo System	FM MONO / 2- Carrier,NICAM	FM MONO / 2- Carrier,NICAM	FM MONO / 2- Carrier,NICAM
	Channel Memory	ANALOG : 0~99CH	ANALOG : 0~99CH	ANALOG : 1~99CH
Input Connector	RF	75 Ohm Coaxial	75 Ohm Coaxial	75 Ohm Coaxial
	S_Video	1	1	1
	RCA	2 (CVBS, Monitor Out)	2 (CVBS, Monitor Out)	2 (CVBS, Monitor Out)
	Component	RCA x 1	RCA x 1	RCA x 1
	PC RGB	D-Sub x 1	D-Sub x 1	D-Sub x 1
	PC Audio	3.5mm Mini-Jack	3.5mm Mini-Jack	3.5mm Mini-Jack
	HDMI	1	1	1
Output Connector	Headphone	3.5mm Mini-Jack	3.5mm Mini-Jack	3.5mm Mini-Jack
Sound Output		3W	3W	3W
Power Consumption	Max	60	60	60
	Power Source	12V, DC	12V, DC	12V, DC
Dimension(W x H x D) (mm)		460 x 215 x 400	525 x 240 x 470	598 x 240 x 520

Product Specification

2-2.Available Input Signal

2-2-1.HDMI/PC/COMPONENT

Resolution	V-freq	HDMI	PC(D-Sub)	Component	Standard
640 x 480	60Hz	O	O	X	
	72Hz	O	O	X	
	75Hz	O	O	X	VESA Standard
800 x 600	60Hz	O	O	X	VESA Standard
	72Hz	O	O	X	VESA Standard
	75Hz	O	O	X	
1024 x 768	60Hz	O	O	X	VESA Standard
	70Hz	O	O	X	VESA Standard
	75Hz	O	O	X	VESA Standard
1360(6) x 768 (1280 x 768)	60Hz	X	O	X	
	75Hz	X	O	X	
720 x 480	60Hz	O	X	O	
720 x 576	50Hz	O	X	O	
1280 x 720	50Hz	O	O	O	
	60Hz	O	O	O	
1920 x 1080i	50Hz	O	X	O	
	60Hz	O	X	O	
720 x 480i	60Hz	X	X	O	
720 x 576i	50Hz	X	X	O	

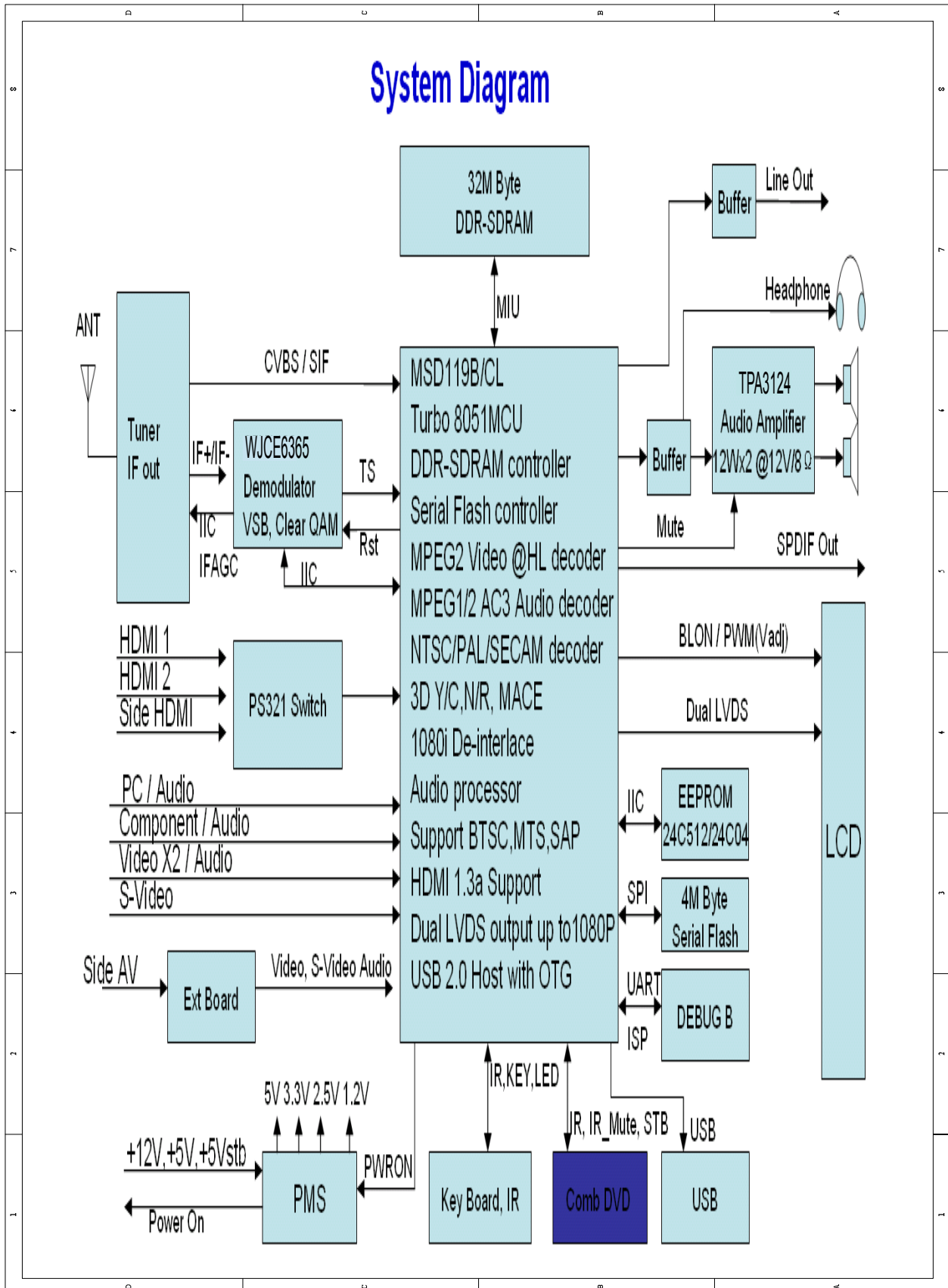
Note : '1360(6) x 768' is same with '1280 x 768'(Only different from OSD display)

2-2-2.VIDEO

- PAL, PAL-M, PAL-N
- NTSC, NTSC4.43
- SECAM

3. Block Diagram

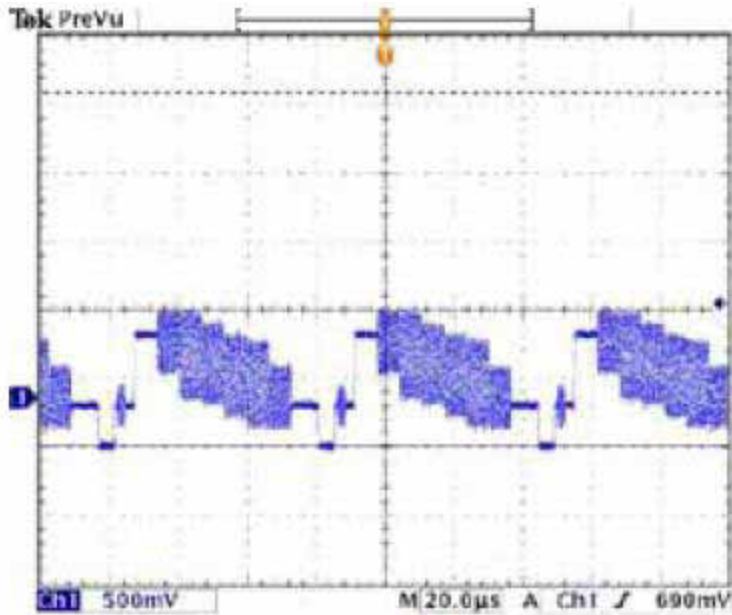
Block Diagram



4.Description of Each Block

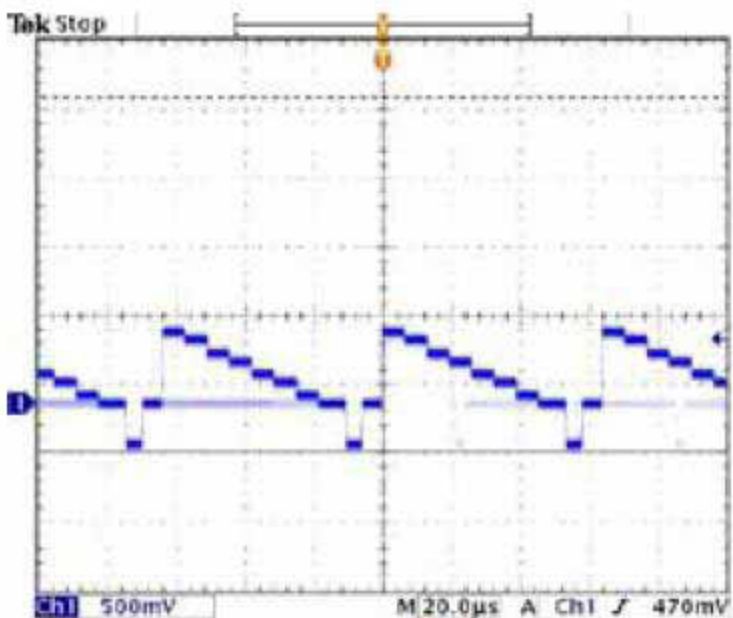
4-1-1 AV4_CVBS

CVBS signal(input to U1 3), :L110\R193\C124



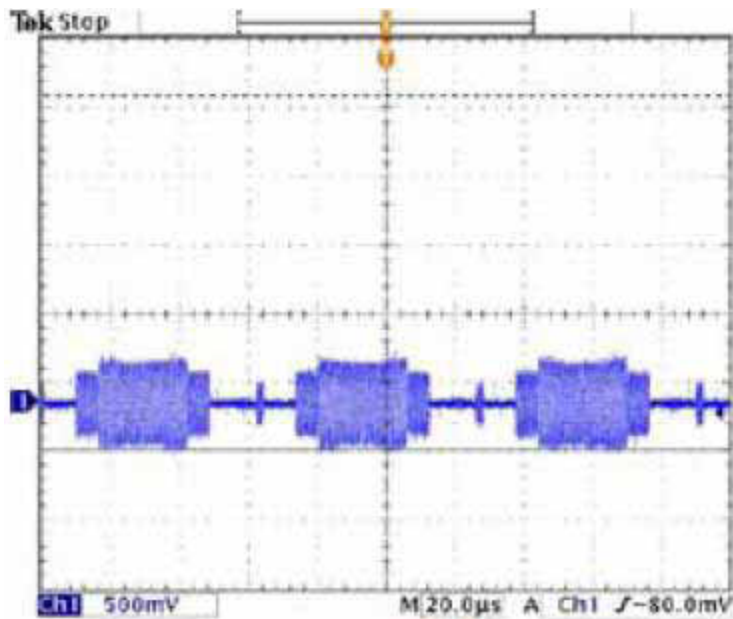
4-1-2 S1_S-VIDEO

Y signal(input to U 1 3) :L112\R81\C119



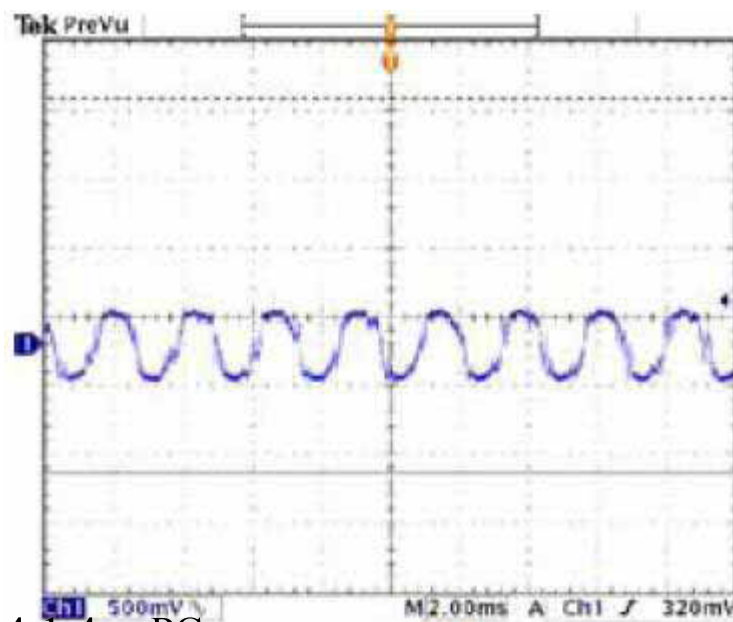
Color signal(input to U1 3) :L111\R179\C128

4. Description of Each Block



4-1-3 HDMI

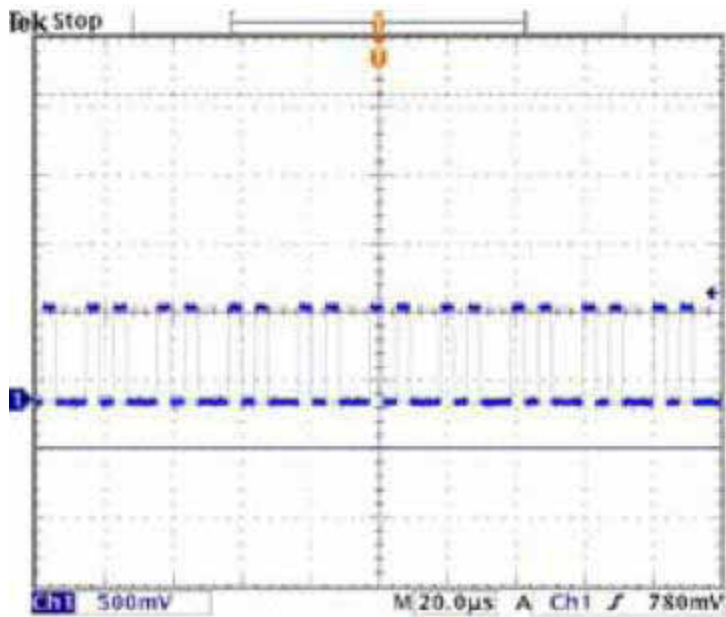
HDMI signal(input to U1 3), :R187\R188\R167\R170\R168\R169\R183\184



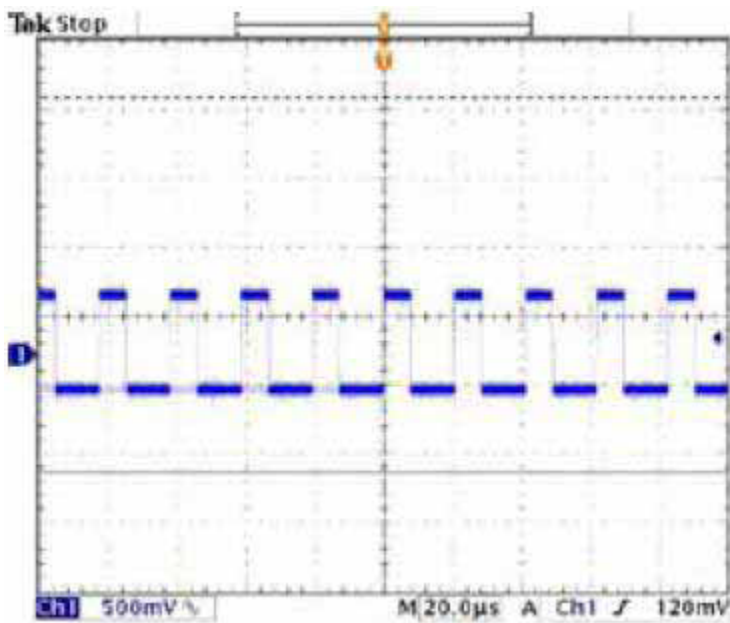
4-1-4 PC

R signal(input to U1 3) :C121

4. Description of Each Block

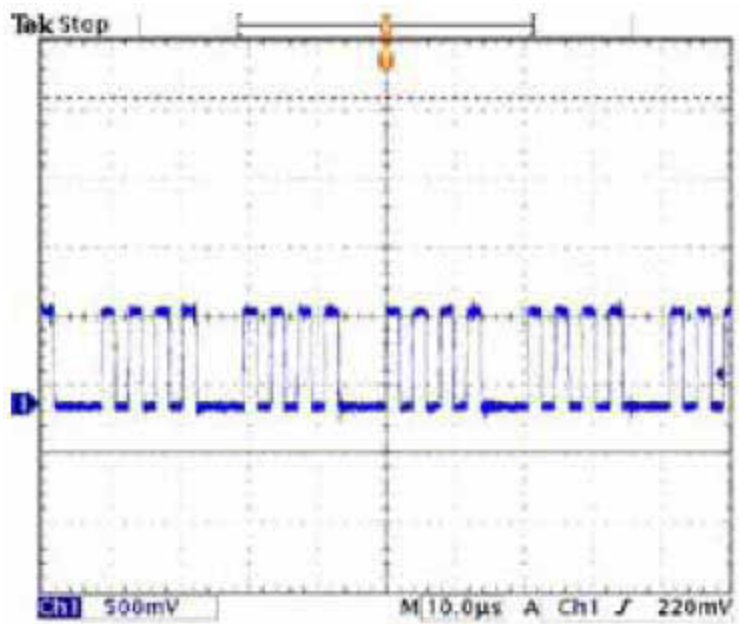


G signal(input to U13), :C 127

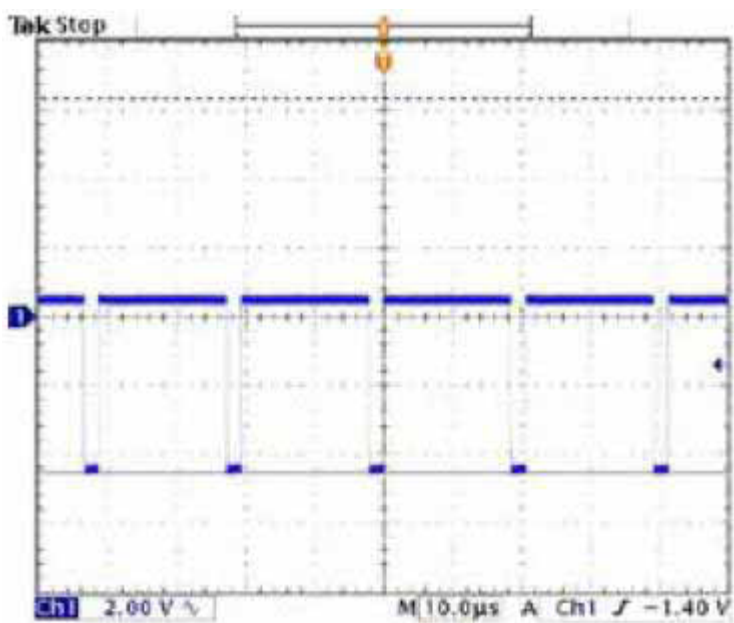


B signal(input to UB) :C 139

4. Description of Each Block

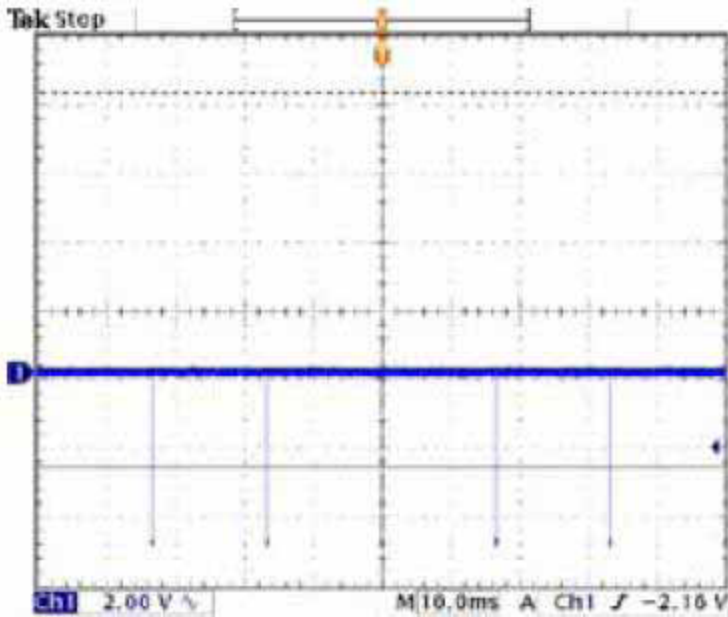


Horizontal sync(input to U13), :R 141



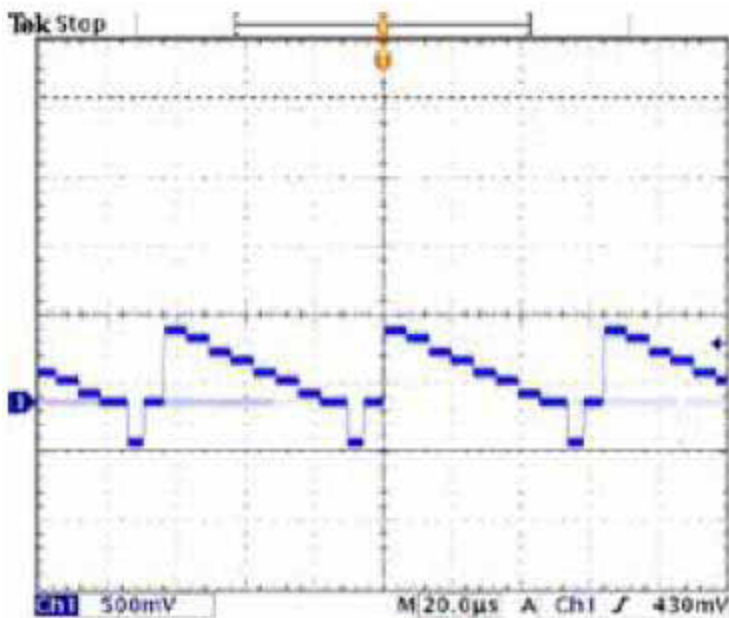
Vertical sync(input to U13), :R 132

4.Description of Each Block



4-1-5 CN16_YPbPr

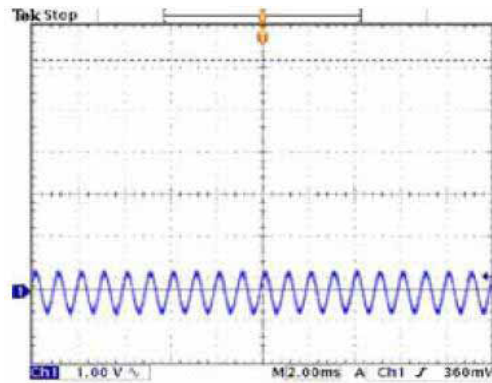
Y signal(input to U13) : Pin2 of U22



Pb signal(input to U13) : Pin5 of U22

4. Description of Each Block

4-1-6. Sound Output Speaker Output



4-2. Power PCB

4-2-1.

1. Input Characteristics: 输入特性		
ITEM 项目	CONDITION 条件及要求	SPECIFICATION 规格
1.1 Rated Input Voltage 额定输入电压		100V / 240V
1.2 Input Voltage Range 输入电压范围		90VAC to 264VAC
1.3 Input Frequency Range 输入频率范围		47Hz to 63Hz (± 1 Hz)
1.4 Input Current 输入电流	100Vac, 240Vac / 5A load	≤ 1.5 A
1.5 Input Voltage Harmonic distortion 输入电压谐波		$\leq 8\%$
1.6 Efficiency: (Warm up 10minutes later) 效率 (预热 10 分钟)	100Vac / 5A 240Vac / 5A	$\geq 80\%$ $\geq 82\%$
1.7 Power Saving 空载功耗	100Vac, 240Vac /0A load	< 1 W

4.Description of Each Block

4-2-2.

2. Output Characteristics: 输出特性		※Measured at the end of DC cable.
ITEM 项目	CONDITION 条件及要求	SPECIFICATION 规格
2.1 Output Rated Voltage 额定输出电压		12V
2.2 Output Current 输出电流	at constant voltage mode 持续输出	0A to 5A
2.3 Output Voltage Setting 输出电压范围	at the output end of DC cable 在输出的线的末端	11.4V ~ 12.6V
2.4 Output Voltage Ripple and Noise: (0.1uF Ceramic Cap. and 35V 47uF Aluminum Cap. Paralleled between the end of output cable) 纹波/噪声 (0.1uF 的瓷片电容和 35V47uF 的电解电容并接在输出的正负间)	90Vac / 5A 264Vac / 5A	≤ 150mVp-p
2.5 Turn-On Delay Time: 延时时间	At 100Vac / 60W load, output voltage shall remain regulation 输出电压上升时间, 在 100V 输入电压和 60W 输出, 从加电到稳定输出	≤2Sec.
2.6 Hold Up Time: 保持时间	At 100Vac or 240Vac / 60W load, output voltage shall remain regulation 在 110V 或 240V 输入电压及 60W 输出, 切断交流电源, 输出电压的保持时间	≥ 6mS
2.7 Rise Time: 上升时间	At 100Vac / 60W load, DC output rise time from 5% to 95% of Vo 在 100V 输入电压及 60W 输出时, 输出 电压由 5%Vo 上升到 95%Vo 的时间	≤ 50mS
2.8 Output Overshoot Voltage 过充电压或跌落电压	From 60W load to no load, the output Overshoot voltage 从 60W 输出到空载, 输出过充电压或跌 落电压	≤ 8% of Vo
2.9 Dynamic Load Change 动态负载	Output load step is 50% of full load, S/R=0.5A/us, frequency is 100Hz and 10kHz the output regulation will be 从 50%的额定负载到额定负载, 电流上 升/下降的速率是 0.5A/uS, 频率在 100-10000 赫兹的输出电压的调准率	12V±5%

4. Description of Each Block

4-2-3.

3. Protection Characteristics: 保护特性		
ITEM 项目	CONDITION 条件及要求	SPECIFICATION 规格
3.1 Short Circuit Protection: 短路保护	The adapter will enter into shut down that means no output while output impedance less than 1 ohm. It will enter into normal condition if the fault condition is removed. 当输出的负载电阻小于1欧姆时，适配器将关断，无输出。能自动恢复	Auto-Recovery. 自动恢复
3.2 Over-Current protection 过流保护	≤9A(100V,240V/50Hz)	Auto-Recovery. 自动恢复

4. Description of Each Block

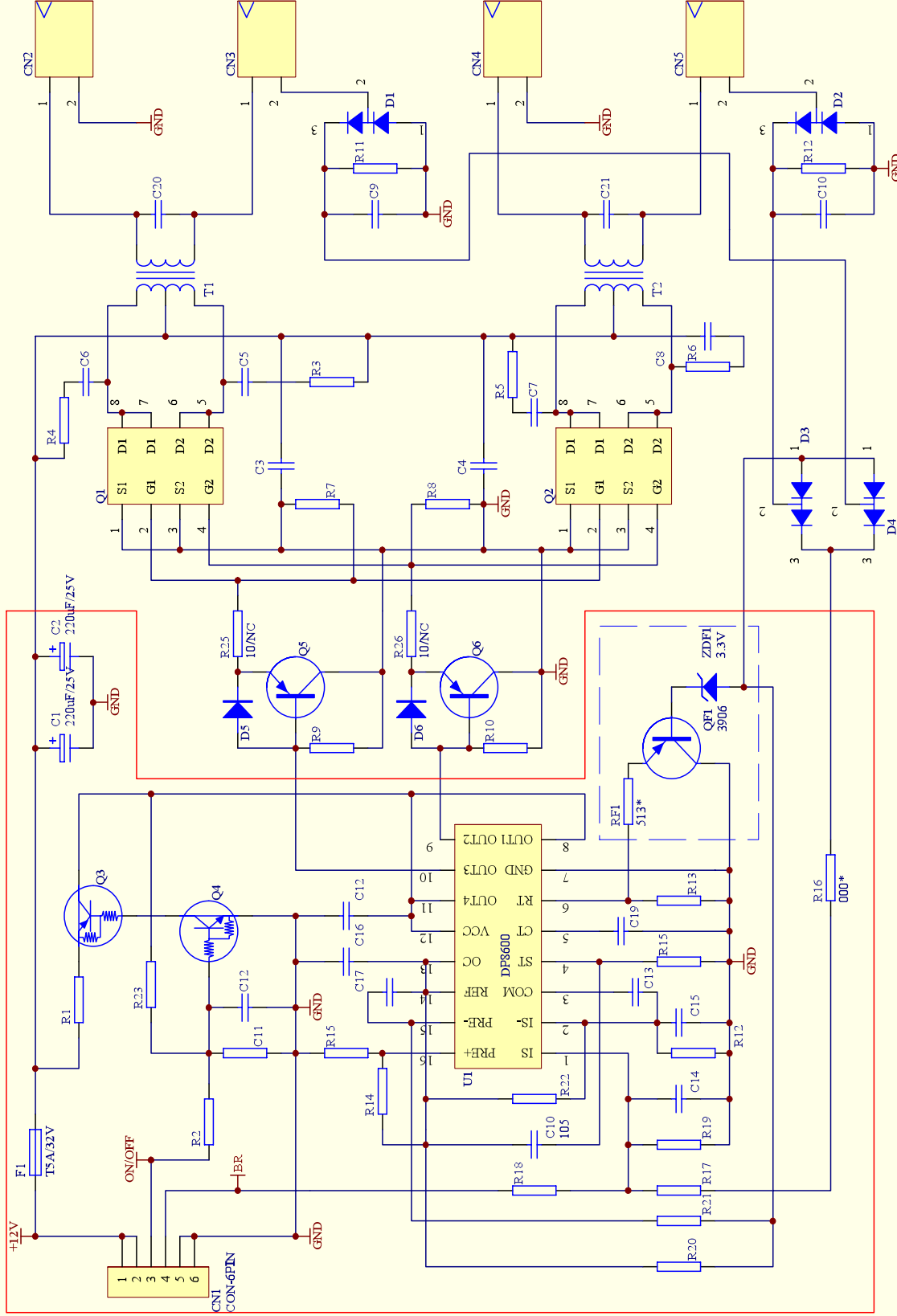
4-2-4.

4. Environmental Characteristics: 环境特性		
ITEM 项目	CONDITION 条件及要求	SPECIFICATION 规格
4.1 Cooling 冷却	Natural air cooling 常温	
4.2 EMI: Adapter comply with the following national standards:适配器通过下列标准 EMI Conducted Emission 传导 EMI Radiated Emission 辐射	100Vac/240Vac, 5A load. 100V/240V 交流输入, 5A 直流输出 The adapter internal filter to meet 适配器的滤波电感符合要求	FCC CLASS B EN55022 CLASS B
4.4 Safety conforming: 安规论证	CE, UL, c-UL, TUV-GS, FCC, CCC	Depends on customer's requirement. 符合客户要求
4.5 Leakage Current 泄漏电流	240Vac / 60Hz 100Vac / 60Hz	≤750uA ≤500uA
4.6 Insulation Resistance: 绝缘阻抗	Between AC input and secondary applied 500Vdc for 1 minute 在初次级间加 500V 直流电压 1 分钟, 测量初次级的阻抗	≥ 30MΩ
4.7 Dielectric Strength: (Hi-Pot) 绝缘强度	Between AC input and secondary AC 1.5KV, test time 1 minute, and cut off current shall be less than 10mA AC1.8kV, test time 1 sec. In production line 在初级与次级之间加 1500V 交流电压, 1 分钟, 其泄漏电流不超过 10mA	
4.8 Temperature: 温度	Operating 工作 Storage 储存	0 to 40°C -20 to +80°C
4.9 Humidity: 湿度	Operating 工作 Storage 储存	20% ~ 80% 10% ~ 90%
4.10 MTBF 平均无故障时间	The subject adapter have a minimum predicted MTBF (MIL-STD-217F) of 50000 hours of continuous operation at 25°C, maximum-output load, and nominal AC input voltage. 在 25°C, 额定负载输出, 100-240VAC 输入时, 平均无故障时间是 50000 小时	

4. Description of Each Block

4-2-5.

5. Mechanical Characteristics: 结构特性		
ITEM 项目	CONDITION 条件及要求	SPECIFICATION 规格
5.1 Dimension (Length x Width x Height) 尺寸规格 (长 X 宽 X 高)		110x61x31 mm
5.2 Input AC socket Type 交流输入插座		IEC320 C13 Type
5.3 Output DC Cable Length Wire style 直流输出线规格 (线长、线径、安规标准)		1500±50mm UL 1185 18AWG
5.4 Color 颜色 Case 外壳 DC Cable (including Molding Core) 直流输出线 (磁环)		Black 黑色 Black 黑色



Title

Size
A4

Number
A4

Date:
28-Sep-2008

File:
F:\uf\animation\data\power_zhang\power_design\power2.circuit.ddb

Revision

Sheet of

4

404 . 118 . RVS8

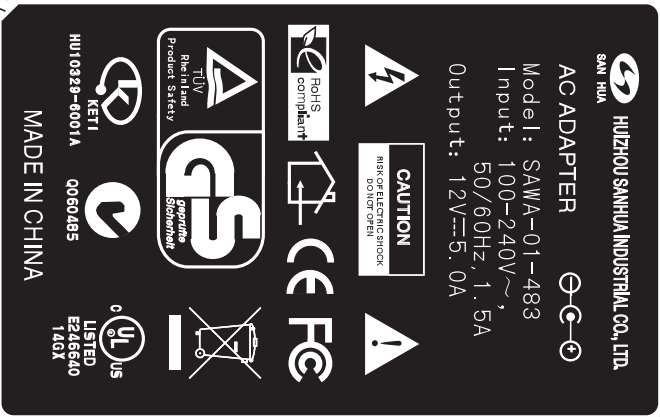
49.5 ± 0.2

3-R1.5

79.5 ± 0.2

技术要求

1. 纸质均匀，表面清洁。
2. 图像、字迹清晰。
3. 边缘裁切整齐。
4. 黑底白字。
5. 耐80℃高温2小时无明显变形。



C2

设计	数量	更改单号	签名	日期
审核				
工艺				
批准				

镀涂

产品贴纸
(SAWA-01-483-S3)

PC背胶

RVS8. 817. 404

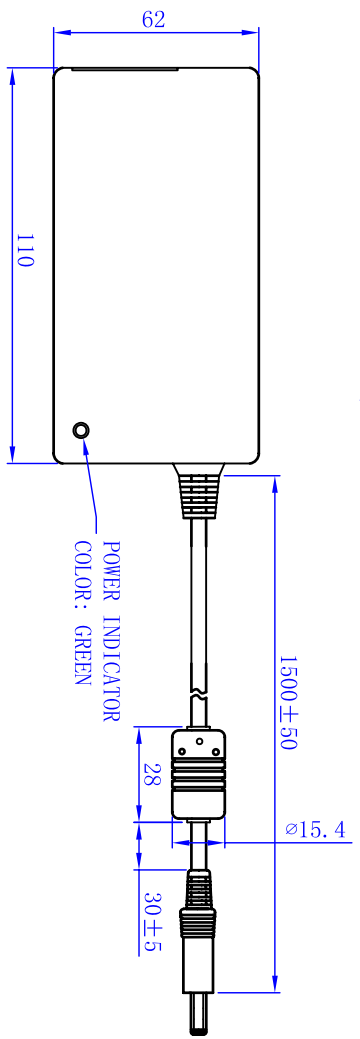
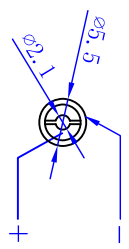
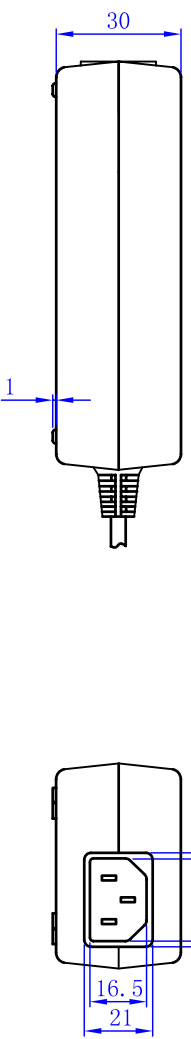
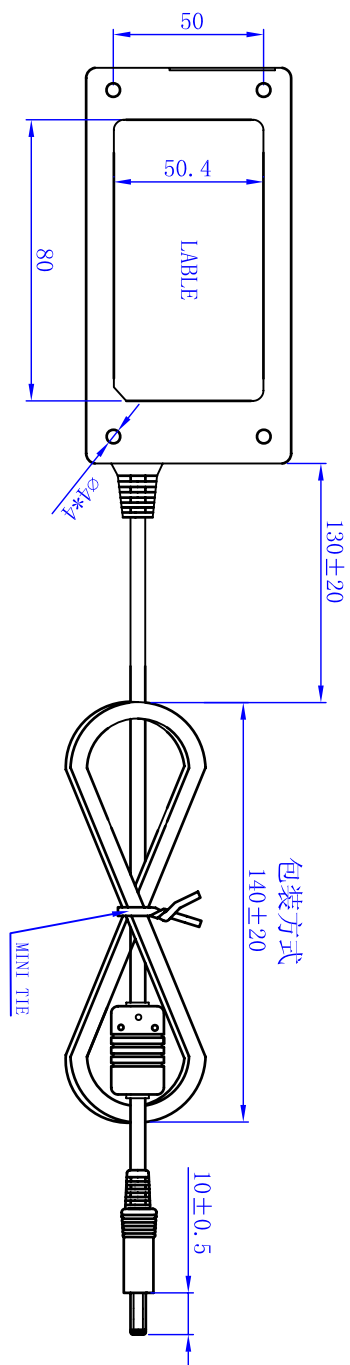
阶段标记	质量	比例
第 1 张	共 1 张	

惠州三华工业有限公司

制图:

描图:

幅面: A4



NOTE:

1. ALL DIMENSIONS ARE IN MM. TOLERANCES TO BE $\pm 1.0MM$
2. PARTS SPECIFIED AS FOLLOW

2-1. ENCLOSURE:

- (1) MEET V-0 FLAMMABILITY
- (2) COLOR: BLACK

2-2. AC INLET:

- (1) IEC320 CERTIFIED 3WAY.
- (2) COLOR: BLACK

2-3. DC OUTPUT

- (1) CABLE: 18AWG OD= 3.5mm COLOR:BLACK
- (2) DC OUTPUT--INSULATOR:BLACK.
- (3) POLARITY:SAME AS DRAWING

2-4. ADAPTER UNIT

- (1) COLOR:BLACK
- (2) DIMENSIONS MARKED . MARK MUST BE INSPECTED & CONTROLLED STRICTLY BY OQC

更改标准/数据	更改单号	签名	日期	SAWA-01-483 外形图	RVS2. 932. 264WX
设计					
审核					
工艺					
标准化				第	张
批准				共	张
				惠州三华工业有限公司	

制图 描述 幅面

5. Main PCB Trouble Diagnosis

1. Power Supply Trouble

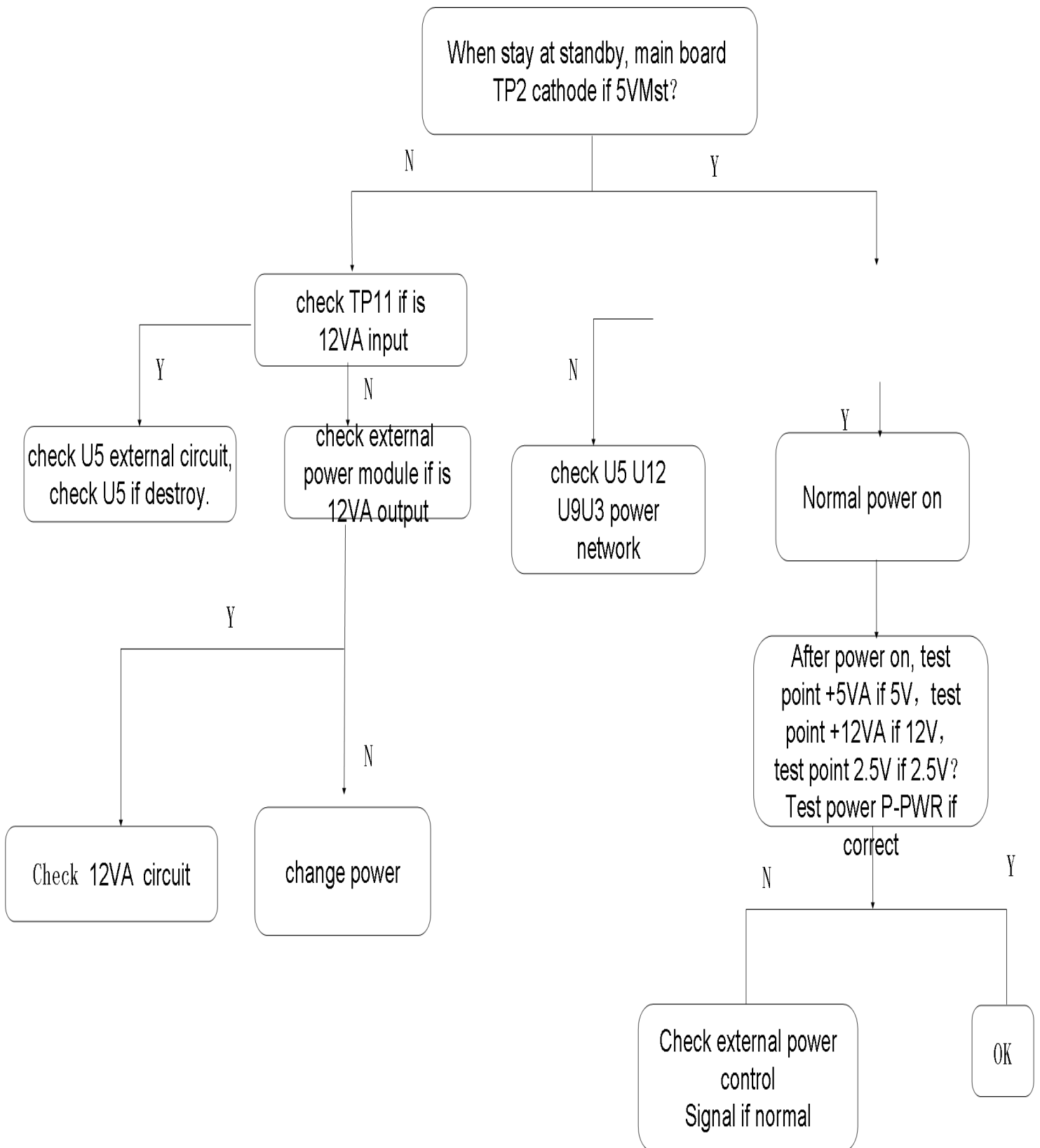
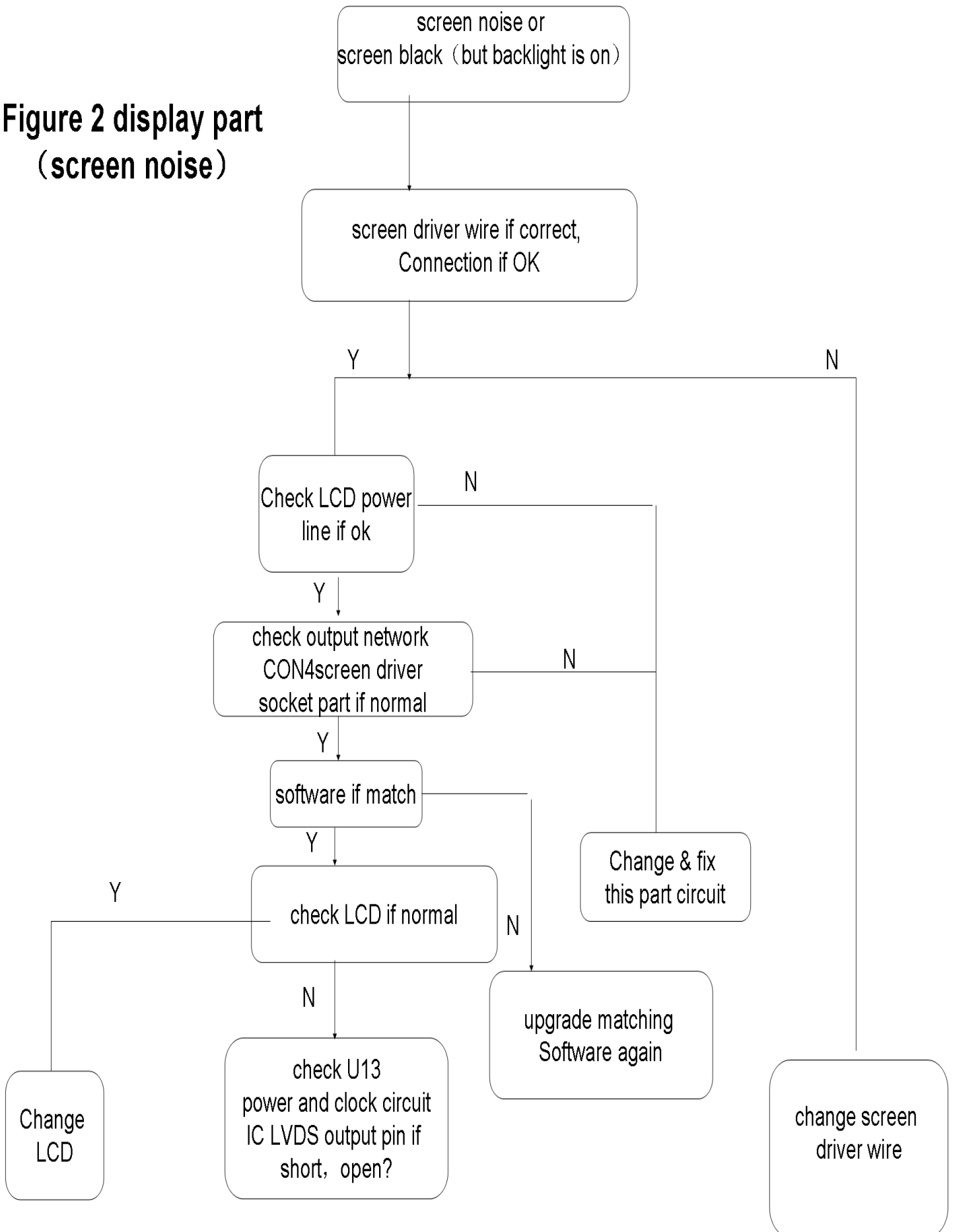


Figure 1 Power category troubleshooting

5. Main PCB Trouble Diagnosis

Figure 2 display part
(screen noise)

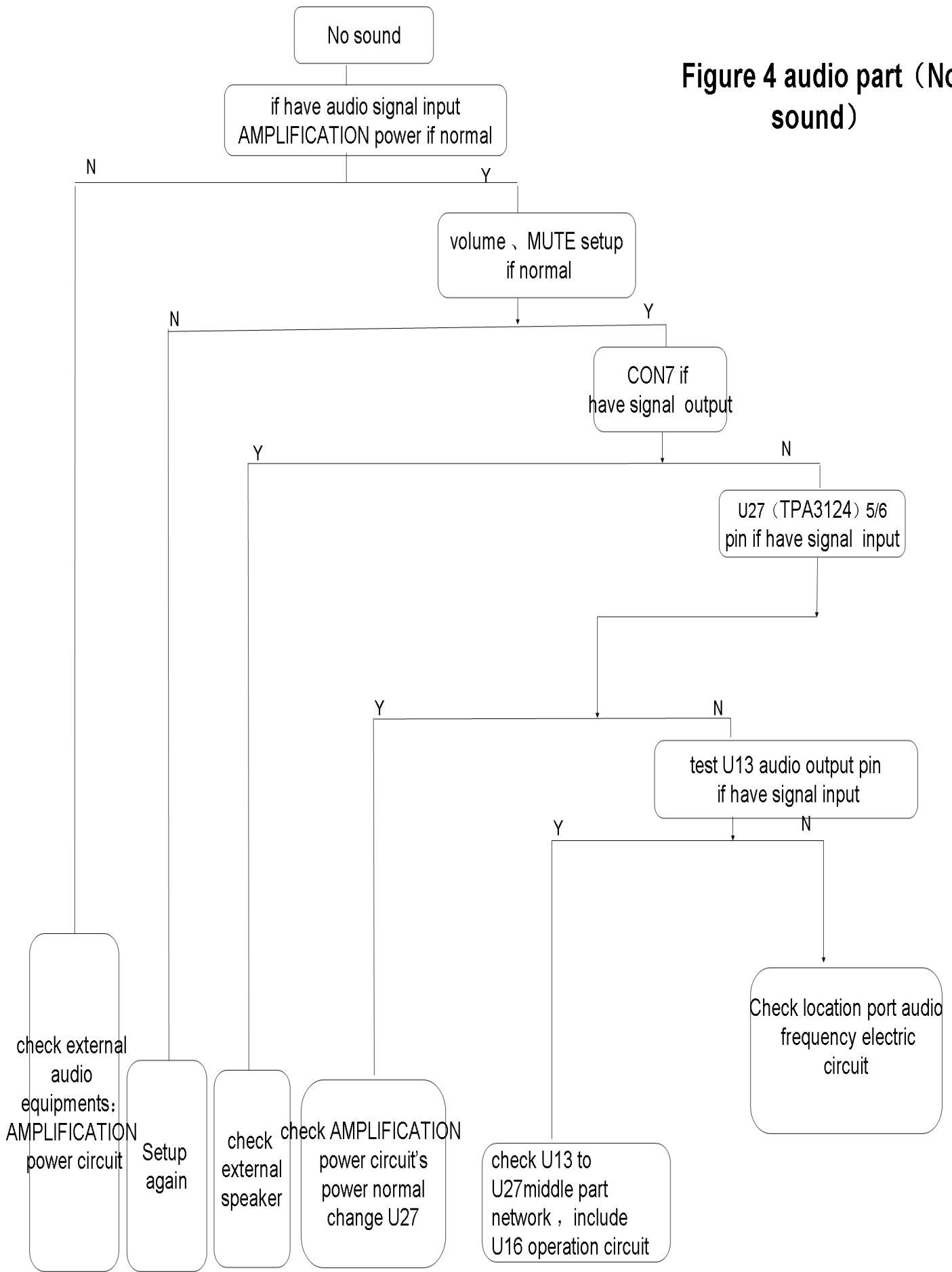


5. Main PCB Trouble Diagnosis



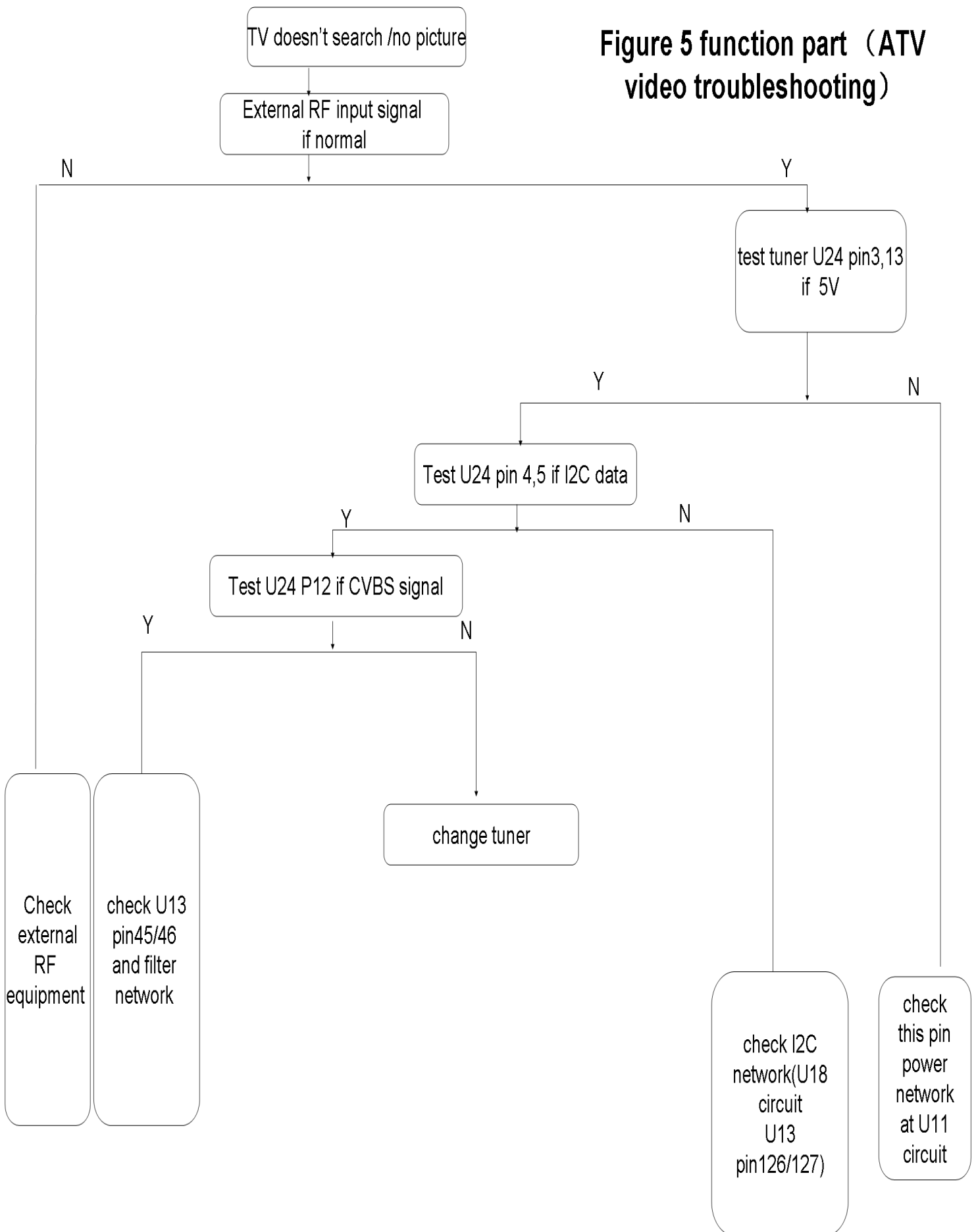
**Figure 3 display part
(screen black)**

5. Main PCB Trouble Diagnosis

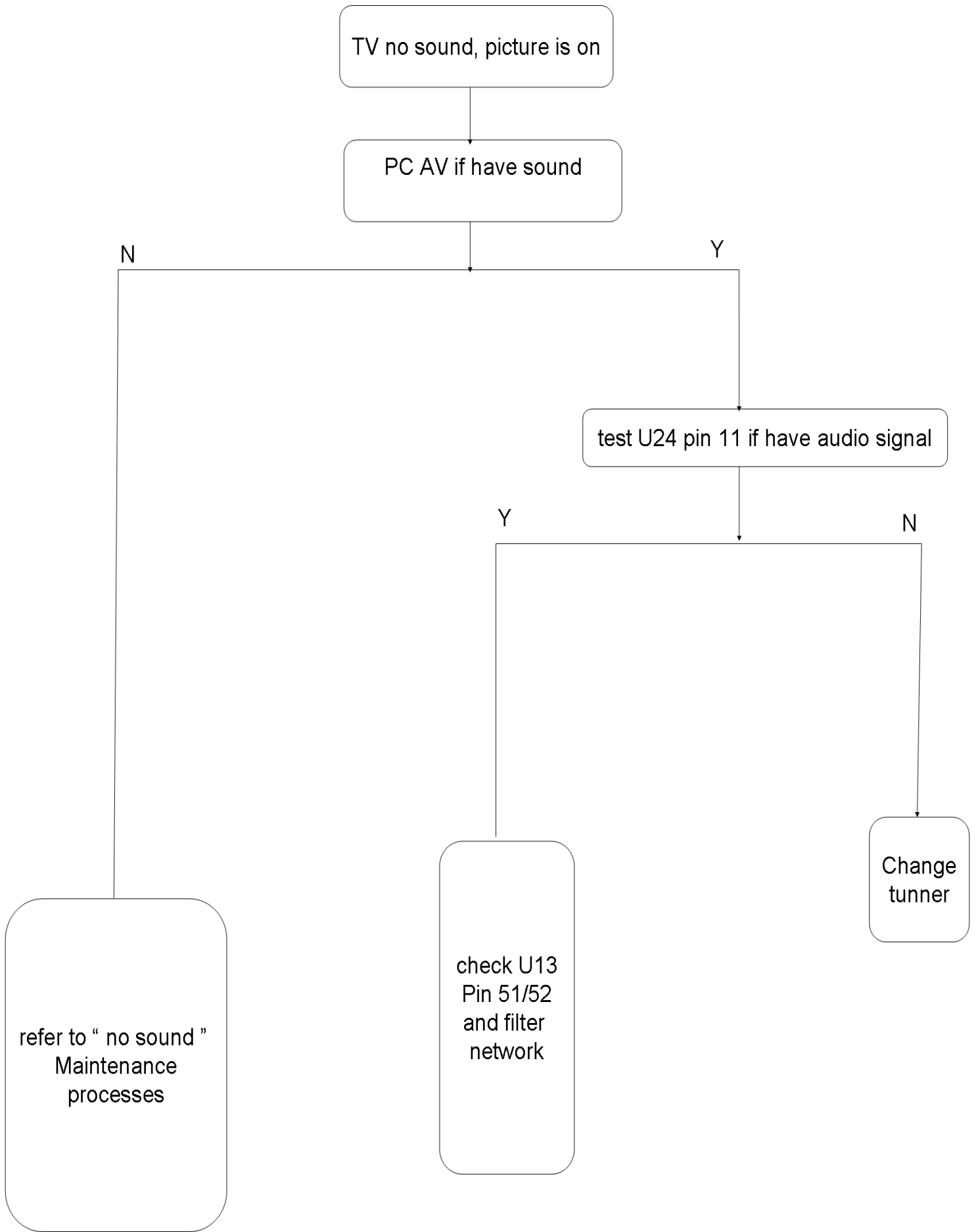


5. Main PCB Trouble Diagnosis

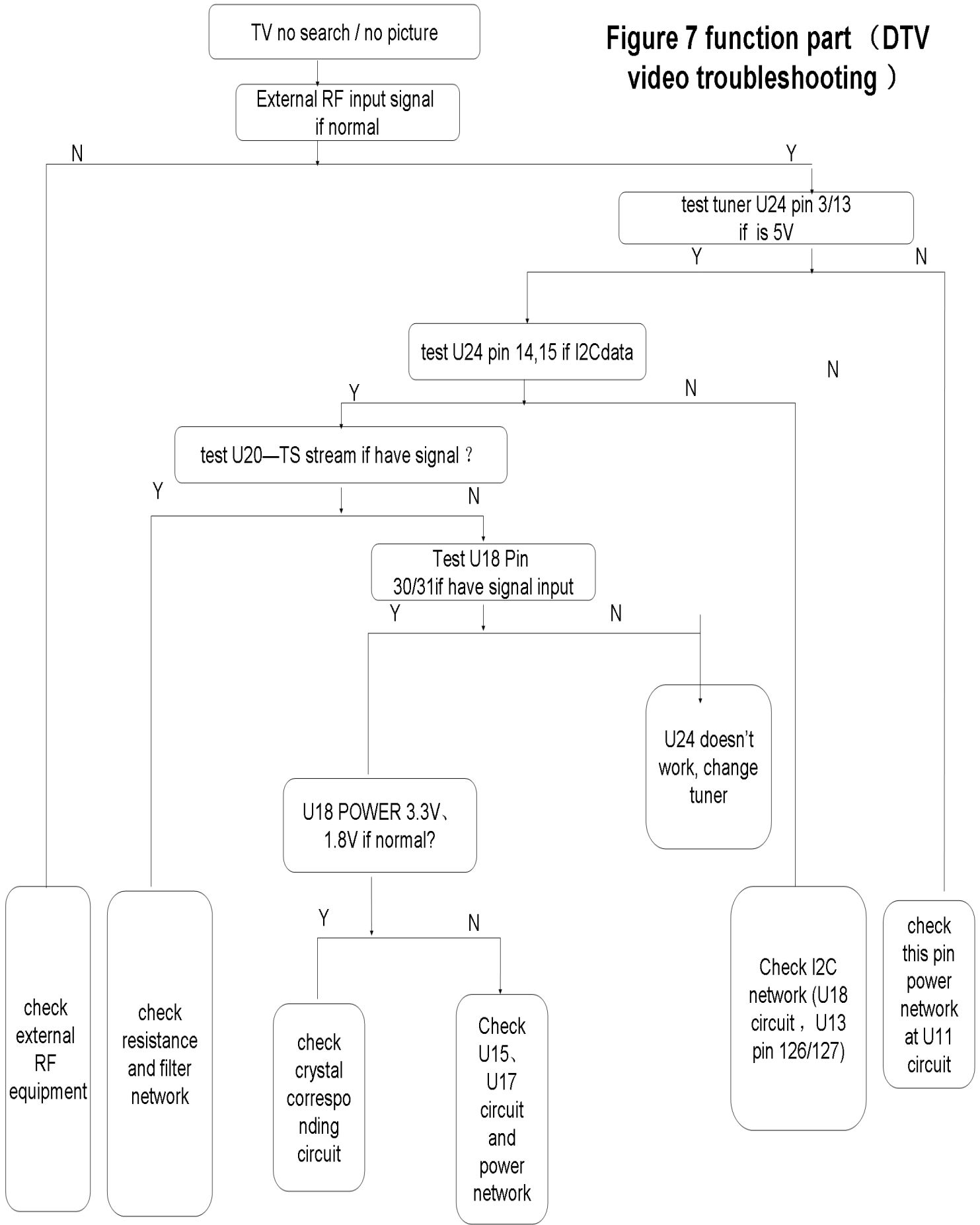
Figure 5 function part (ATV video troubleshooting)



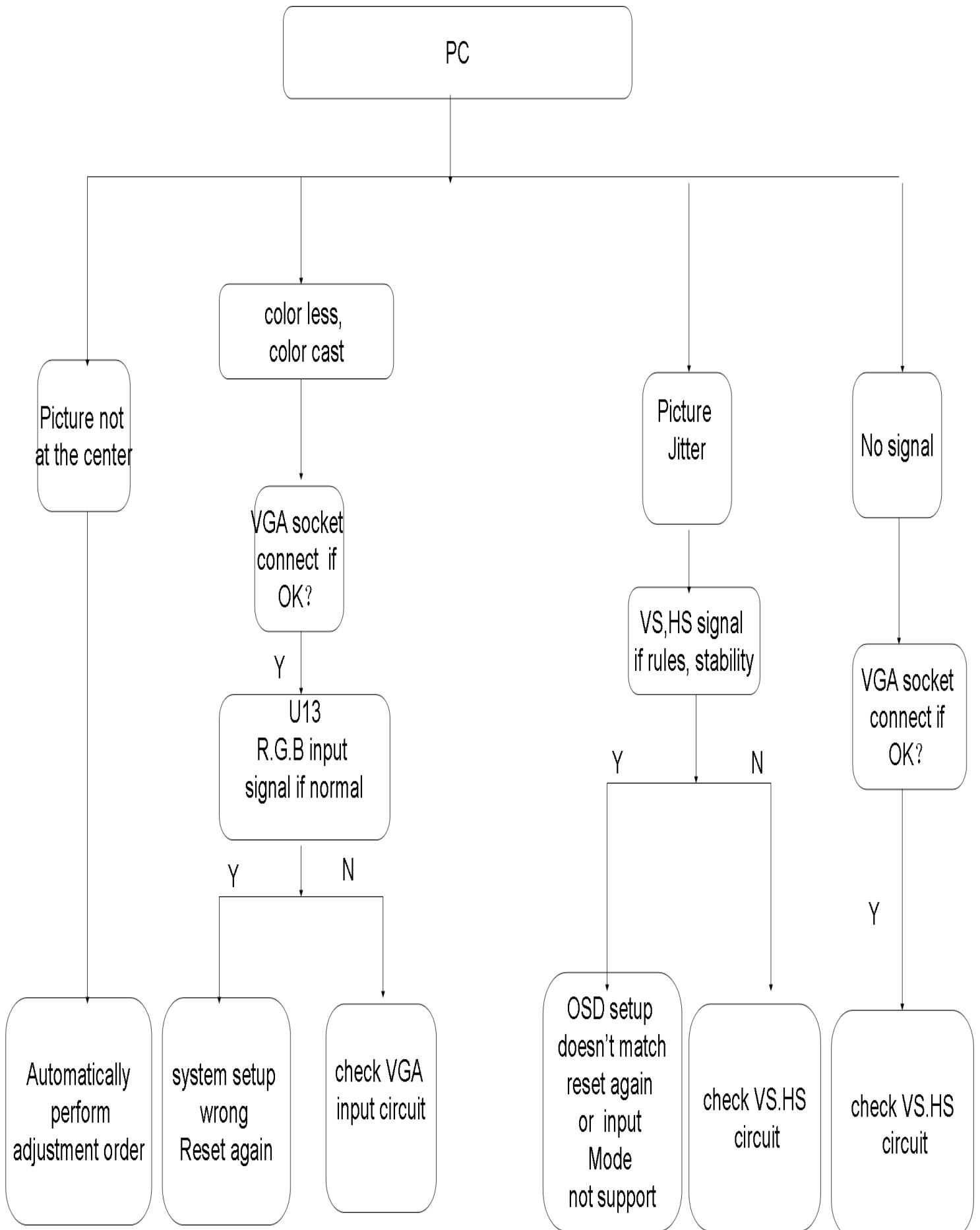
5. Main PCB Trouble Diagnosis



5. Main PCB Trouble Diagnosis

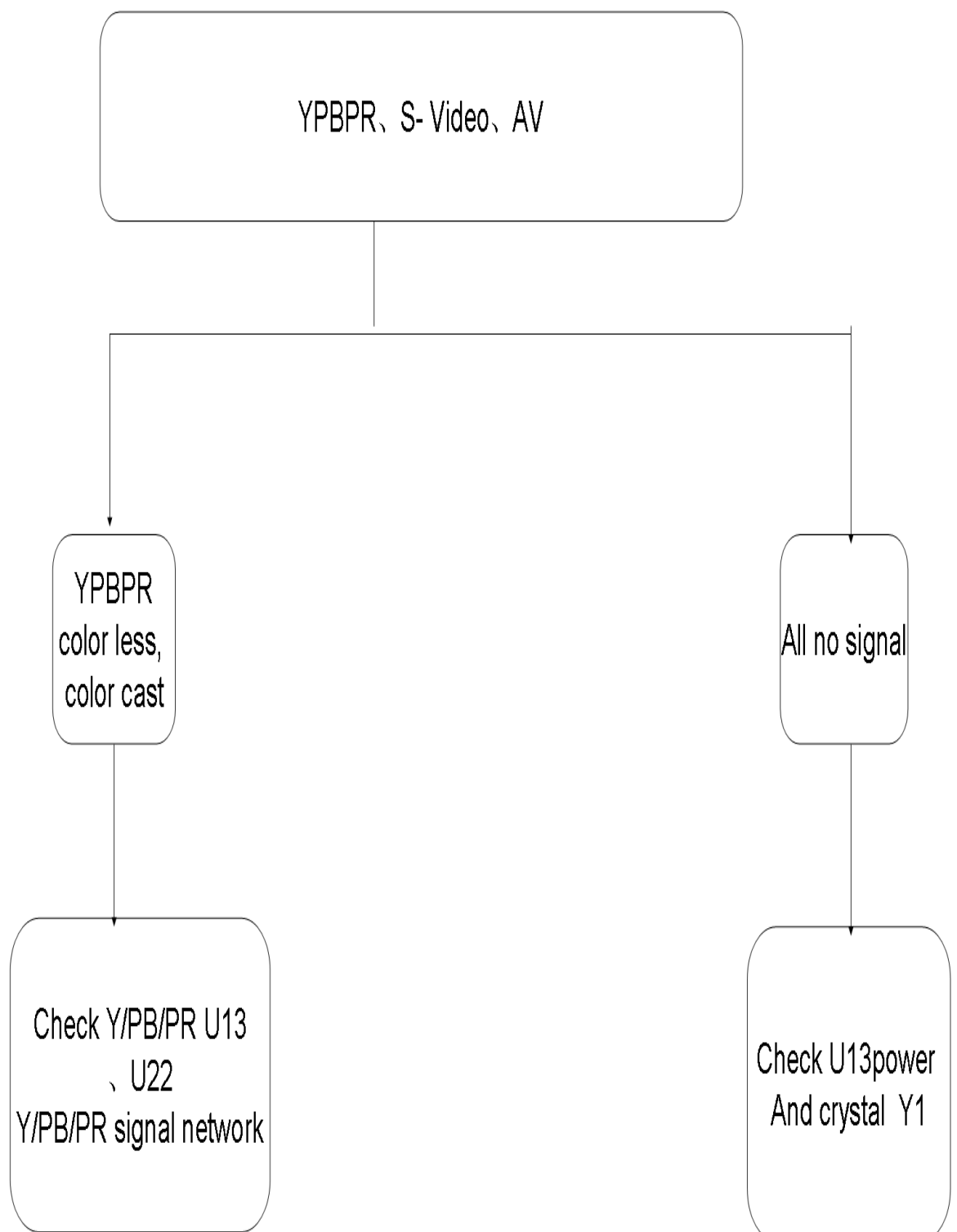


5. Main PCB Trouble Diagnosis



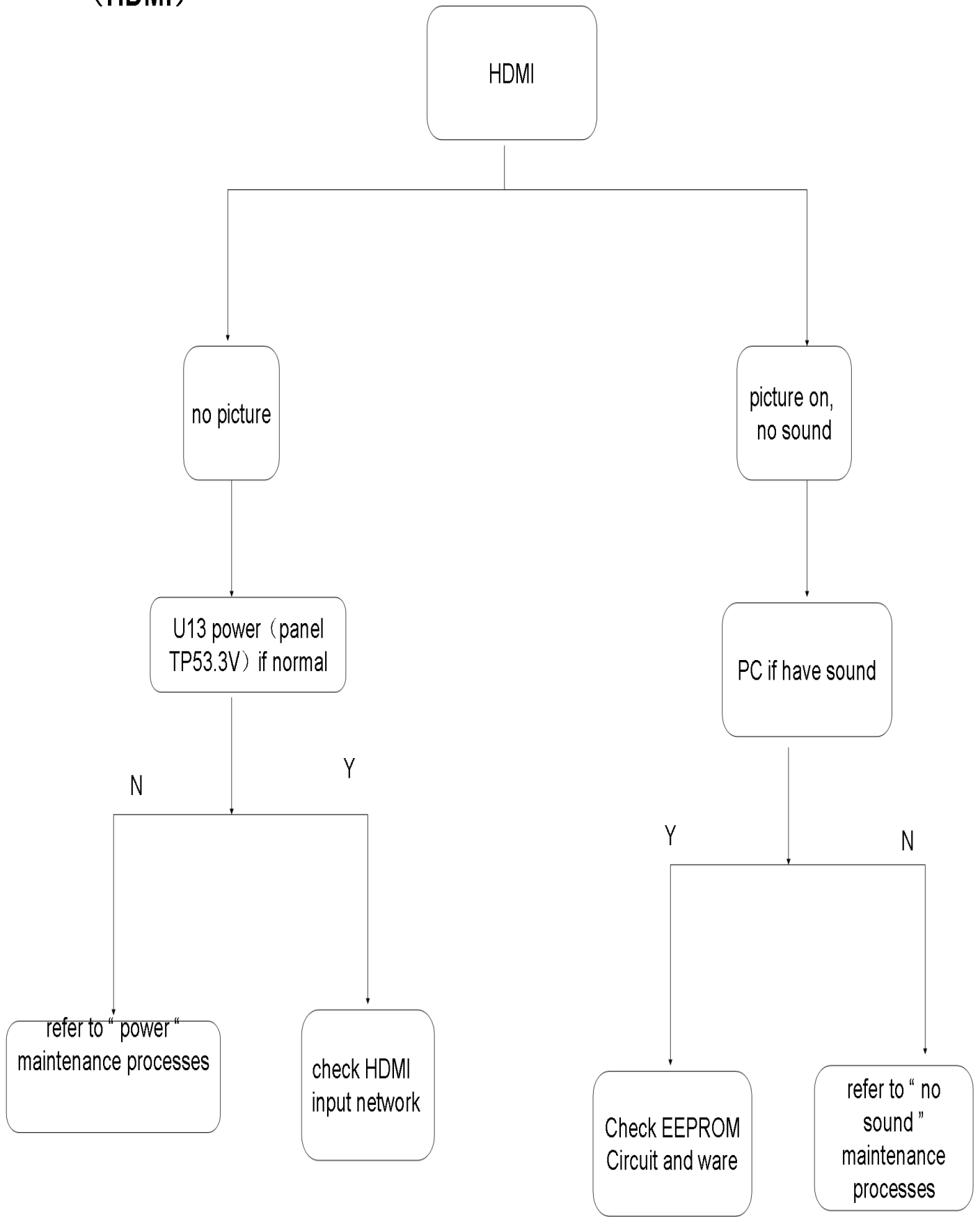
5. Main PCB Trouble Diagnosis

Figure 9 function part
(YPBPR, AV, S-V)



5. Main PCB Trouble Diagnosis

Figure 10 function part
(HDMI)



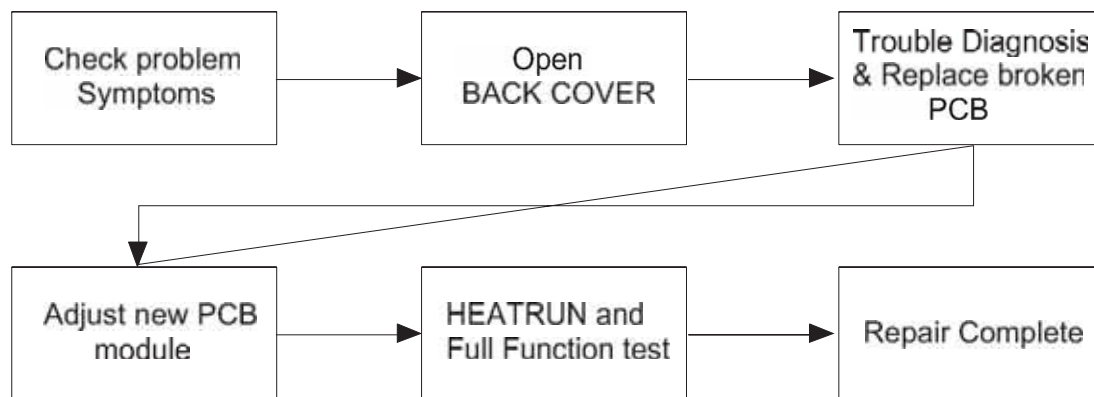
6. Trouble Diagnosis

6-1. Facts you must know when trouble Diagnosing or Repairing.

A. Trouble diagnosing and repairing of set mean find out which PCBs or blocks are not working and replace them with new PCBs. Repairing the broken PCBs are not necessary. Keep the broken PCBs and return to service center or R&D center.

B. This TROUBLE DIAGNOSIS list only contains representative and simple PCB trouble diagnosis or to repair, contact R&D center.

C. Basic TROUBLE DIAGNOSIS process.



Note: HEATRAN is conducted for at least 30 minutes with input TEST PATTERN FULL WHITE.

D. Required equipments for trouble diagnosis

-Digital Multimeter

User Mode : measure DC VOLTAGE, DIODE VOLTAGE, SHORT/OPEN TEST

-Screwdriver or electric screwdriver, plastic adjusting tool

-Oscilloscope(for detailed examination only)

E. Each BLOCK operations explained in this manual include oscilloscope waveforms, but these are for reference only and utilizing them to repair PCBs is not necessary.

F. Before replacing PCBs, you MUST turn off the AC switch.

G. After the set is repaired, leave BACK COVER open for followings. Run HEATRAN for at least 30 minutes by displaying TEST PATTERN(Full White) of SERVICE MODE(Refer to Service Manual, 5, Service Mode). Check the screen conditions and basic functions.(Remote Controller operation etc.)

H. After BACK COVER is closed, redo HEATRAN for at least one hour with Full White input using TEST PATTERN of SERVICE MODE. Check the screen conditions and basic functions.

6. Trouble Diagnosis

6-2. Typical Symptoms of PCBs problem or bad connection

A. Symptom of No image when LED and Back Light are working.

-Define No image : LED and BACK LIGHT of panel are correctly working but any image does not display.

-Repairing method : This is typical symptom when LVDS cable incorrectly connects.

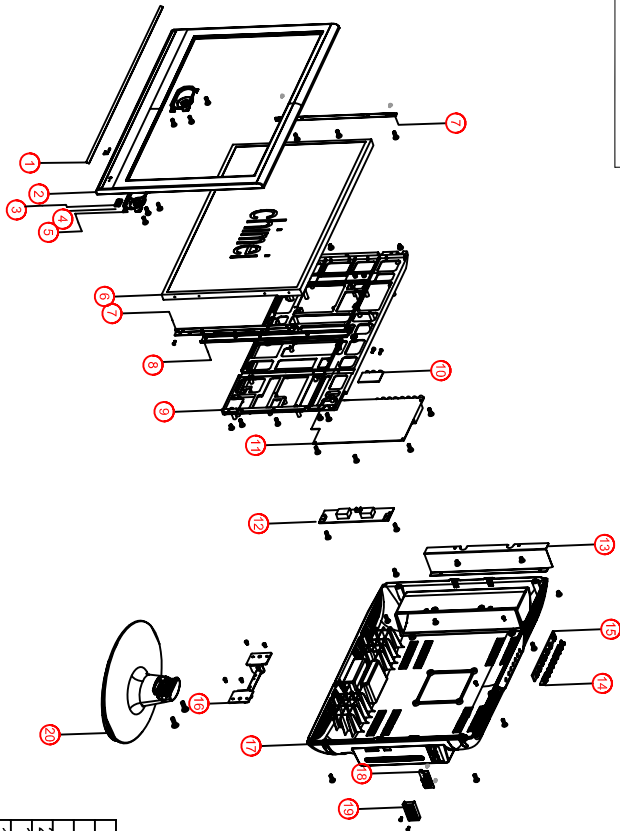
So if you find this symptom, check LVDS connection.

-As this method, TV set is not repaired, replace Main or Sub PCB.

B. Representative Symptom caused by bad Connections between PCBs

=>Note : Dust or extraneous material may cause bad connections. Most of the time, applying soft brush, AIR FRESHER, or breath to clean dust or extraneous materials can solve it. And then reassemble the Connector.

7. Exploded View

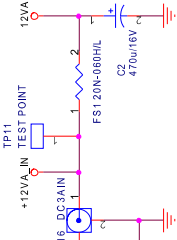


NO	PART CODE	PART NAME	QTY	MATERIAL	REMARKS
20	012010068	stand	1		
19	0100209501	DPY key button bracket	1	ABS_black	
18	0100603001	key button board component	1	TPPS_black-thermoform-stir	
17	012010072	rear cabinet	1	TPPS_black-thermoform-stir	
16	010060067	rotating axes	1	plating	
15	010200102	key button board component	1		
14	011521003	key button bracket	1	ABS_key button plating	
13	012060020	jack board	1	SECC_black static spray	
12	011500011	four light invert	1		
11	012070004	main PCB	1		
10	012060016	YPBPK board component	1		
9	010107020	bracket	1	HPS_black	
8	010201043	supporting bridge	1	SECC	
7	010201042	side stick	2		
6	010101008	panel	1		
5	010104002	speaker	2	ABS_silver black_black glass	
4	011301051	R_C board component	1		
3	010105005	transparent window	1	PANMA transparent window	
2	010101008	front cabinet	1	HPS_black	
1	010100012	ornament stick	1	ABS_silver black_black glass	

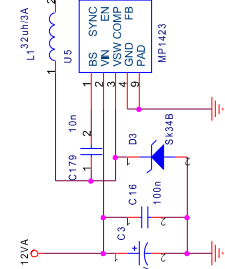
8Circuit Diagram

POWER INPUT

modified by HeLi
2007/09/28

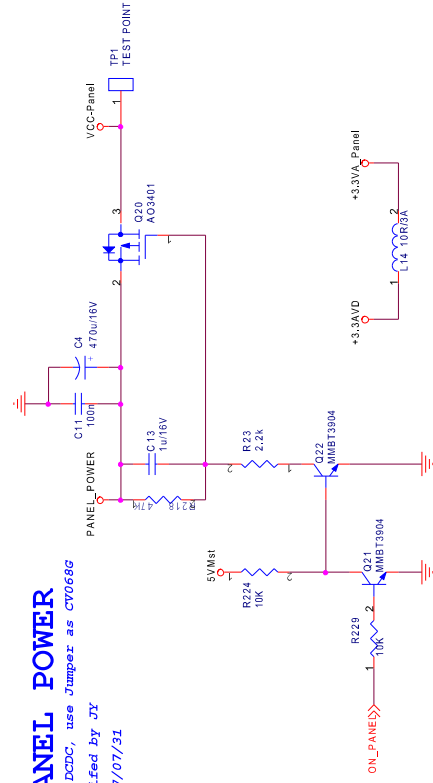


Main 5Vstb

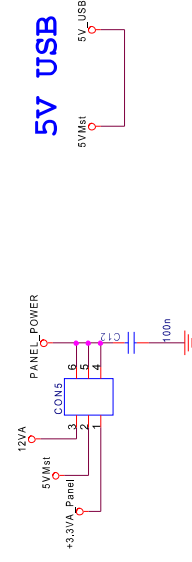


PANEL POWER

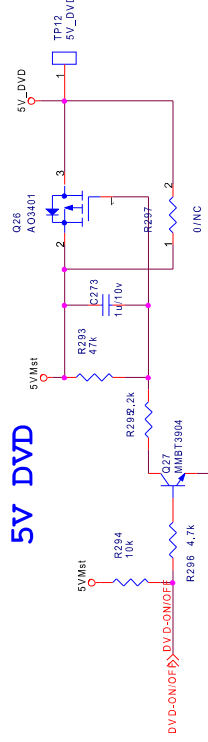
Del_DDC, use Jumper as CV068G
modified by JY
2007/07/31



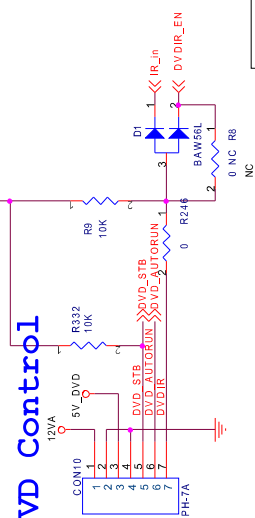
5V USB



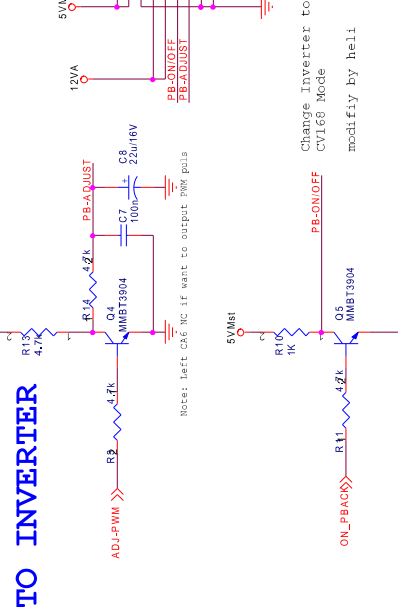
5V DVD



DVD Control



TO INVERTER



Note: Let GND NC if want to output PWM pins

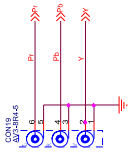
Change Inverter to CV168 Mode
modify by HeLi

PWR-ON/OFF	0
SYSTEM ON	SYSTEM OFF

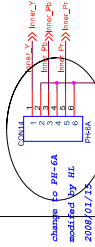
8Circuit Diagram

change to Coltraview input port 6A!
modified by CJ
2007/8/03

YPbPr INPUT



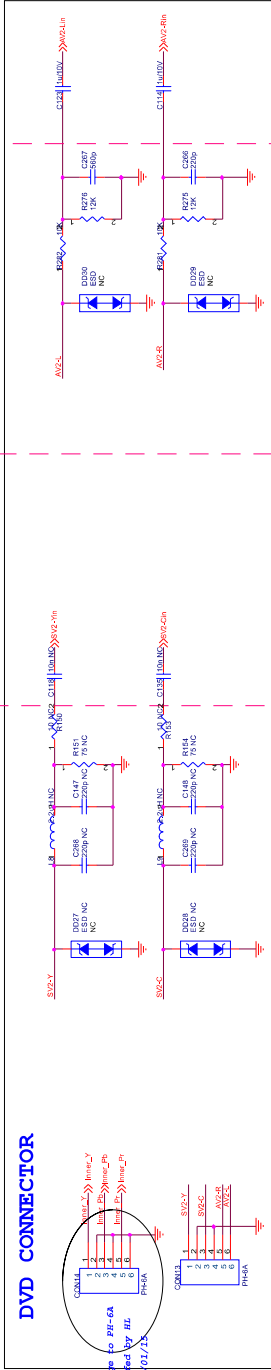
DVD CONNECTOR



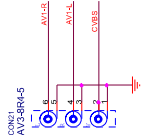
change to pin 6A!
modified by JL
2008/01/21

Keep trace width (12mil+)
C:10n Location near MST.IC
Keep AGND trace with signal

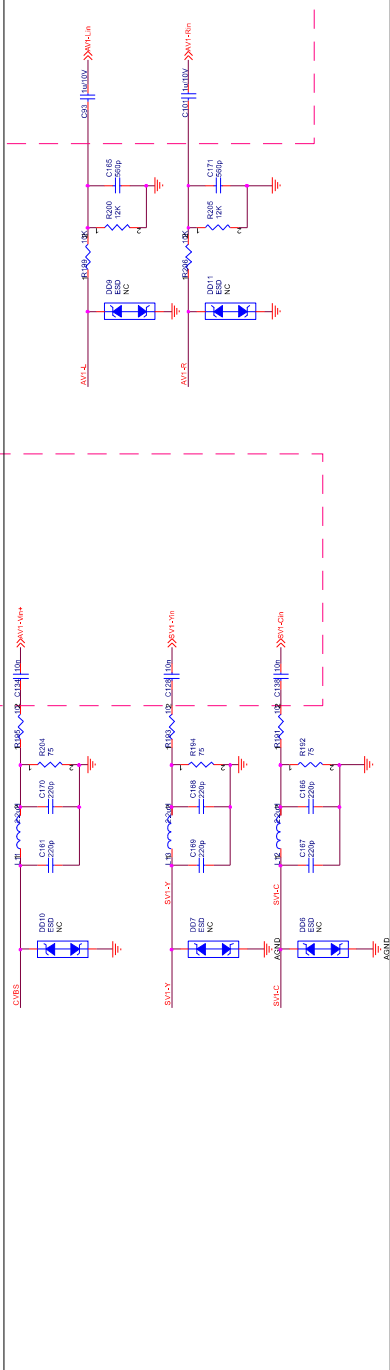
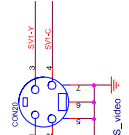
Keep AGND trace with signal
Keep spacing for I/R
Keep trace width (12mil+)
C Location near MST.IC



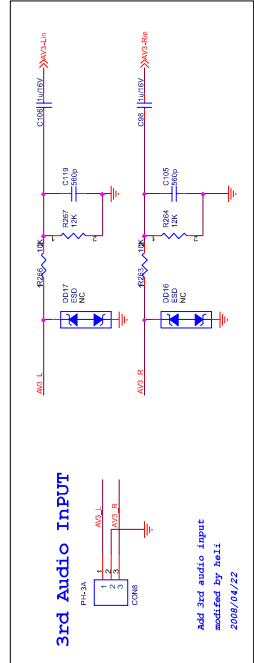
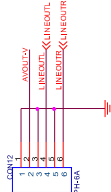
CVBS INPUT



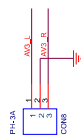
S_Video INPUT



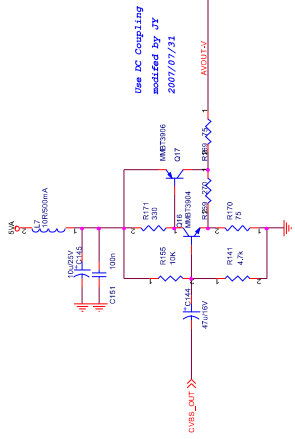
VIDEO_OUT



3rd Audio Input



Add 3rd audio input
modified by baif
2008/04/22

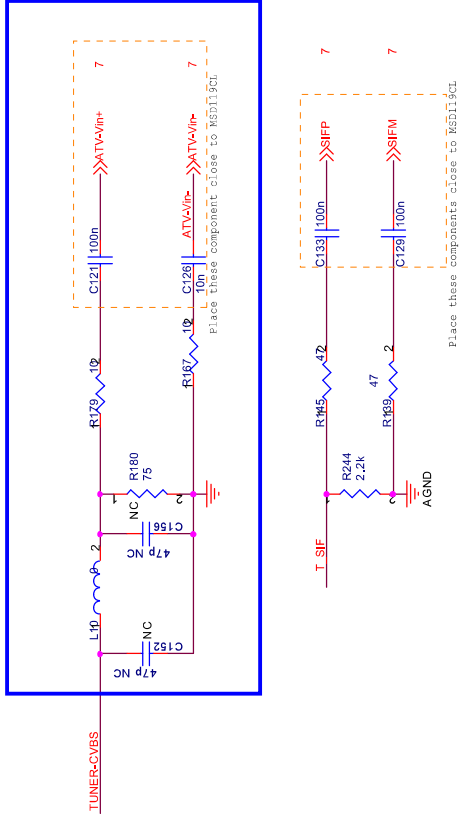


Use DC Coupling
modified by JT
2007/07/21

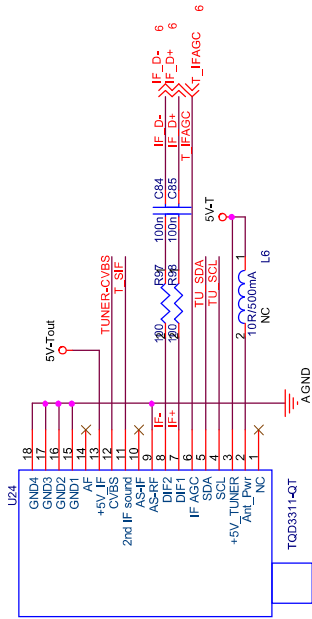
File	02_AIN	COMPILE	3000 Longsheng Road 881020 SHEN ZHEN
Rev	1	Document Number	CV1191A_V21
Rev	1	Rev	1
Date	2007-08-03	Date	2007-08-03

8 Circuit Diagram

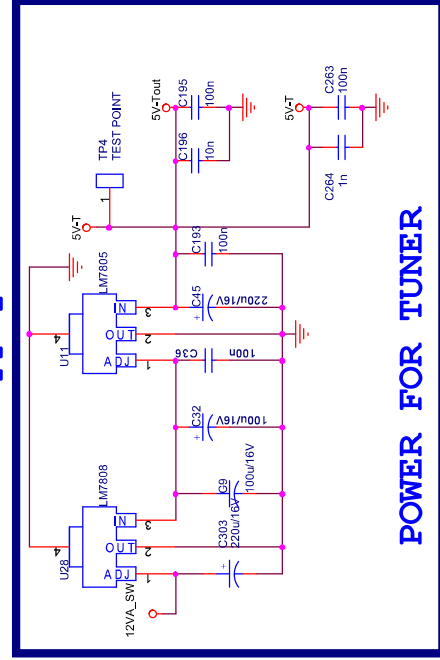
LOW PASS FILTER



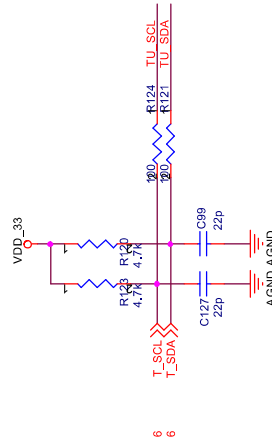
TDQ2311-QT Tuner



POWER Supply

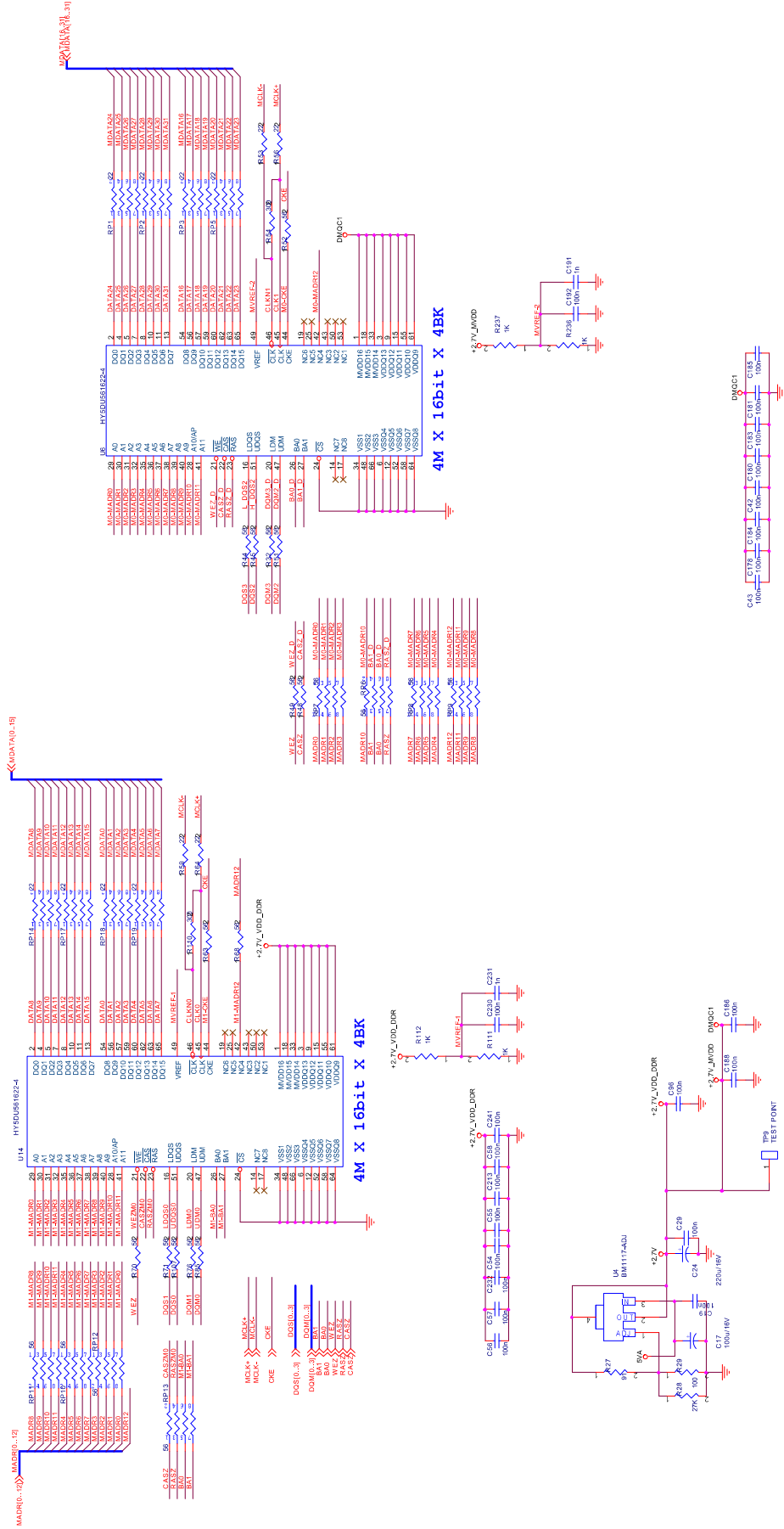


POWER FOR TUNER



Cultraview, Inc. CONFIDENTIAL		3000 LongDong Road Shanghai, China (86) 021-68791101
Title	05_TUNER	
Size	Document Number: CV1191A_V2.1	Rev
Date:	Friday, August 08, 2008	Sheet 5 of 10

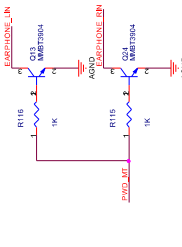
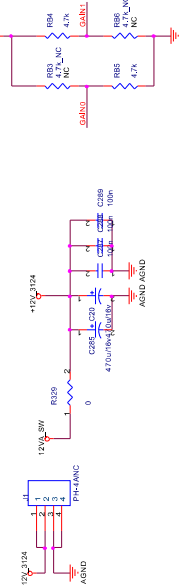
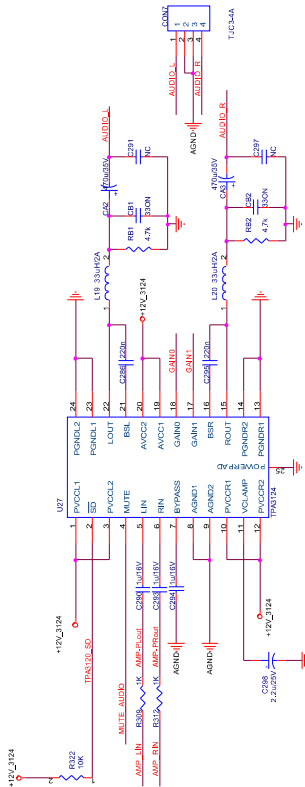
8Circuit Diagram



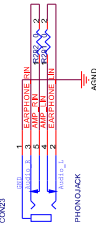
File	CONFIDENTIAL
Rev	3000 LongDong Road Shanghai, China (86) 21-28781101
Doc C	Document Number
Rev C	CV118A_V2.1
Date	Friday, August 08, 2008
Page	9 of 10
Rev	Rev

Company	Cultraview, Inc.
Product	09_SDRAM
Doc C	Document Number
Rev C	CV118A_V2.1
Date	Friday, August 08, 2008
Page	9 of 10
Rev	Rev

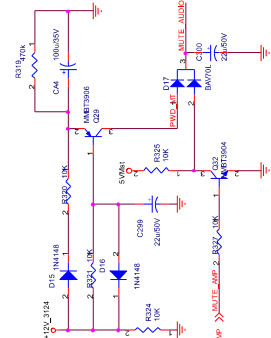
8Circuit Diagram



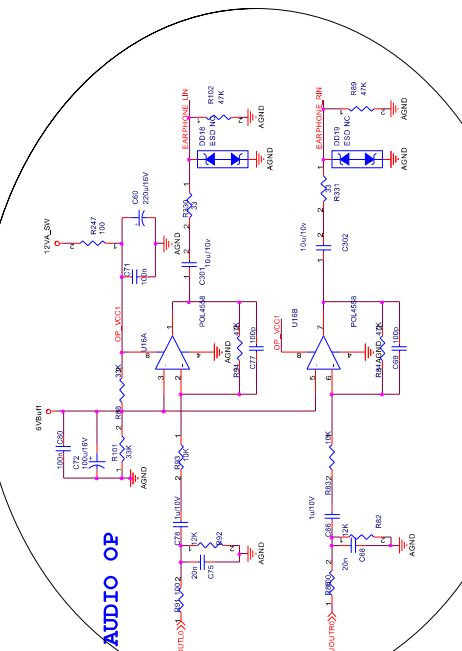
Earphone interface



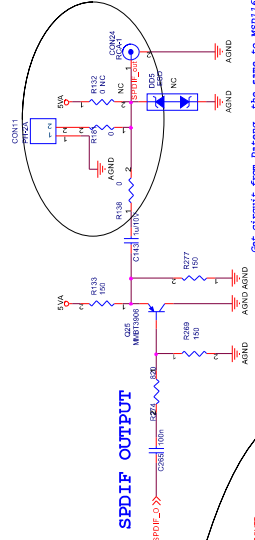
MUTE Control



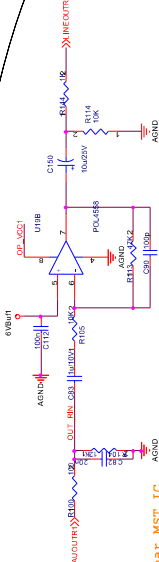
AUDIO OP



SPDIF OUTPUT



Do not connect from this assembly to any other assembly.
 Get Board from the Manufacturer for the same as 4852116
 If you are not the Manufacturer please make 4852116 NC or Make all assembly.
 modified by JL
 2009/01/07



Near MST-IC
 Ground in the middle of the L/R

AUDIO OUT OP

By	Confidential, Inc.	CONFIDENTIAL	Non-Confidential Board (06/05/16/17/11)
Rev	1.0	U_AUDIO	
Doc	Document Name	C:\110A_V01	
Date	Issue Date	August 08, 2008	Page: 01 of 03

9 Bom

产品编码	品名规格	装入编码	大类	子类	数量	单位	配料备注
0104100011	DVD按键组件 1952		结构部	部件	1	套	
0104090021	TV功能按键组件 1952		结构部	部件	1	套	
0104080024	后盖组件 1952		结构部	部件	1	套	
0104040002	扬声器组件 YDT-4070-02		结构部	部件	1	套	
0104030023	底座组件 1952		结构部	部件	1	套	
0104010030	前壳组件 1952		结构部	部件	1	套	
0102010189	USB支架 1952		结构部	塑料件	1	个	带USB、读卡器
0101090004	装饰条 1952		结构部	塑料件	1	条	银色
0101080058	底座橡胶垫 1952		结构部	塑料件	4	个	
0101070026	托架 1952 (带DVD)		结构部	塑料件	1	个	MST119澳规+05机芯+DM5B
0101060088	DVD按键支架 1952		结构部	塑料件	1	个	黑色
0101060087	TV功能按键支架 1952		结构部	塑料件	1	个	电镀
0101050065	导光窗 1952/2252		结构部	塑料件	1	个	透明
0101040127	底座面板 1952		结构部	塑料件	1	个	黑色01
0101020080	后盖 1952 (带DVD)		结构部	塑料件	1	个	黑色、带壁挂铁板。
0101010070	前壳 1952		结构部	塑料件	1	个	黑色01、有特殊丝印
0102080003	十字带平垫自攻螺钉 1952		结构部	钣金件	2	个	
0102070024	转轴连接片 1952		结构部	钣金件	1	个	
0102030086	端子挡板 1952(DTP)		结构部	钣金件	1	个	MST119澳规方案、带YPBPR和读卡器
0102020064	转轴组件 1952		结构部	钣金件	1	个	
0103030004	自攻自锁螺钉 6560/M3*6 黑		结构部	螺钉	2	颗	固定读卡器支架

9 Bom

产品编码	品名规格	装入编码	大类	子类	数量	单位	配料备注
0103030004	自攻自锁螺钉 6560/M3*6 黑		结构部	螺钉	2	颗	后盖与端子挡板
0103020064	十字球面自攻螺钉 B3*10F 黑		结构部	螺钉	8	颗	扬声器
0103020064	十字球面自攻螺钉 B3*10F 黑		结构部	螺钉	4	颗	解码板
0103020064	十字球面自攻螺钉 B3*10F 黑		结构部	螺钉	4	颗	DVD机芯
0103020064	十字球面自攻螺钉 B3*10F 黑		结构部	螺钉	4	颗	主板
0103020064	十字球面自攻螺钉 B3*10F 黑		结构部	螺钉	2	颗	遥控板
0103020064	十字球面自攻螺钉 B3*10F 黑		结构部	螺钉	4	颗	转轴连结板
0103020064	十字球面自攻螺钉 B3*10F 黑		结构部	螺钉	8	颗	托架
0103020064	十字球面自攻螺钉 B3*10F 黑		结构部	螺钉	4	颗	转轴组件
0103020064	十字球面自攻螺钉 B3*10F 黑		结构部	螺钉	12	颗	后盖
0103020063	十字球面自攻螺钉 B3*8F		结构部	螺钉	2	颗	DVD按键板
0103020063	十字球面自攻螺钉 B3*8F		结构部	螺钉	2	颗	端子挡板
0103020023	十字沉头自攻螺钉 2822/3*8F		结构部	螺钉	2	颗	DVD按键支架
0103020010	十字盘头自攻螺钉 2821/3*8F		结构部	螺钉	2	颗	固定YPBPR小板
0103010068	十字盘头带弹垫带平垫组合螺		结构部	螺钉	2	颗	底座固定
0103010058	十字球面柱头螺钉 MB4*8		结构部	螺钉	4	颗	壁挂固定
0103010042	十字球面柱头螺钉 MB3*6		结构部	螺钉	4	颗	液晶屏
0103010041	十字球面柱头螺钉 MB3*5		结构部	螺钉	3	颗	固定读卡器小板
0120020018	序列号		结构部	其他	2	张	
0120020013	信息反馈条		结构部	其他	1	张	
0120020008	后铭牌		结构部	其他	1	张	

9 Bom

产品编码	品名规格	装入编码	大类	子类	数量	单位	配料备注
0120020004	DVD按键标贴		结构部	其他	1	张	
0120020001	端子标贴		结构部	其他	1	条	MST119澳规,带S-VIDEO和HDMI,带
0120010008	质保卡		结构部	其他	1	张	
0120010001	说明书		结构部	其他	1	本	
0119060001	防静电清洁剂		结构部	其他	0.3	ml	
0119050001	提手 1049		结构部	其他	1	套	
0119040053	缓冲垫 1952 左右		结构部	其他	1	套	
0119030007	DVD防尘布		结构部	其他	1	块	
0119030005	美纹胶带		结构部	其他	6	mm	
0119030002	黑色醋酸布		结构部	其他	6	mm	
0119030001	无纺布		结构部	其他	6	M	
0119020024	附件袋		结构部	其他	1	只	要打孔和回收标志,并有红色警告字样
0119020004	整机袋 19" 19"-22"		结构部	其他	1	只	要打孔和回收标志,并有红色警告字样
0119010161	彩箱 1952		结构部	其他	1	只	
0103020064	十字球面自攻螺钉 B3*10F 黑		结构部	其他	2	颗	高压板
0114060168	DVD电源线 E027		电路部	连接线	1	根	
0114060111	DVD视频音频线 F051		电路部	连接线	1	根	
0114040015	扬声器线 C014		电路部	连接线	1	根	
0114030088	按键遥控线 B090		电路部	连接线	1	根	
0114030051	按键遥控线 B055		电路部	连接线	1	根	
0114020003	高压板线 A003		电路部	连接线	1	根	

9 Bom

产品编码	品名规格	装入编码	大类	子类	数量	单位	配料备注
0114010085	FFC线 12P*280MM 异面		电路部	连接线	1	根	
0114010080	屏数据线 19"带磁环 119方案		电路部	连接线	1	根	
0114010025	FFC线 24P*280MM 同面		电路部	连接线	1	根	
0112020032	DVD按键板 KYD020-1		电路部	小板组	1	块	
0112010216	按键板 KY081-1		电路部	小板组	1	块	
0112010051	遥控板 RMT051		电路部	小板组	1	块	
0111070008	五针弯插阳固定连接器 PH-		电路部	小板组	1	颗	
0111070005	四针直插阳固定连接器 PH-4A		电路部	小板组	1	颗	
0111070004	三针弯插阳固定连接器 PH-		电路部	小板组	1	颗	
0111070002	二针弯插阳固定连接器 PH-		电路部	小板组	1	颗	
0111060007	轻触开关 6*6*5		电路部	小板组	13	个	
0111030007	红外遥控接收头 GP1UX511QS		电路部	小板组	1	个	
0111030006	共阴双色发光二极管 Φ 3 红绿		电路部	小板组	1	个	
0111030002	插件二极管 IN4148		电路部	小板组	1	个	
0111030001	贴片二极管 IN4148		电路部	小板组	4	个	
0111020002	铝电解电容 CD110-16V-		电路部	小板组	1	个	
0111010034	贴片电阻 0805/3K		电路部	小板组	1	颗	
0111010032	贴片电阻 0805/680 Ω		电路部	小板组	2	颗	
0111010031	贴片电阻 0805/470 Ω		电路部	小板组	2	颗	
0111010030	贴片电阻 0805/1.2K Ω		电路部	小板组	2	颗	
0118030001	电池 5#/1.5V		电路部	其他	2	节	

9 Bom

产品编码	品名规格	装入编码	大类	子类	数量	单位	配料备注
0118020080	遥控器 BD-21 MST119		电路部	其他	1	个	
0118010008	电源适配器 12V/5A(SAWA-01-		电路部	其他	1	个	
0117010002	电源线 澳规		电路部	其他	1	根	
0115210003	DVD机芯 DL-05FS8-R 四脚		电路部	其他	1	只	
0115090017	19"液晶显示屏 SVA190WX02TB		电路部	其他	1	块	
0113080018	解码板组件 DM5B		电路部	其他	1	块	
0112070071	主板 CV119LA_V1.1		电路部	其他	1	块	
0112050026	四灯管高压板 DATA-04-		电路部	其他	1	块	
0111100002	扬声器 YDT4070-4Ω-3W(翻边)		电路部	其他	2	个	



DAEWOO ELECTRONICS CORP.

686, AHYEON-DONG, MAPO-GU,

SEOUL, KOREA

C.P.O. BOX 8003 SEOUL KOREA

PRINTED DATE : Jul. 2008