

SYSCLK Multiplier Combinations

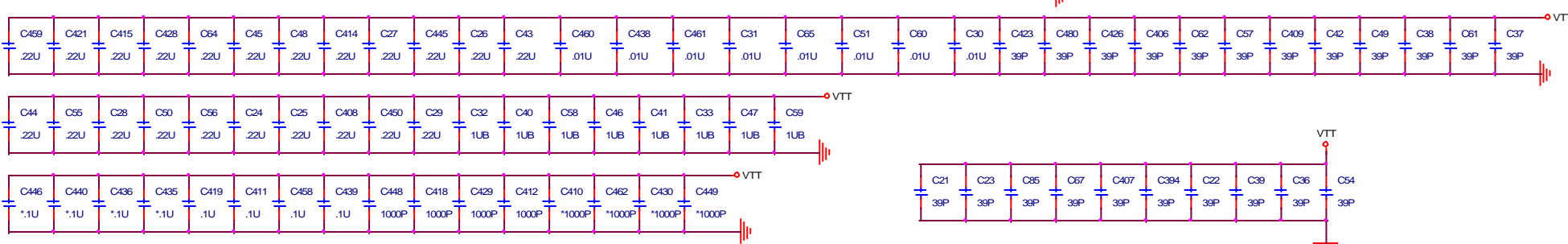
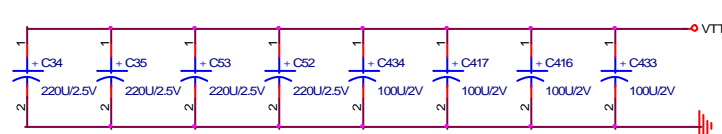
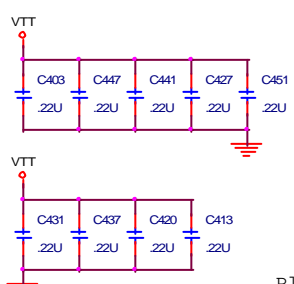
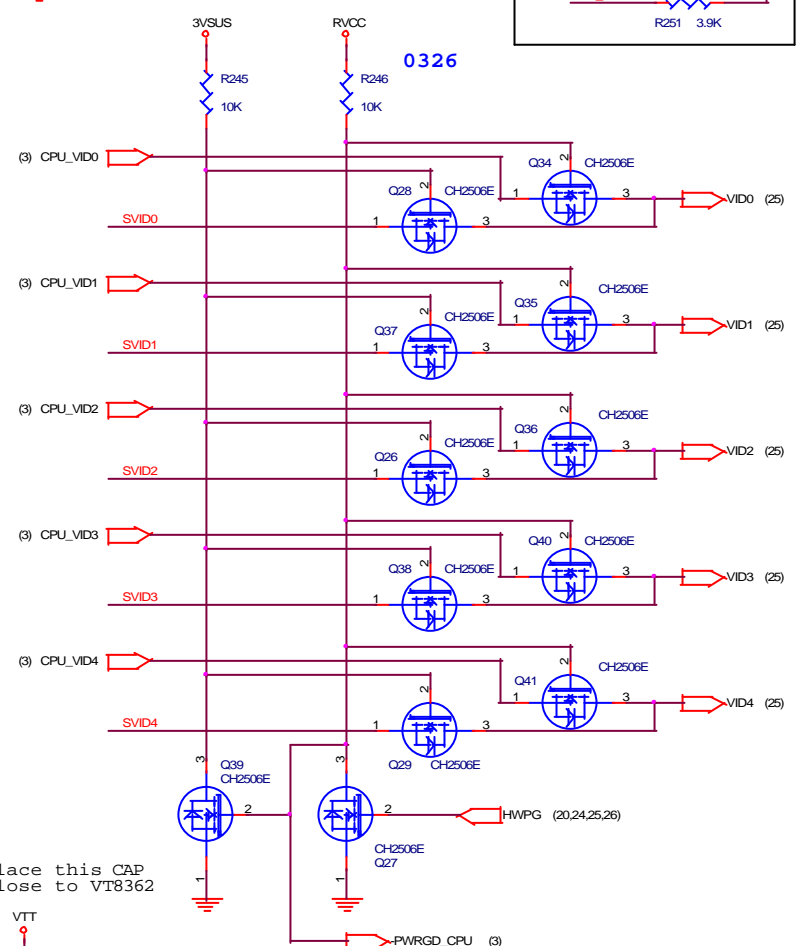
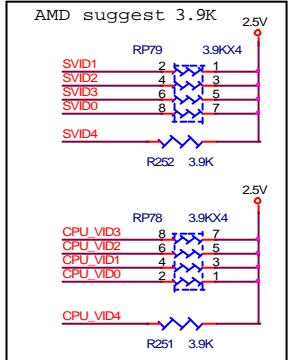
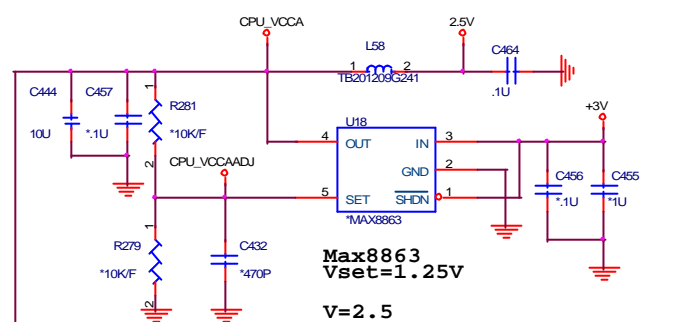
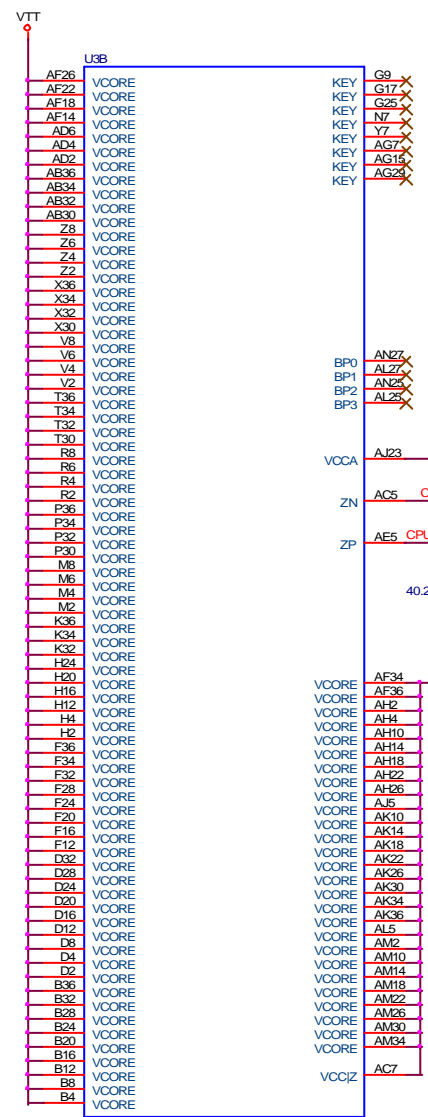
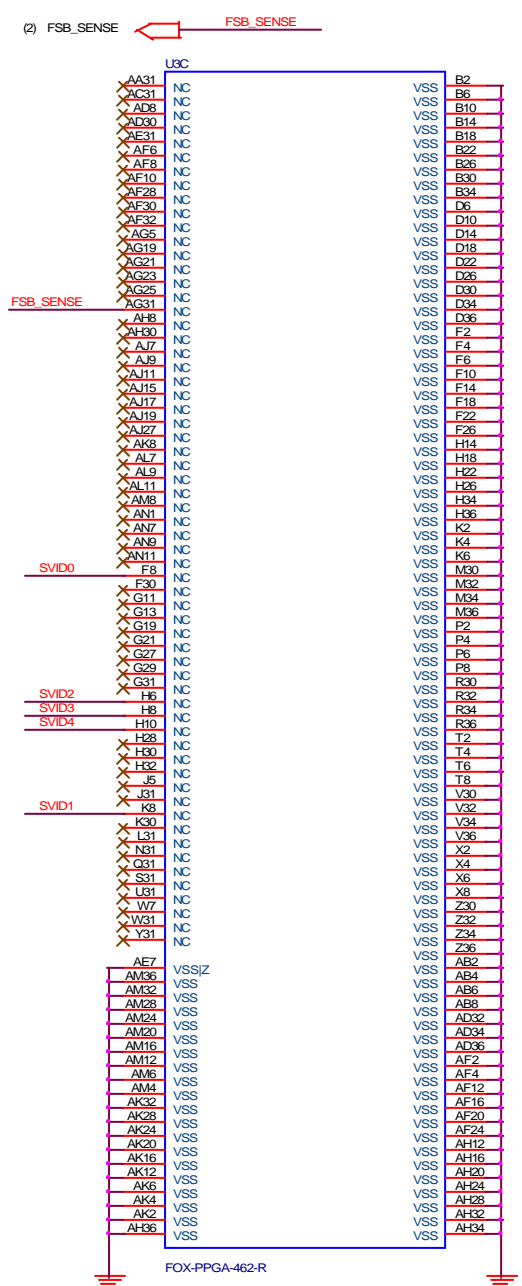
FID3	FID2	FID1	FID0	Clock Mode
0	0	0	0	11X
0	0	0	1	11.5X
0	0	1	0	12X
0	0	1	1	12.5X
0	1	0	0	5X
0	1	0	1	5.5X
0	1	1	0	6X
0	1	1	1	6.5X
1	0	0	0	7X
1	0	0	1	7.5X
1	0	1	0	8X
1	0	1	1	8.5X
1	1	0	0	9X
1	1	0	1	9.5X
1	1	1	0	10X
1	1	1	1	10.5X

The anti-pad is 54mil diameter

Place these parts close to Southbridge

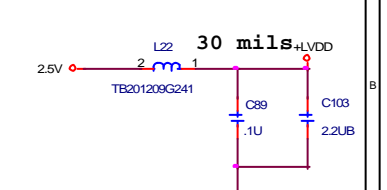
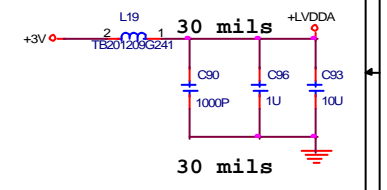
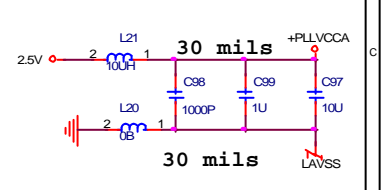
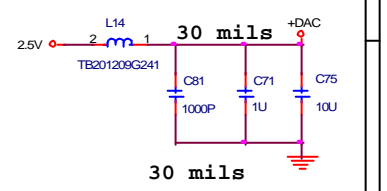
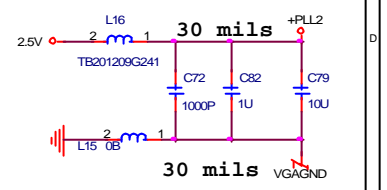
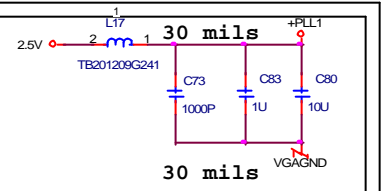
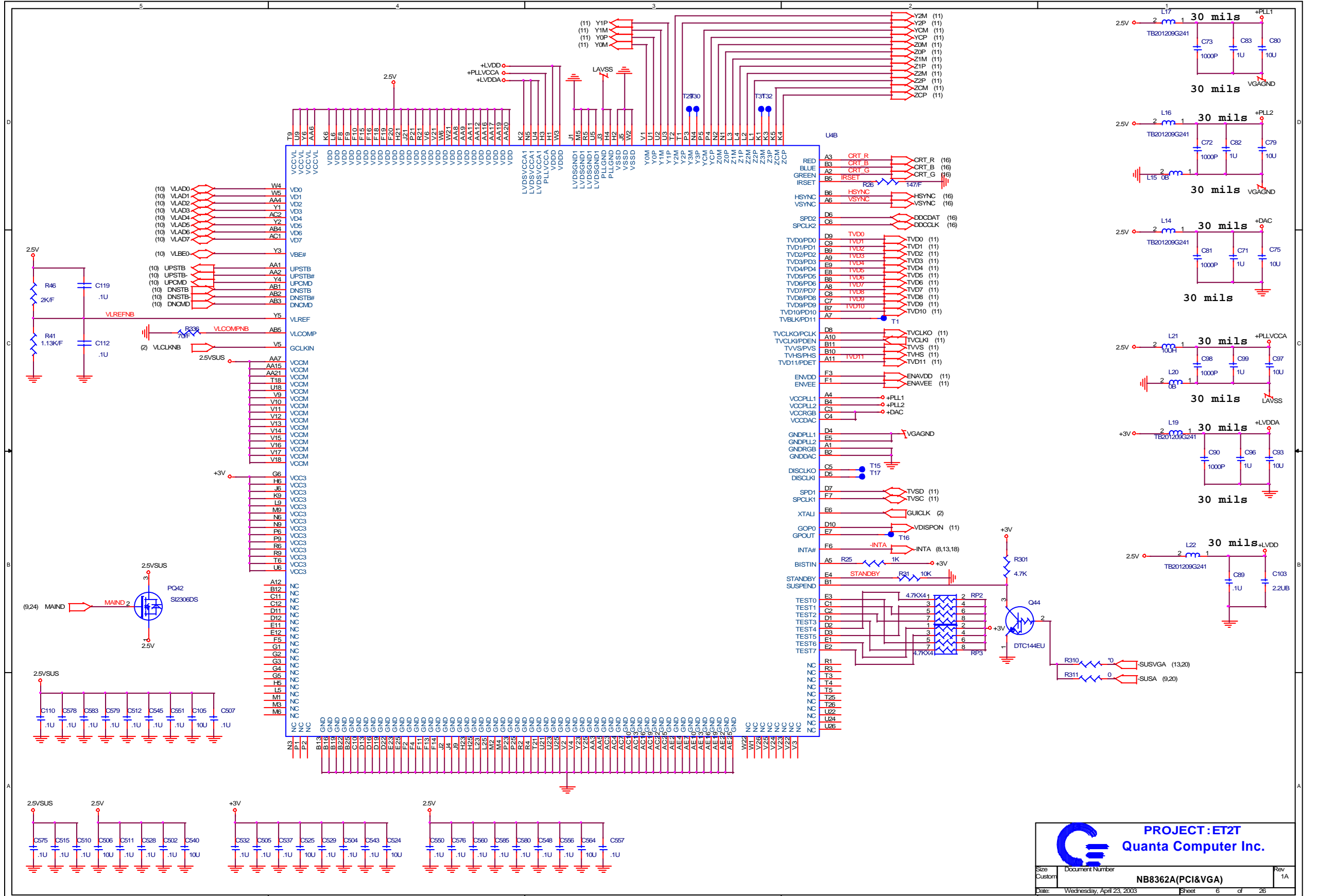
**PROJECT: ET2T**  
**Quanta Computer Inc.**

Size Custom	Document Number	Rev 1A
<b>CPU SOCKET A I</b>		
Date: Wednesday, April 23, 2003	Sheet 3 of 26	



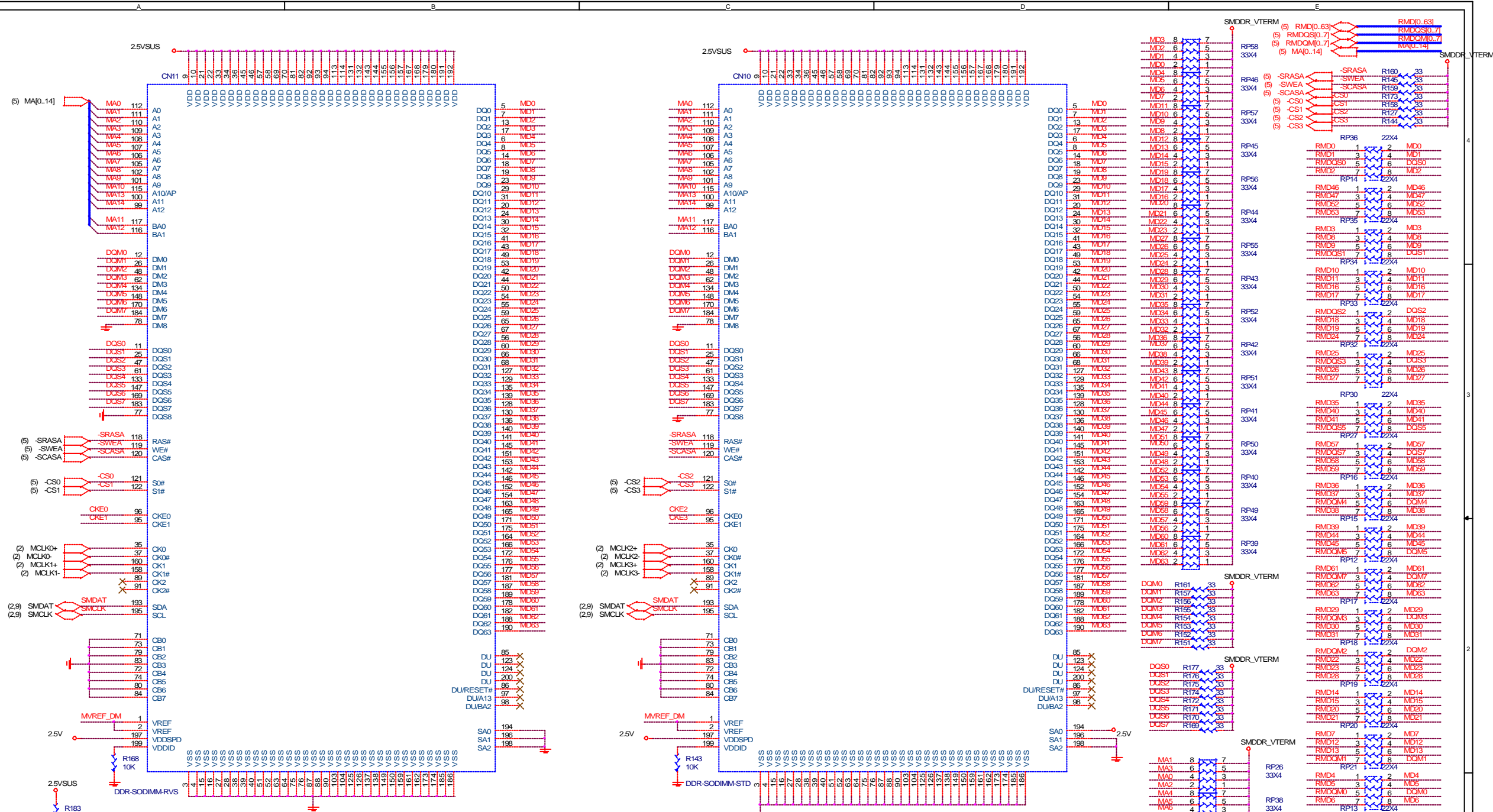
Place this CAP close to VT8362



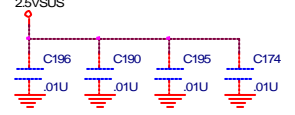


**PROJECT: ET2T**  
**Quanta Computer Inc.**

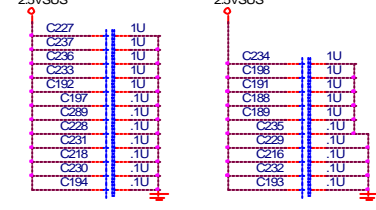
Size: Custom  
 Document Number: NB8362A(PCI&VGA)  
 Date: Wednesday, April 23, 2003  
 Sheet: 6 of 26  
 Rev: 1A



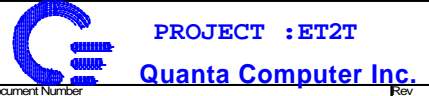
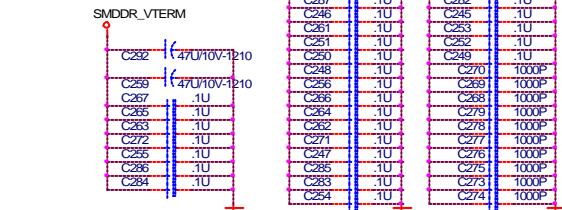
**EMI POWER PLANT BYPASS CAP**

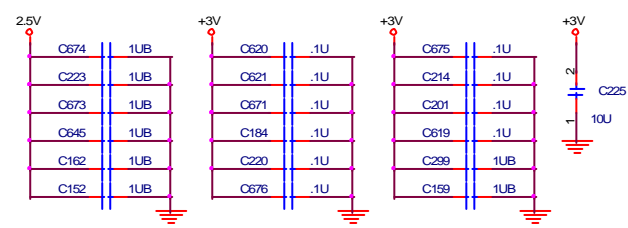
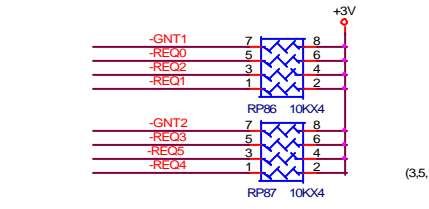
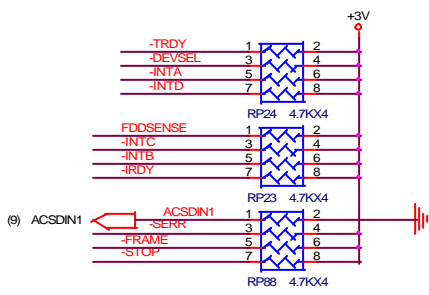
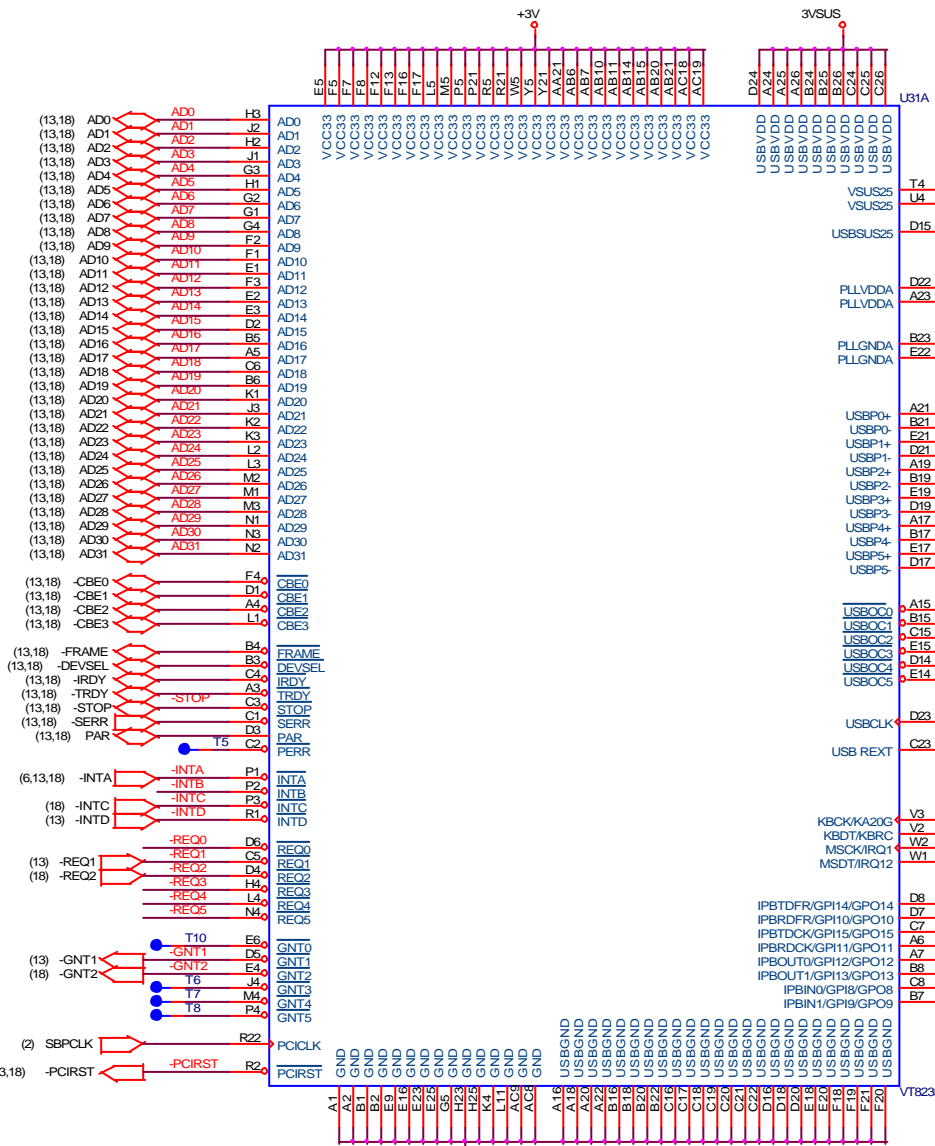
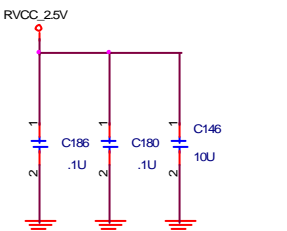
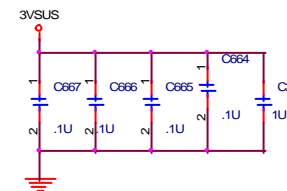
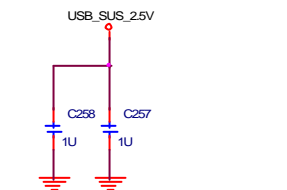
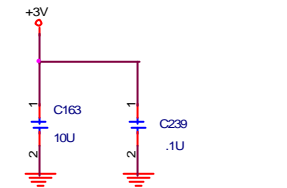
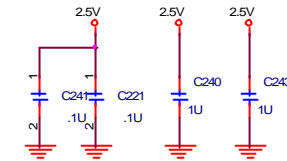
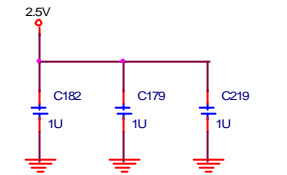
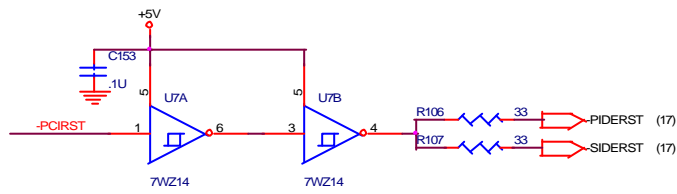


**For SODIMM**

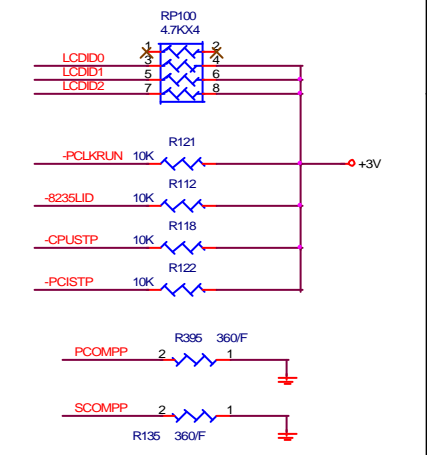
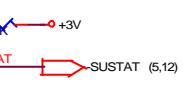
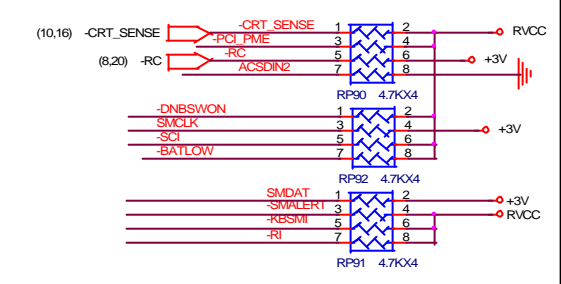
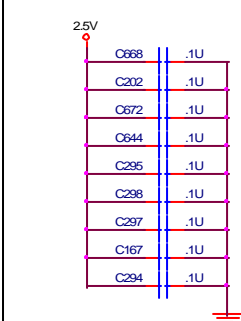
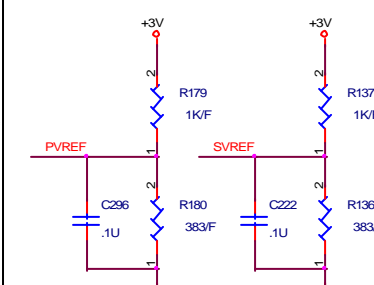
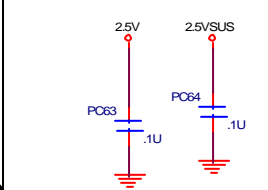
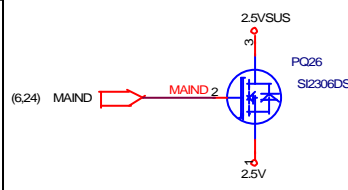
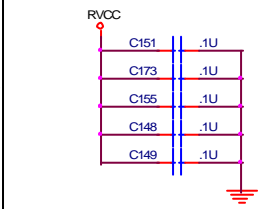
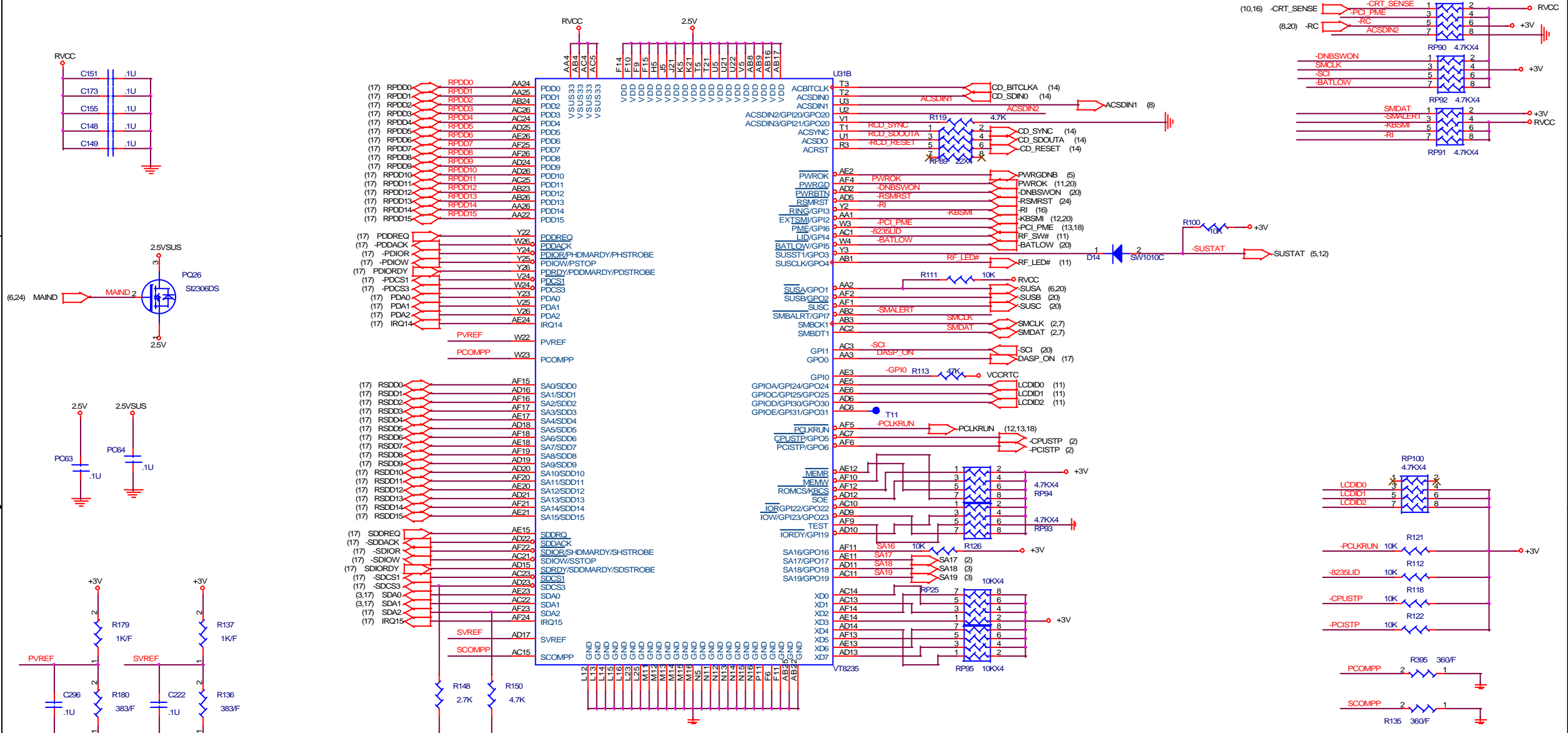


**For Terminator**







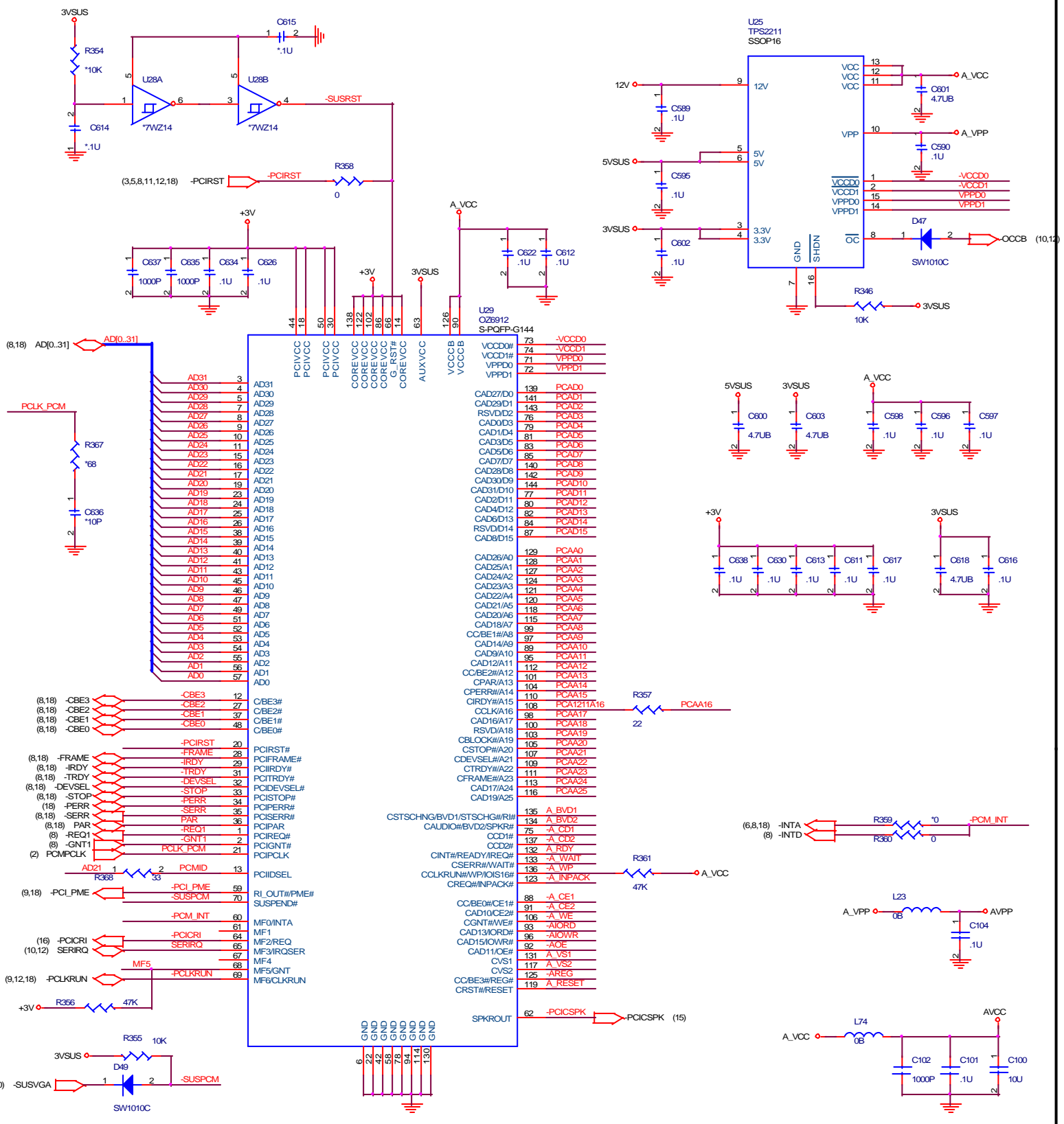


The voltage level of PVREF & SVREF is 0.9V

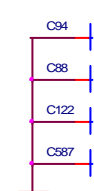
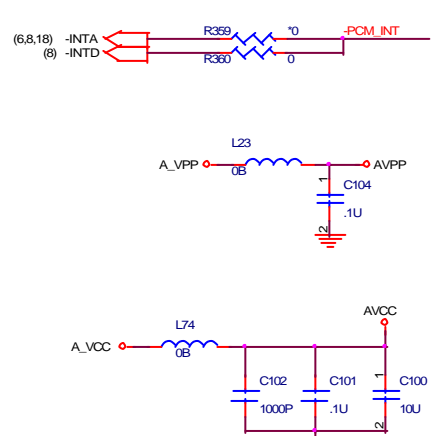
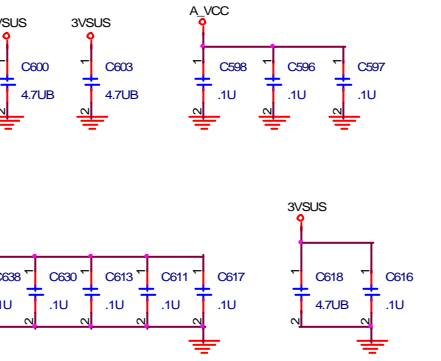
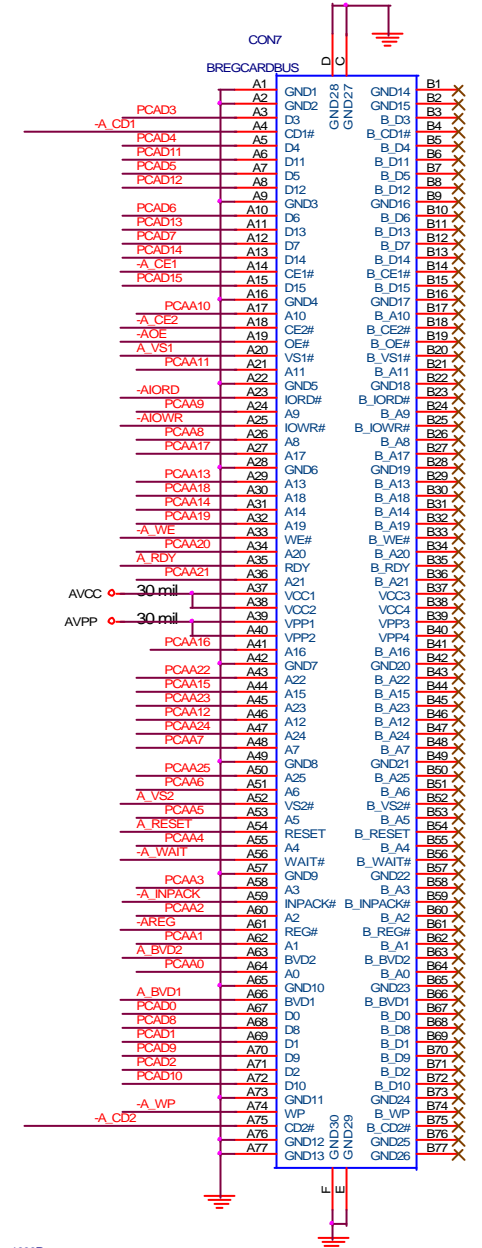








### CARDBUS PCMCIA SOCKET

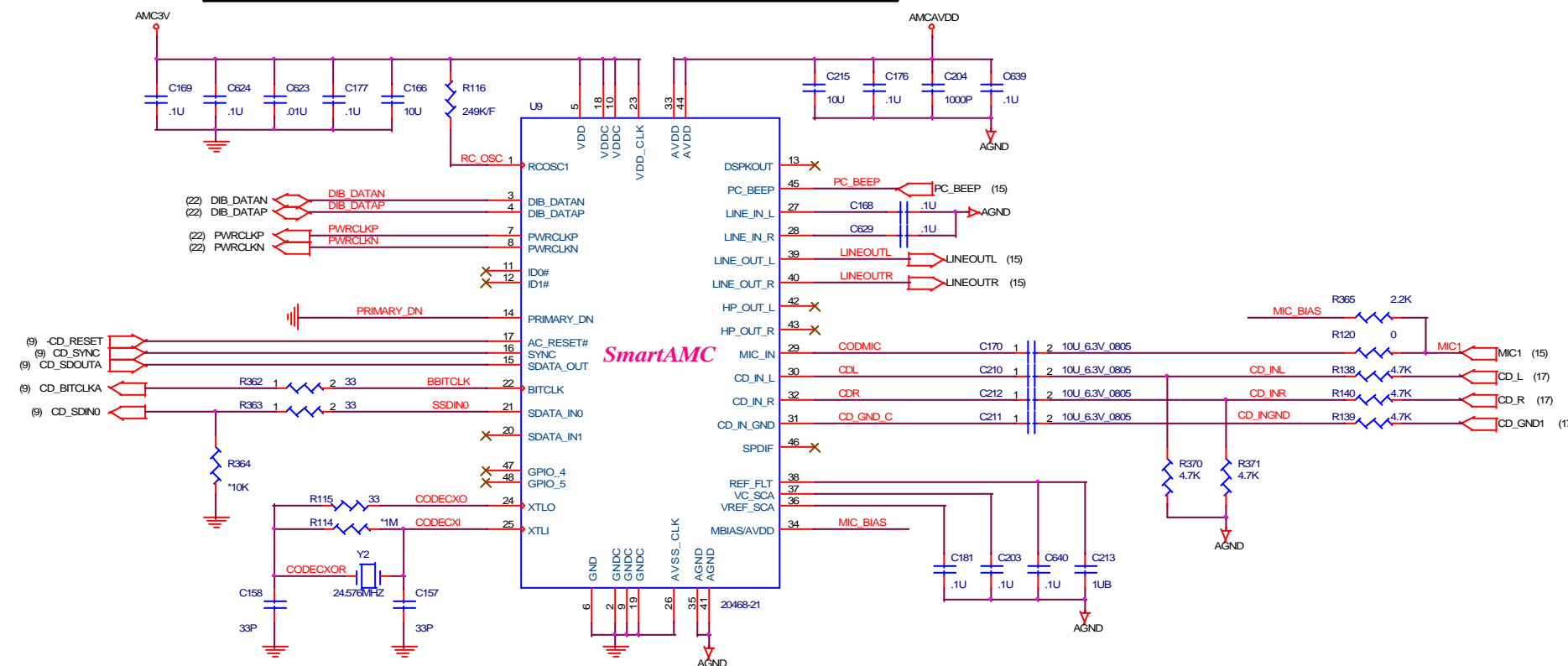


**PROJECT: ET2T**  
**Quanta Computer Inc.**

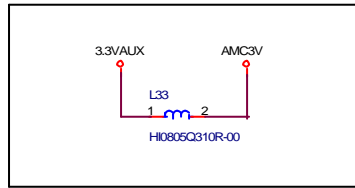
Size: Custom Document Number: **PCMCIA-OZ6912** Rev: 1A

Date: Wednesday, April 23, 2003 Sheet: 13 of 26

The AMC20463-002 modem is used for mother board family MBAMC20463-002.

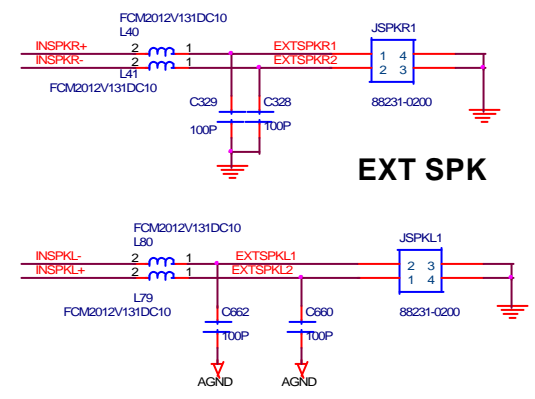
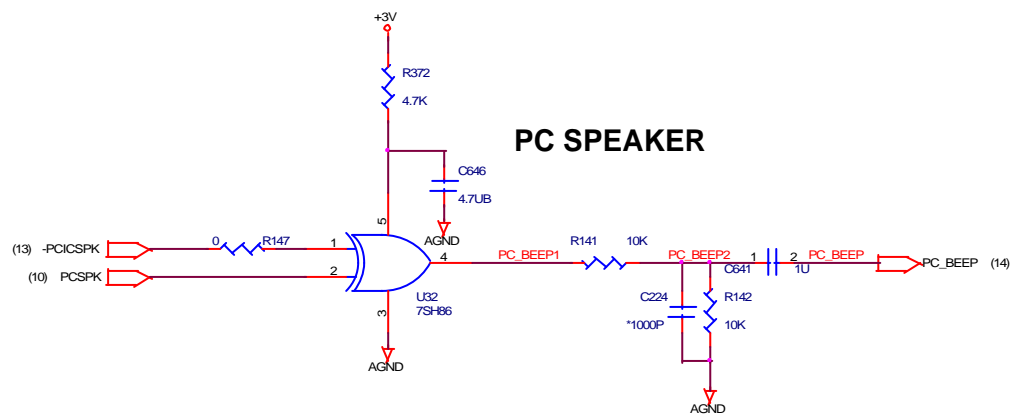
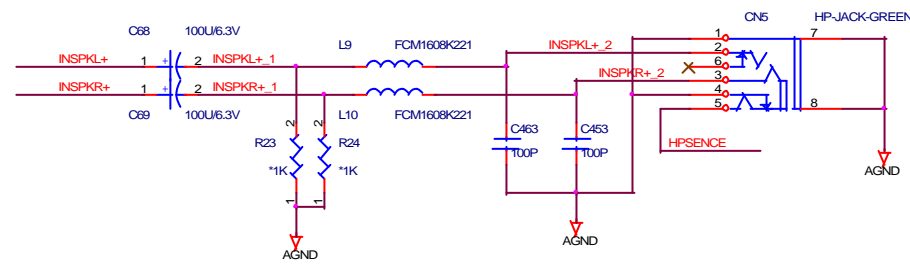
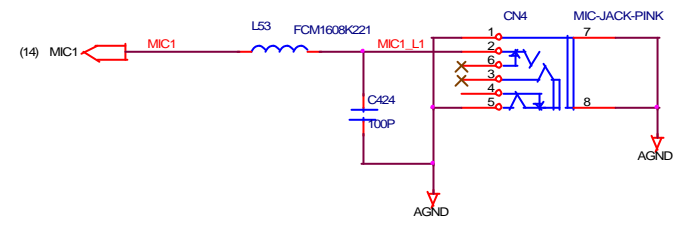
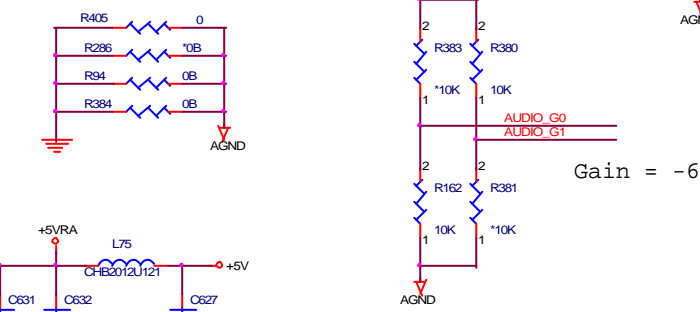
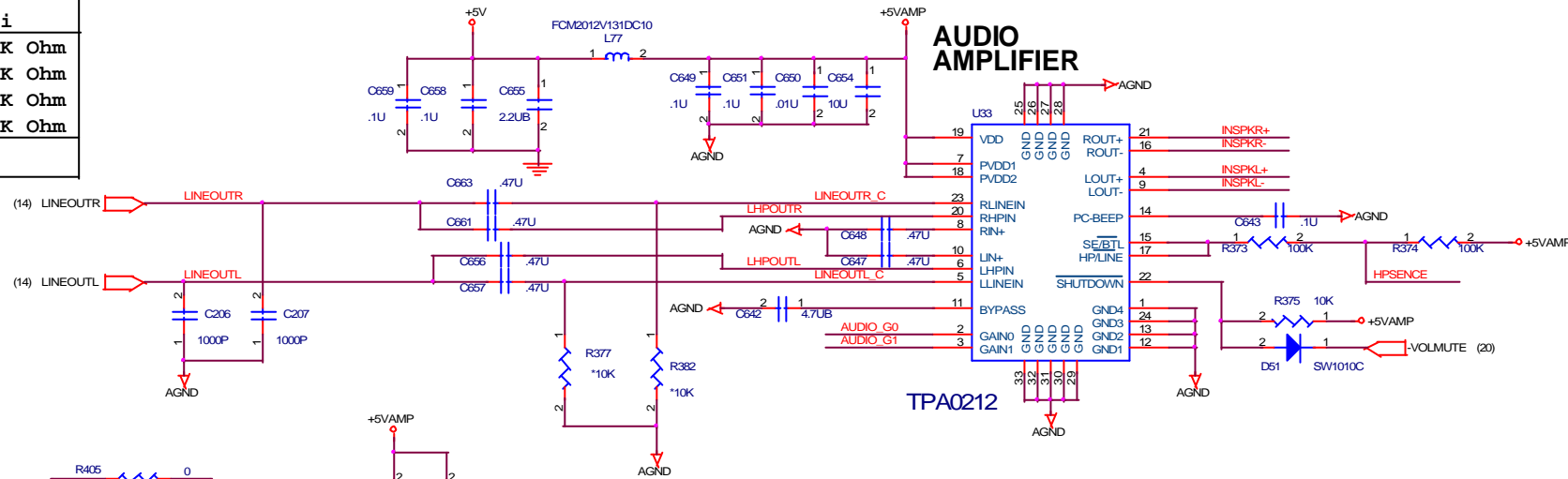
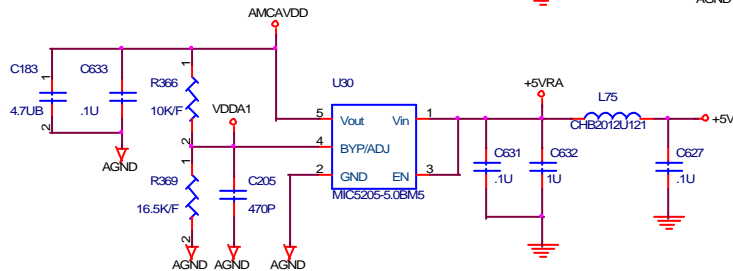


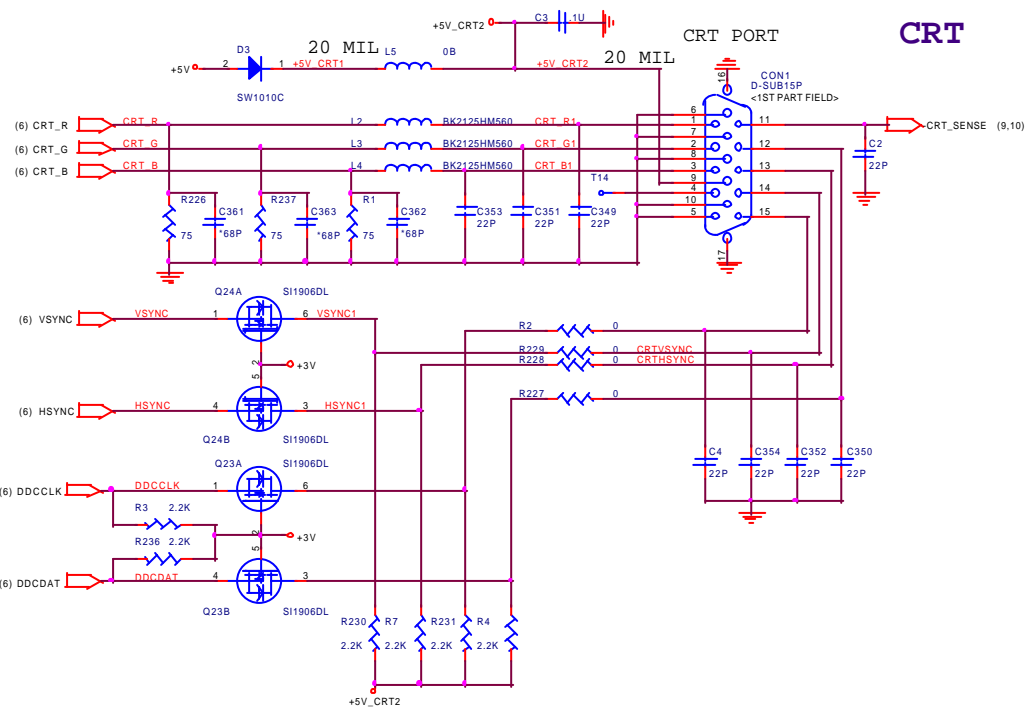
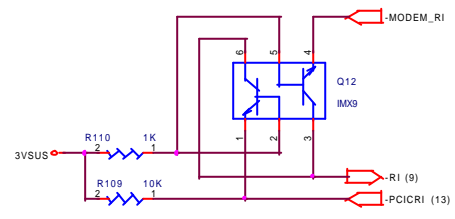
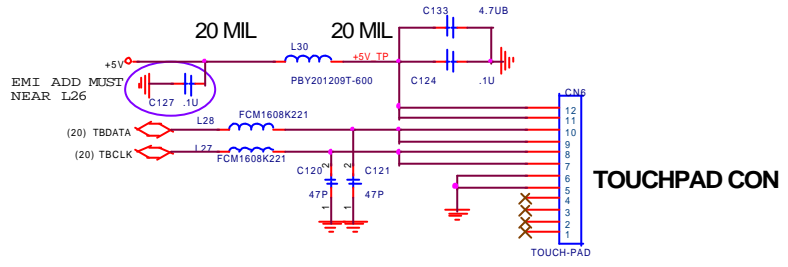
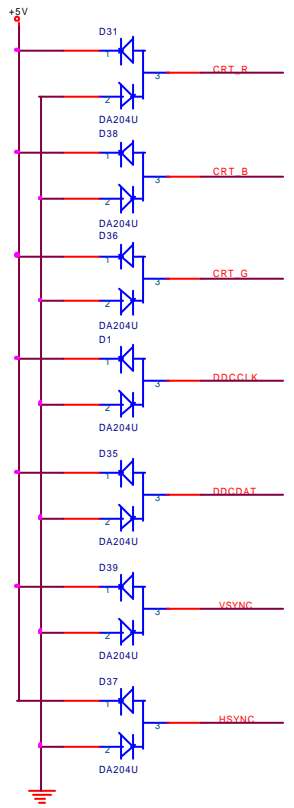
GAIN0	GAIN1	SE/BTL#	Av	Zi
0	0	0	-2 V/V	91K Ohm
0	1	0	-6 V/V	45.5K Ohm
1	0	0	-12 V/V	26K Ohm
1	1	0	-24 V/V	14K Ohm
X	X	1	-1 V/V	



$V_{set} = 1.242V$  ;  $AMCAVDD = 1.242 \times (10 + 16.5) / 10 = 3.29V$

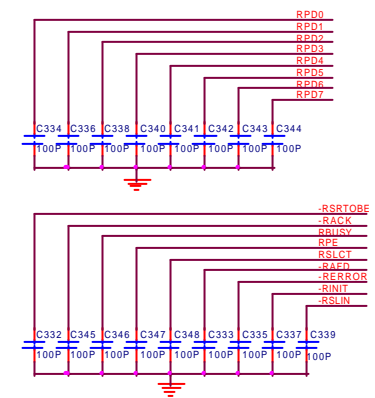
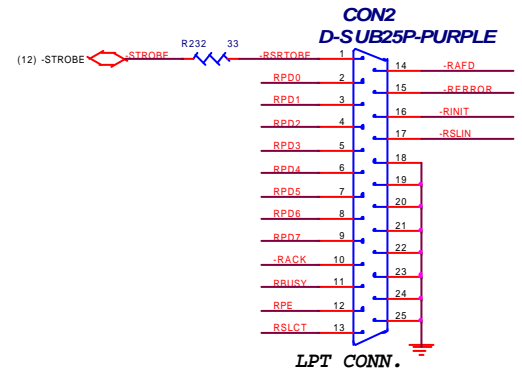
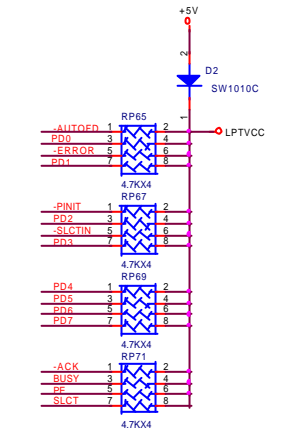
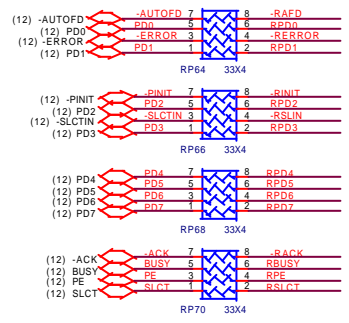
AMCVDD should be 3.3V



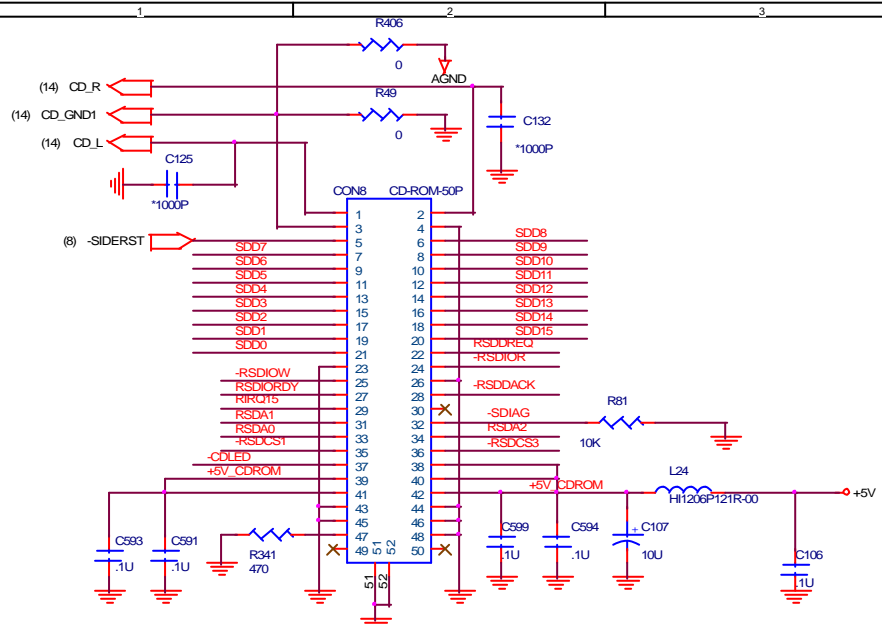


REMOVE COM PORT

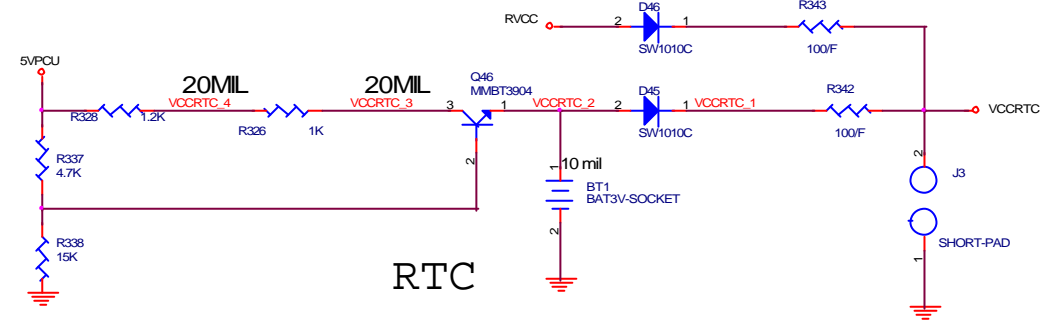
### LPT



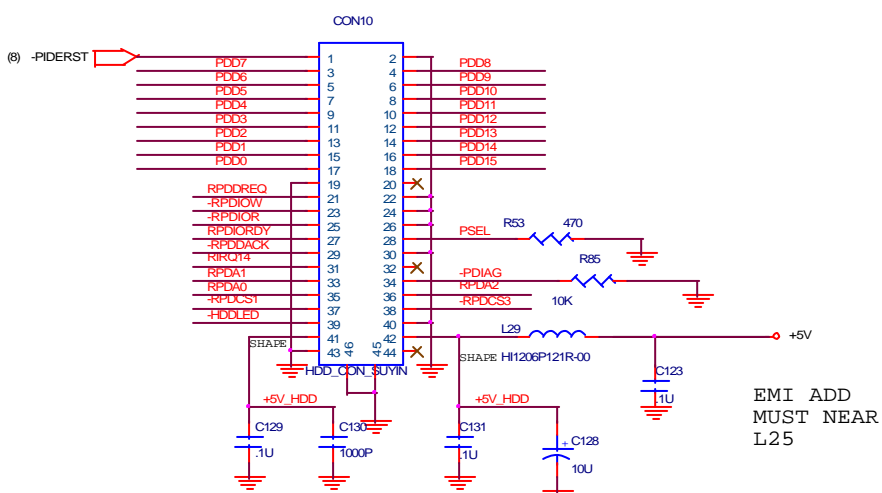
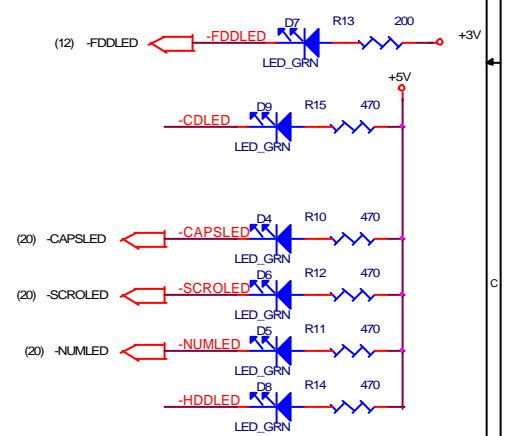
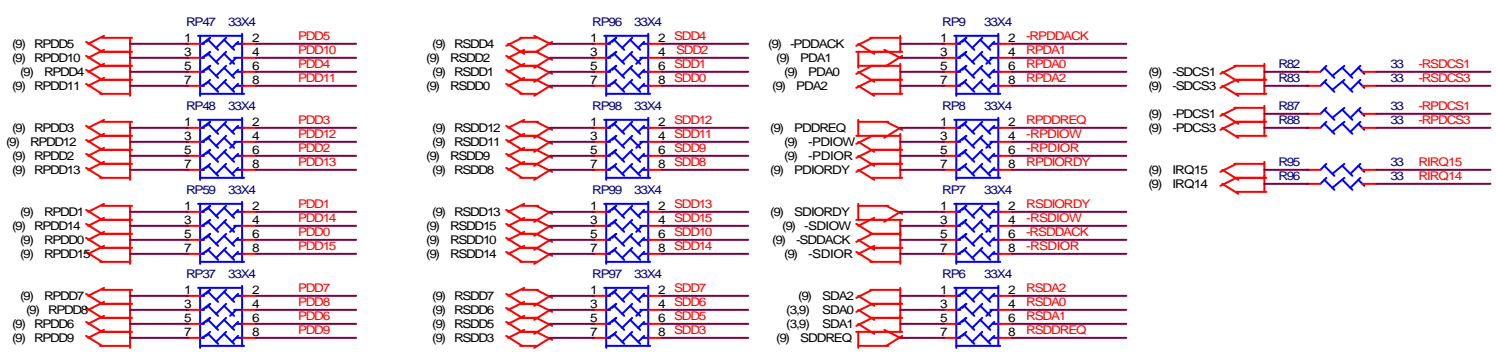
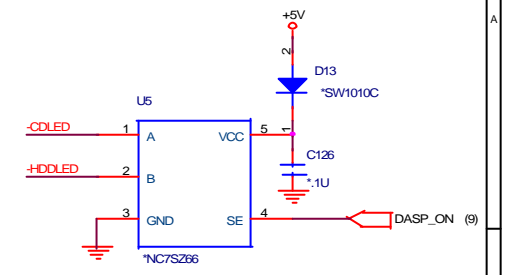




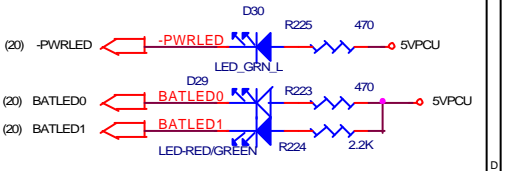
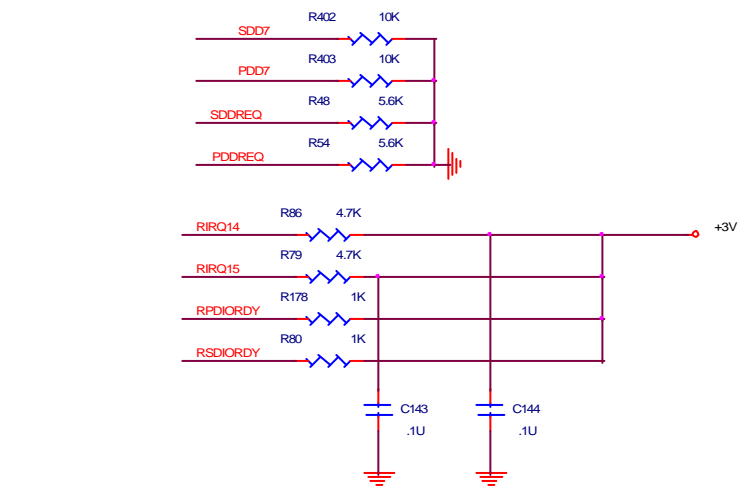
CD-ROM CONNECTOR



RTC

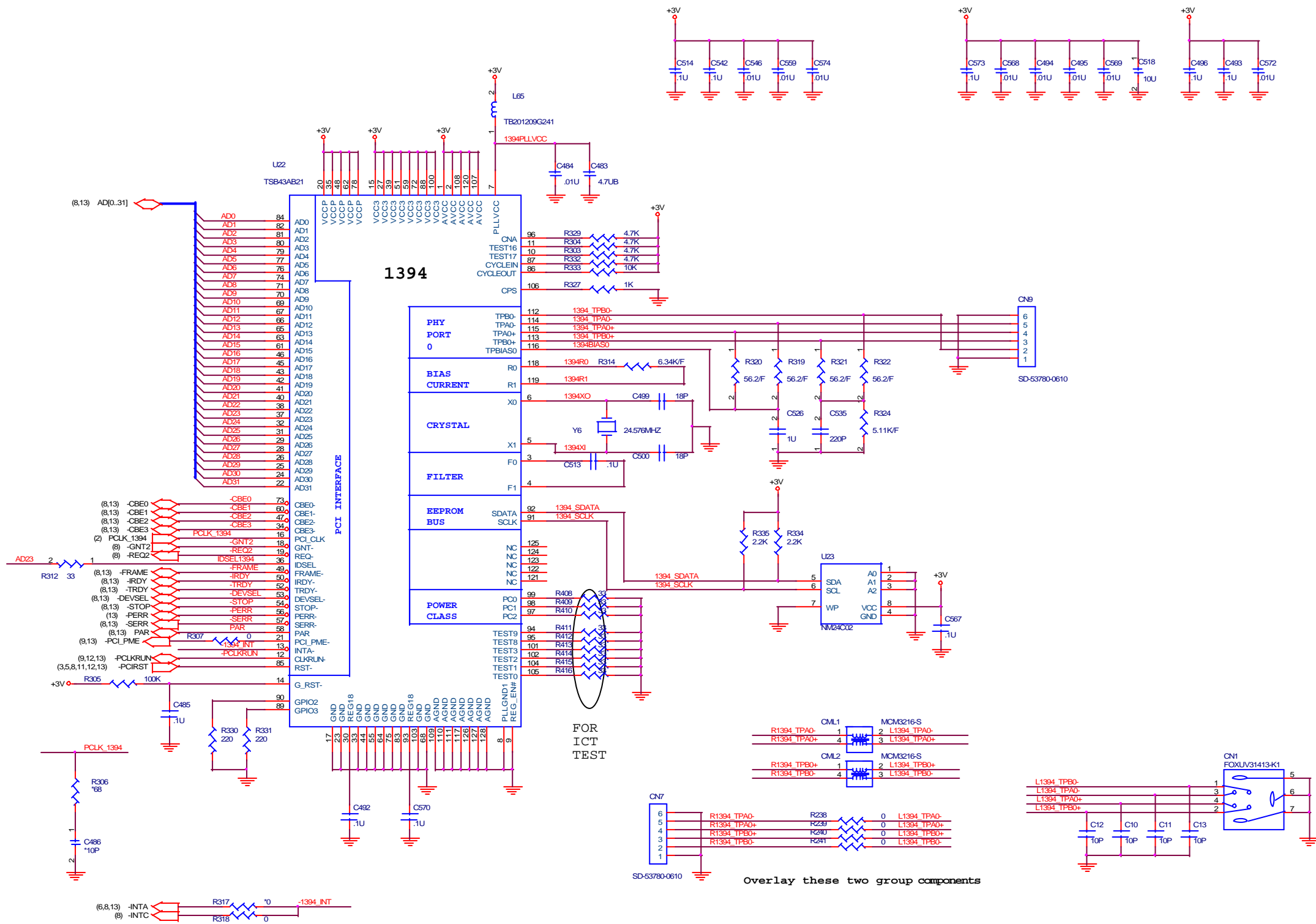


HDD connector



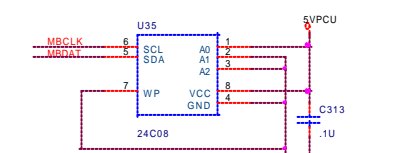
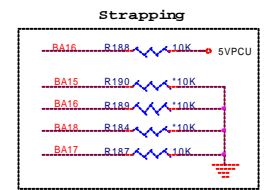
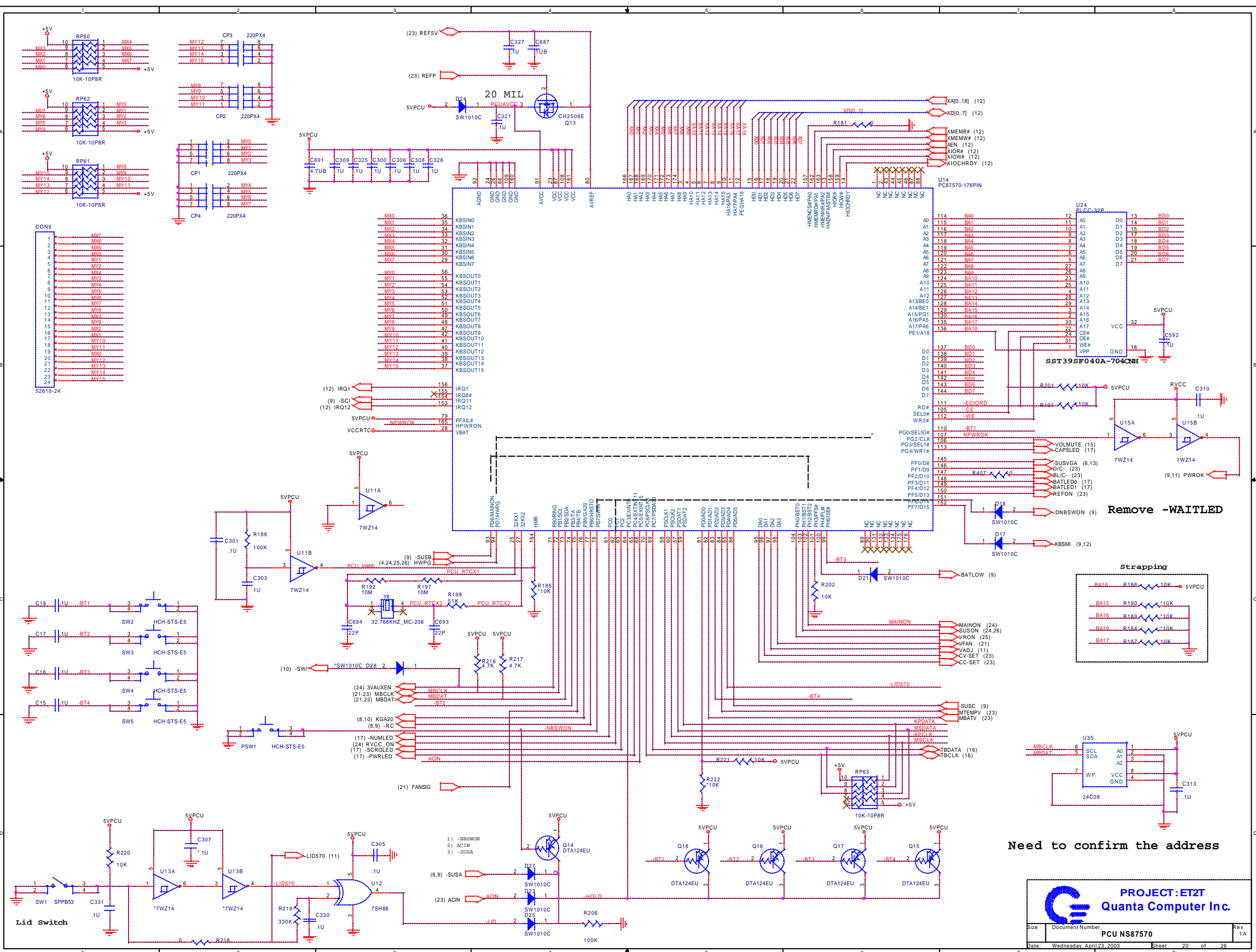
**PROJECT : ET2T**  
**Quanta Computer Inc.**

Size: Document Number: IDE,RTC,LEDs Rev: 1A  
 Date: Wednesday, April 23, 2003 Sheet: 17 of 26



Overlay these two group components





Need to confirm the address

**PROJECT:ET2T**  
**Quanta Computer Inc.**

Size: Document Number  
 PCU NS87570  
 Date: Wednesday, April 23, 2003 Sheet 20 of 26 Rev 1A

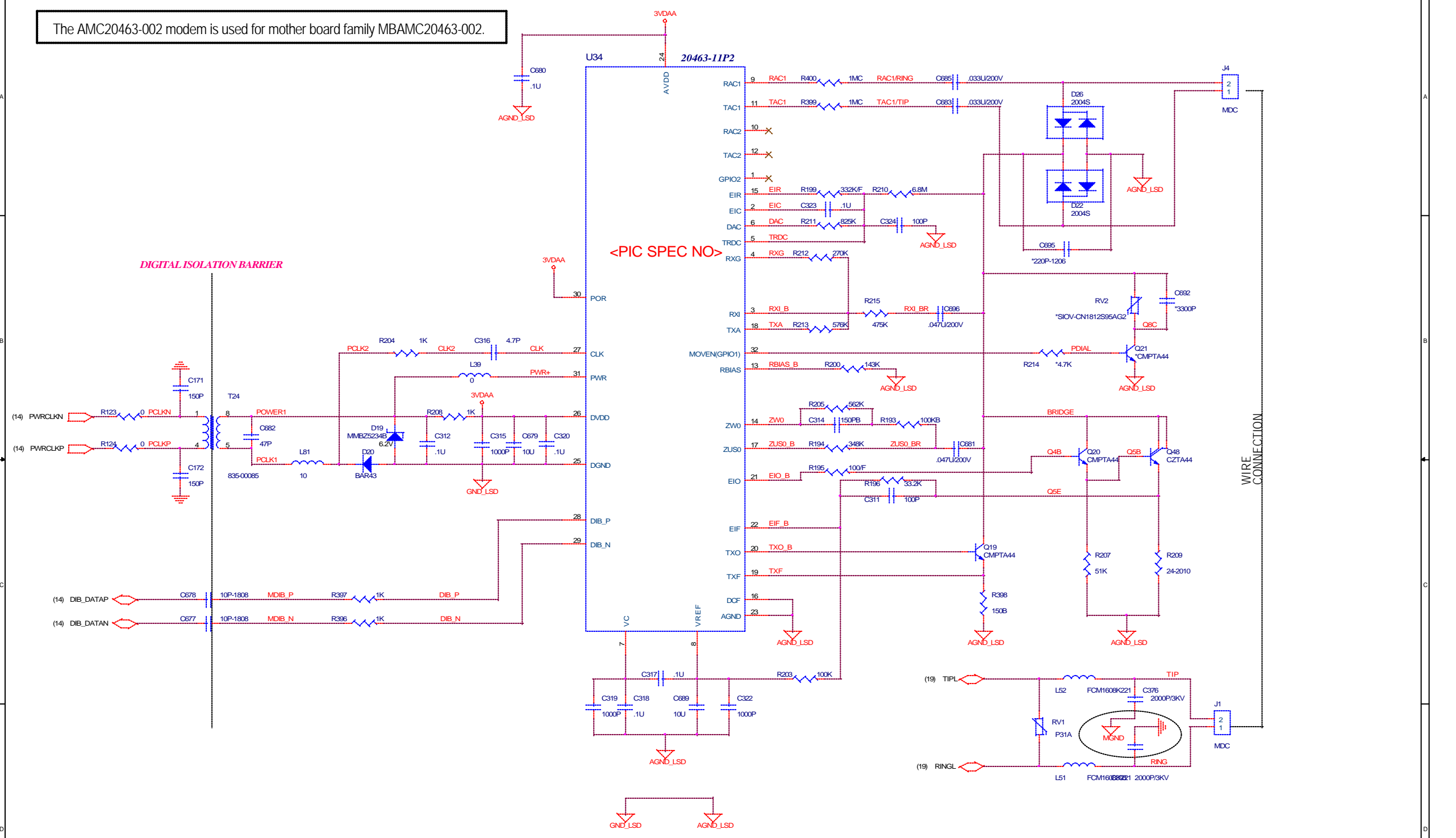


The AMC20463-002 modem is used for mother board family MBAMC20463-002.

DIGITAL ISOLATION BARRIER

<PIC SPEC NO>

U34 20463-11P2

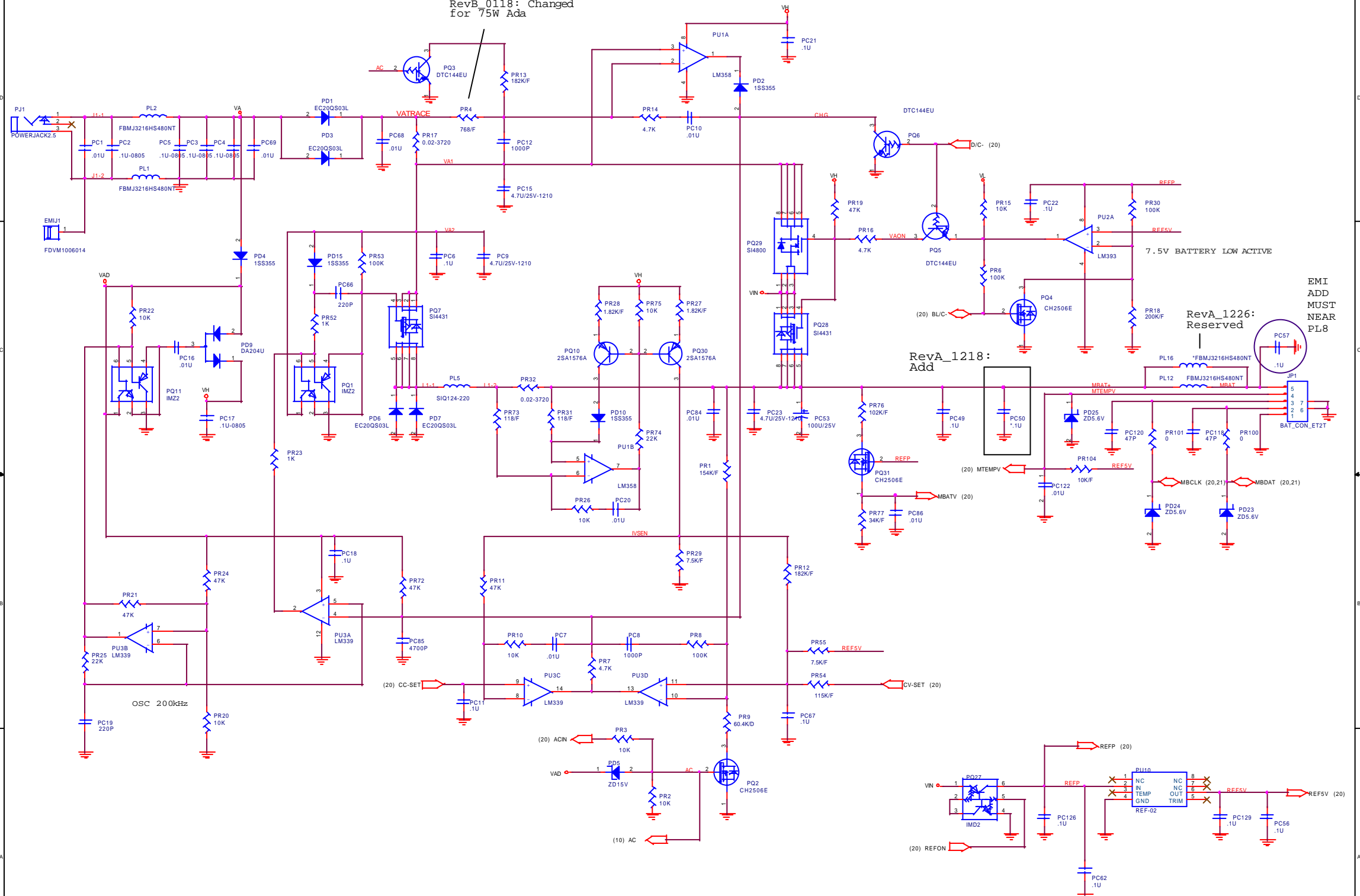


With 12 mil to connect both GND

**PROJECT: ET2T**  
**Quanta Computer Inc.**

Size	Document Number	Rev
	<b>MODEM DAA</b>	1A
Date:	Wednesday, April 23, 2003	Sheet 22 of 26

RevB\_0118: Changed  
for 75W Ada



EMI  
ADD  
MUST  
NEAR  
PL8

RevA\_1226:  
Reserved

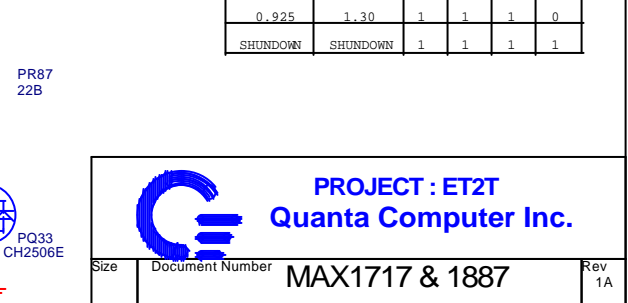
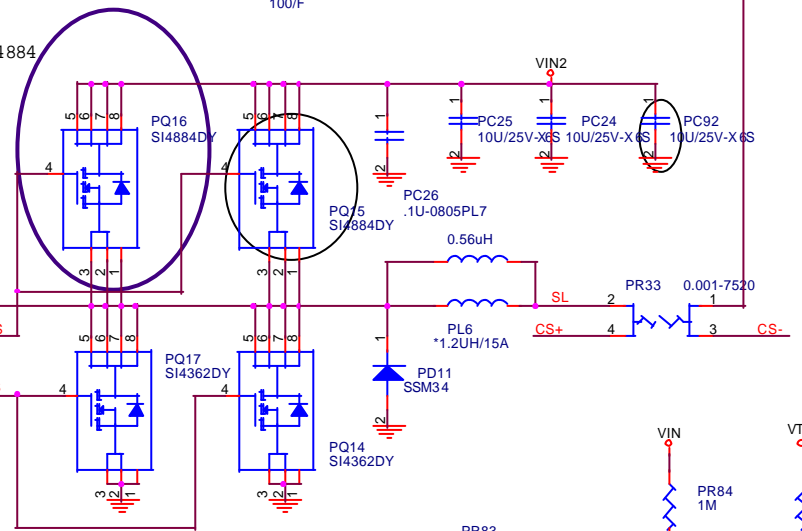
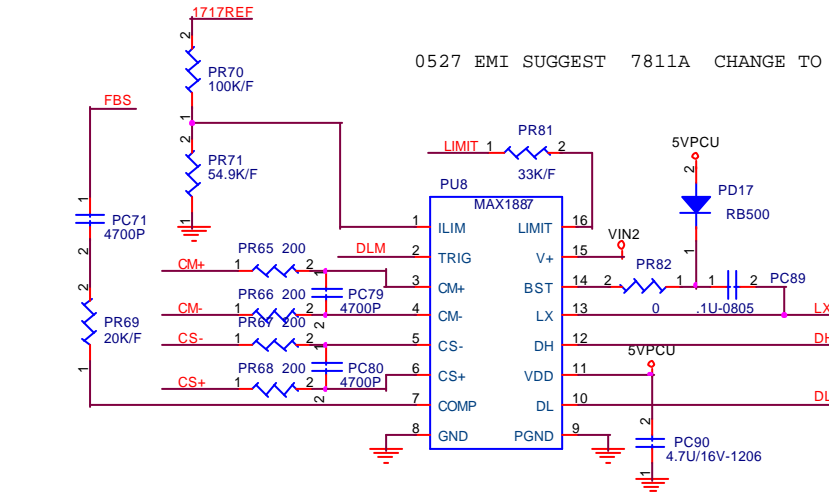
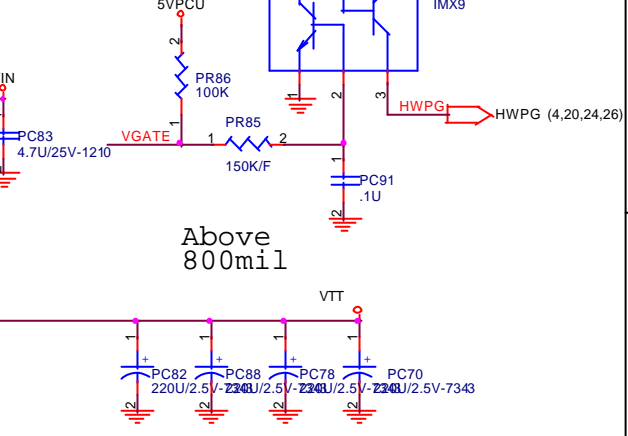
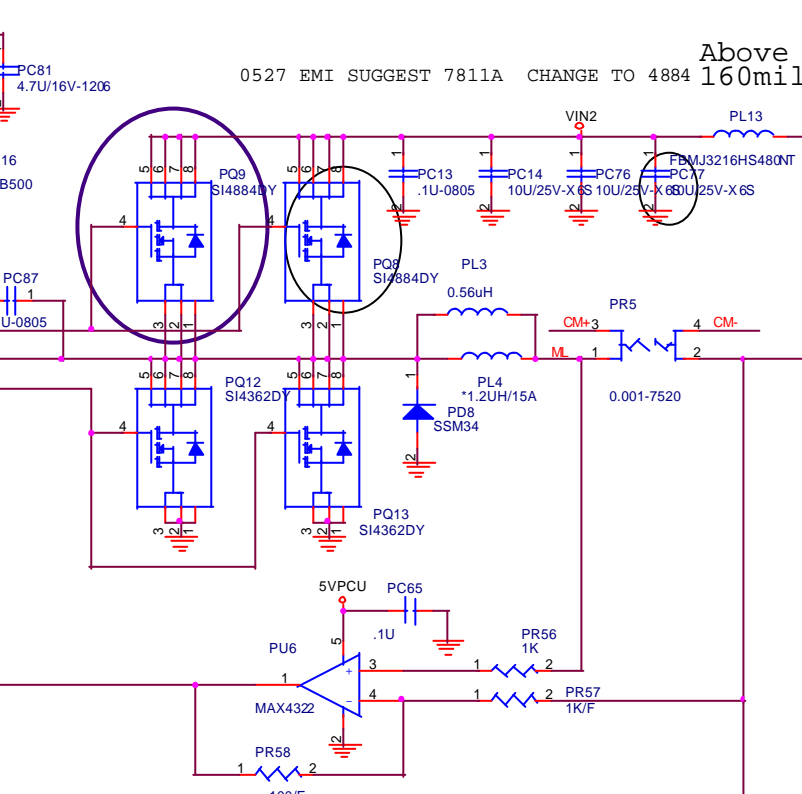
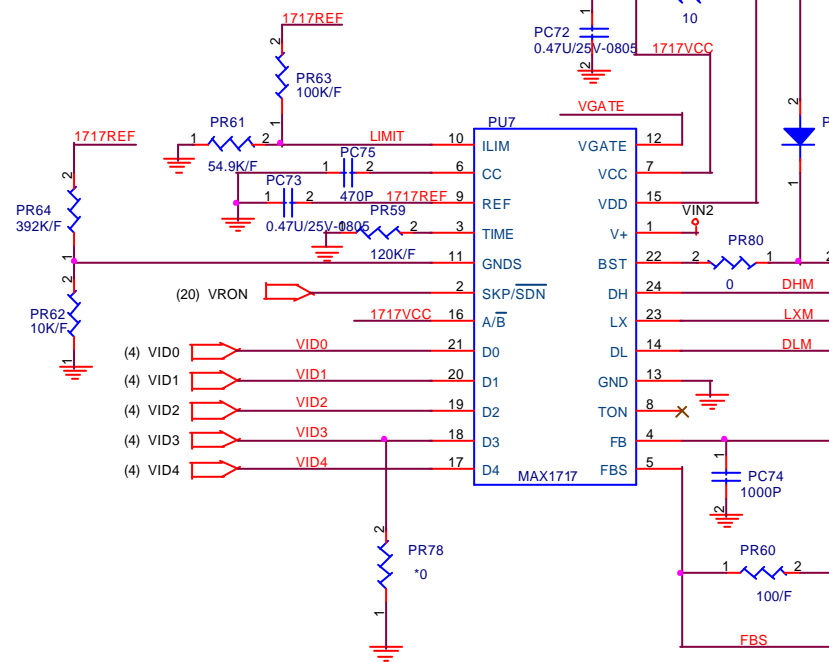
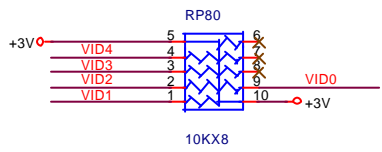
RevA\_1218:  
Add

**PROJECT: ET2T**  
**Quanta Computer Inc.**

Size	Document Number	Rev
	<b>CHARGER CIRCUIT</b>	1A
Date:	Wednesday, April 23, 2003	Sheet 23 of 26







VTT VOLTAGE SETTING  
0=GND 1=FLAOT

D4 = 1	D4 = 0	D3	D2	D1	D0
1.275	2.00	0	0	0	0
1.250	1.95	0	0	0	1
1.225	1.90	0	0	1	0
1.200	1.85	0	0	1	1
1.175	1.80	0	1	0	0
1.150	1.75	0	1	0	1
1.125	1.70	0	1	1	0
1.100	1.65	0	1	1	1
1.075	1.60	1	0	0	0
1.050	1.55	1	0	0	1
1.025	1.50	1	0	1	0
1.000	1.45	1	0	1	1
0.975	1.40	1	1	0	0
0.950	1.35	1	1	0	1
0.925	1.30	1	1	1	0
SHUTDOWN	SHUTDOWN	1	1	1	1

**PROJECT : ET2**  
**Quanta Computer Inc.**

Size Document Number **MAX1717 & 1887** Rev 1A

Date: Wednesday, April 23, 2003 Sheet 25 of 26

