



Compaq Presario CQ45 Notebook PC

Display Replacement Guide

© Copyright 2009 Hewlett-Packard
Development Company, L.P.

Athlon, Sempron, and Turion are trademarks of Advanced Micro Devices, Inc. Bluetooth is a trademark owned by its proprietor and used by Hewlett-Packard Company under license. Intel and Core are trademarks of Intel Corporation in the U.S. and other countries. Microsoft, Windows, and Windows Vista are U.S. registered trademarks of Microsoft Corporation. SD Logo is a trademark of its proprietor.

The information contained herein is subject to change without notice. The only warranties for HP products and services are set forth in the express warranty statements accompanying such products and services. Nothing herein should be construed as constituting an additional warranty. HP shall not be liable for technical or editorial errors or omissions contained herein.

First Edition: September 2009

Document Part Number: 592772-001

Table of contents

1 Removal and replacement procedures

Preliminary replacement requirements	2
Tools required	2
Service considerations	2
Plastic parts	2
Cables and connectors	3
Drive handling	3
Grounding guidelines	4
Electrostatic discharge damage	4
Component replacement procedures	5
Display assembly	5

2 Recycling

Display	17
---------------	----

Index	23
--------------------	-----------

1 Removal and replacement procedures

Preliminary replacement requirements


Tools required

You will need the following tools to complete the removal and replacement procedures:

- Flat-bladed screwdriver
- Magnetic screwdriver
- Phillips P0 and P1 screwdrivers

Service considerations

The following sections include some of the considerations that you must keep in mind during disassembly and assembly procedures.

 **NOTE:** As you remove each subassembly from the computer, place the subassembly (and all accompanying screws) away from the work area to prevent damage.

Plastic parts

Using excessive force during disassembly and reassembly can damage plastic parts. Use care when handling the plastic parts. Apply pressure only at the points designated in the maintenance instructions.

Cables and connectors

-
- △ **CAUTION:** When servicing the computer, be sure that cables are placed in their proper locations during the reassembly process. Improper cable placement can damage the computer.
-

Cables must be handled with extreme care to avoid damage. Apply only the tension required to unseat or seat the cables during removal and insertion. Handle cables by the connector whenever possible. In all cases, avoid bending, twisting, or tearing cables. Be sure that cables are routed in such a way that they cannot be caught or snagged by parts being removed or replaced. Handle flex cables with extreme care; these cables tear easily.

Drive handling

-
- △ **CAUTION:** Drives are fragile components that must be handled with care. To prevent damage to the computer, damage to a drive, or loss of information, observe these precautions:
-

Before removing or inserting a hard drive, shut down the computer. If you are unsure whether the computer is off or in Hibernation, turn the computer on, and then shut it down through the operating system.

Before handling a drive, be sure that you are discharged of static electricity. While handling a drive, avoid touching the connector.

Before removing a diskette drive or optical drive, be sure that a diskette or disc is not in the drive and be sure that the optical drive tray is closed.

Handle drives on surfaces covered with at least one inch of shock-proof foam.

Avoid dropping drives from any height onto any surface.

After removing a hard drive, an optical drive, or a diskette drive, place it in a static-proof bag.

Avoid exposing a hard drive to products that have magnetic fields, such as monitors or speakers.

Avoid exposing a drive to temperature extremes or liquids.

If a drive must be mailed, place the drive in a bubble pack mailer or other suitable form of protective packaging and label the package "FRAGILE."

Grounding guidelines

Electrostatic discharge damage

Electronic components are sensitive to electrostatic discharge (ESD). Circuitry design and structure determine the degree of sensitivity. Networks built into many integrated circuits provide some protection, but in many cases, ESD contains enough power to alter device parameters or melt silicon junctions.

A discharge of static electricity from a finger or other conductor can destroy static-sensitive devices or microcircuitry. Even if the spark is neither felt nor heard, damage may have occurred.

An electronic device exposed to ESD may not be affected at all and can work perfectly throughout a normal cycle. Or the device may function normally for a while, then degrade in the internal layers, reducing its life expectancy.

△ **CAUTION:** To prevent damage to the computer when you are removing or installing internal components, observe these precautions:

Keep components in their electrostatic-safe containers until you are ready to install them.

Use nonmagnetic tools.

Before touching an electronic component, discharge static electricity by using the guidelines described in this section.

Avoid touching pins, leads, and circuitry. Handle electronic components as little as possible.

If you remove a component, place it in an electrostatic-safe container.

Component replacement procedures

Display assembly

Description	Spare part number
14.1-inch, WXGA, BrightView display assembly for use only in computer models with a camera module (includes microphones)	486728-001
14.1-inch, WXGA, BrightView display assembly for use only in computer models without a camera module (includes microphones)	486729-001

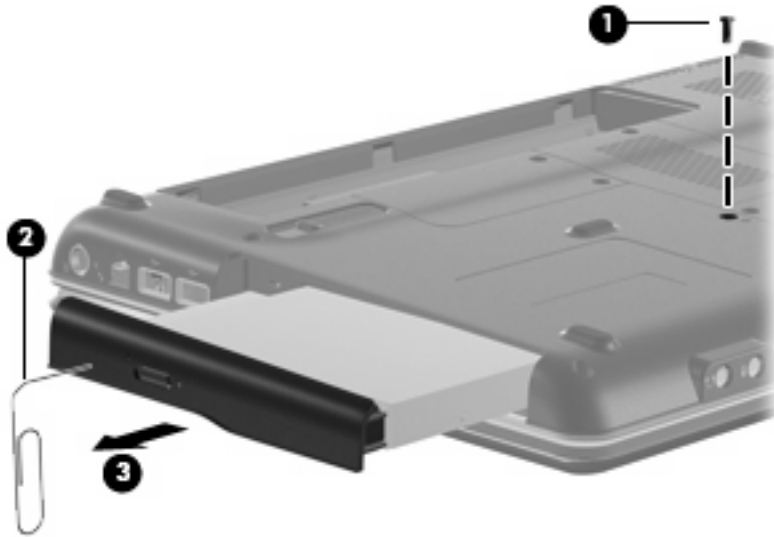
Remove the display assembly:

1. Shut down the computer. If you are unsure whether the computer is off or in Hibernation, turn the computer on, and then shut it down through the operating system.
2. Disconnect all external devices connected to the computer.
3. Disconnect the power from the computer by first unplugging the power cord from the AC outlet and then unplugging the AC adapter from the computer.
4. Turn the computer upside down on a flat surface.
5. Slide the battery release latch **(1)** to release the battery.
6. Pivot the battery **(2)** upward and lift it out of the computer **(3)**.

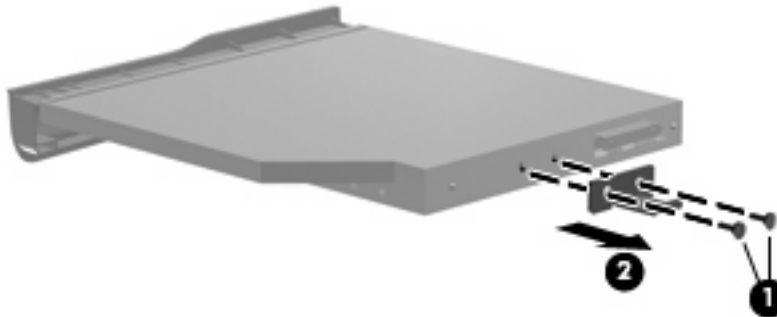


7. Position the computer with the right side toward you.
8. Remove the Phillips PM2.5×6.0 screw **(1)** that secures the optical drive to the computer.
9. Insert a thin tool, such as a paper clip **(2)**, into the release access. (The optical drive media tray is partially ejected from the optical drive.)

10. Use the media tray frame to remove the optical drive (3).



11. If it is necessary to replace the optical drive bracket, position the optical drive with the optical drive bracket toward you.
12. Remove the two Phillips PM2.0×3.0 screws (1) that secure the optical drive bracket to the optical drive.
13. Remove the optical drive bracket (2).

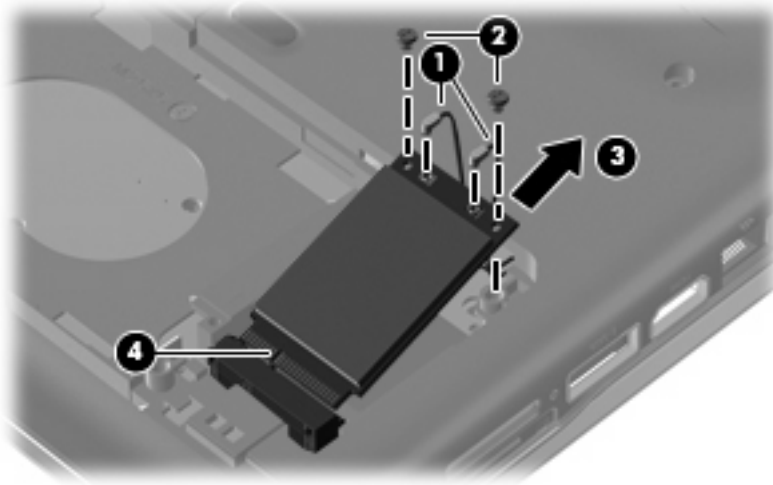


14. Position the computer with the front toward you.
15. Disconnect the two WLAN antenna cables (1) from the WLAN module.
16. Remove the two Phillips PM2.0×3.0 screws (2) that secure the WLAN module to the computer. (The edge of the module opposite the slot rises away from the computer.)

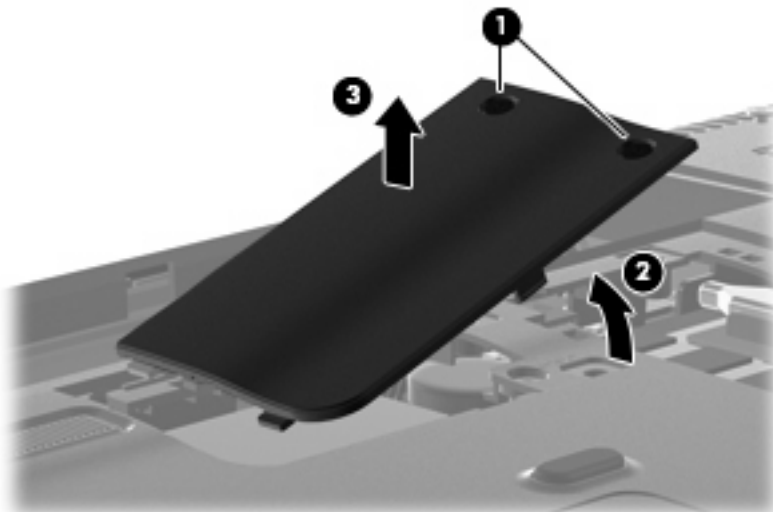
17. Remove the WLAN module (3) by pulling it away from the slot at an angle.

△ **CAUTION:** To prevent an unresponsive system, replace the wireless module only with a wireless module authorized for use in the computer by the governmental agency that regulates wireless devices in your country or region. If you replace the module and then receive a warning message, remove the module to restore computer functionality, and then contact technical support through Help and Support.

📄 **NOTE:** WLAN modules are designed with a notch (4) to prevent incorrect insertion into the WLAN module slot.




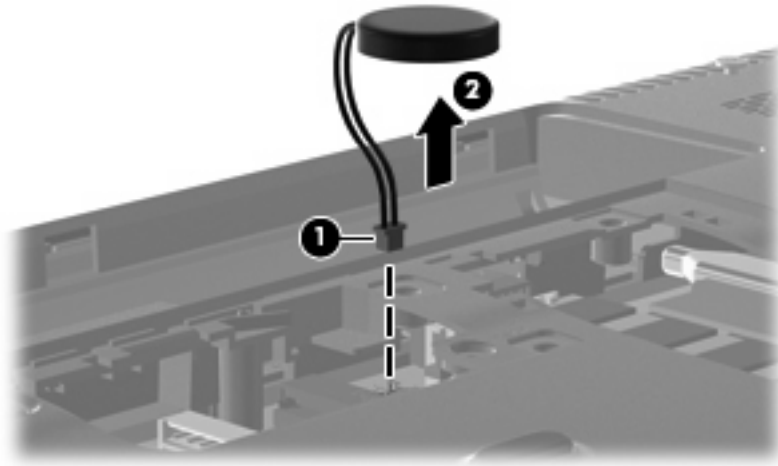
18. Remove the two Phillips PM2.5×6.0 screws (1) that secure the RTC battery compartment cover to the computer.
19. Lift the right side of the cover (2), swing it to left, and remove the cover (3). The RTC battery compartment cover is included in the Plastics Kit, spare part number 486862-001.



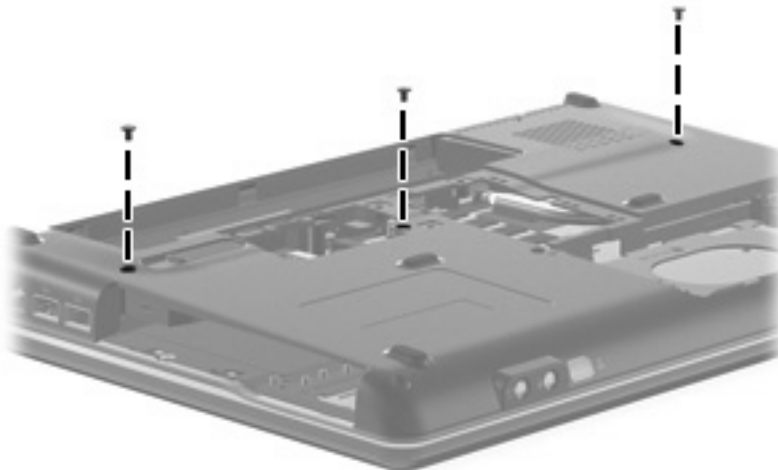
20. Disconnect the RTC battery cable (1) from the system board.

21. Remove the RTC battery (2).

 **NOTE:** Removing the RTC battery and leaving it uninstalled for 5 or more minutes causes all passwords and CMOS settings to be cleared.



22. Turn the computer upside down, with the front toward you.
23. Remove the three Phillips PM2.5×17.0 screws that secure the keyboard to the computer.

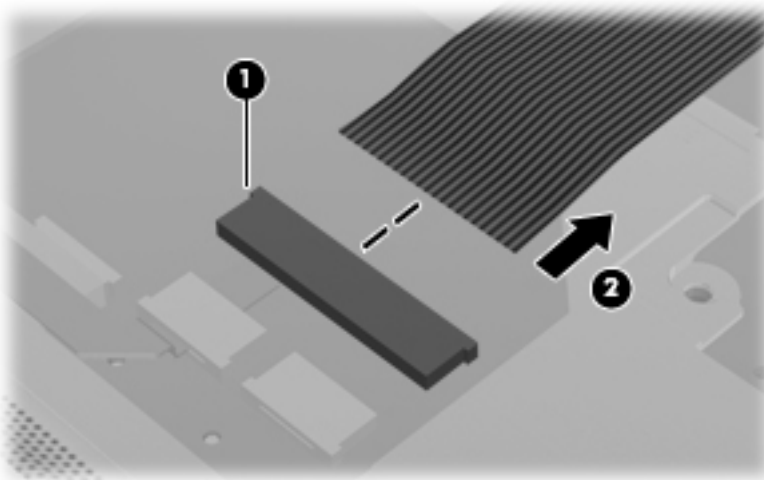


24. Turn the computer display-side up, with the front toward you.
25. Open the computer as far as possible.
26. Release the top edge of the keyboard by lifting it up to disengage the keyboard from the tabs on the switch cover.
27. Lift the top edge of the keyboard until it rests at an angle (1).

28. Lift the keyboard (2) up until the tabs on the bottom of the keyboard are clear of the switch cover.

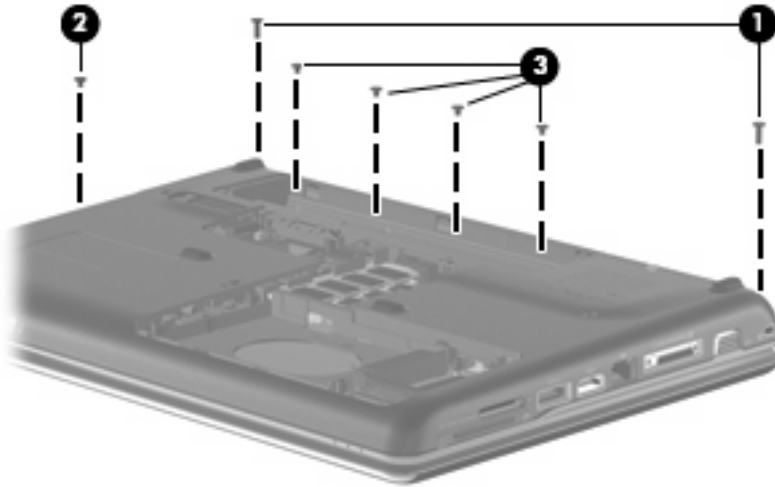


29. Release the zero insertion force (ZIF) connector (1) to which the keyboard cable is attached and disconnect the keyboard cable (2) from the system board.

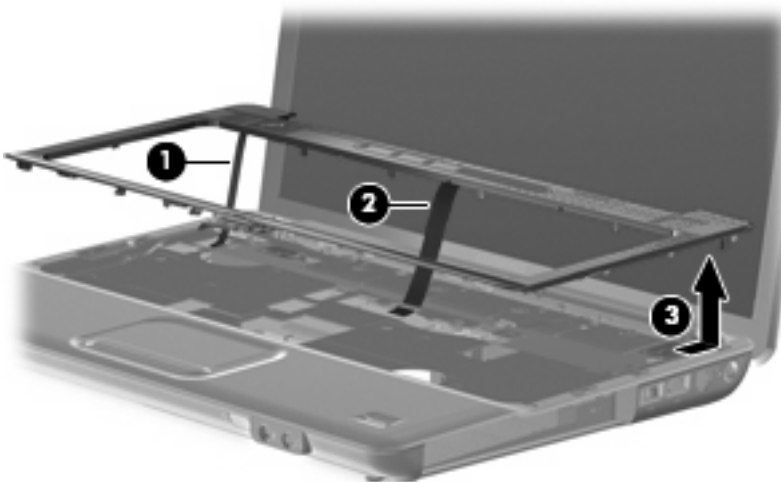


30. Turn the computer upside down, with the rear toward you.

31. Remove the two Phillips PM2.5×10.0 screws (1), the Phillips PM2.0x2.0 broad head screw (2) from the optical drive bay, and the four Phillips PM2.0x4.0 screws (3) from the battery bay that secure the switch cover to the computer.

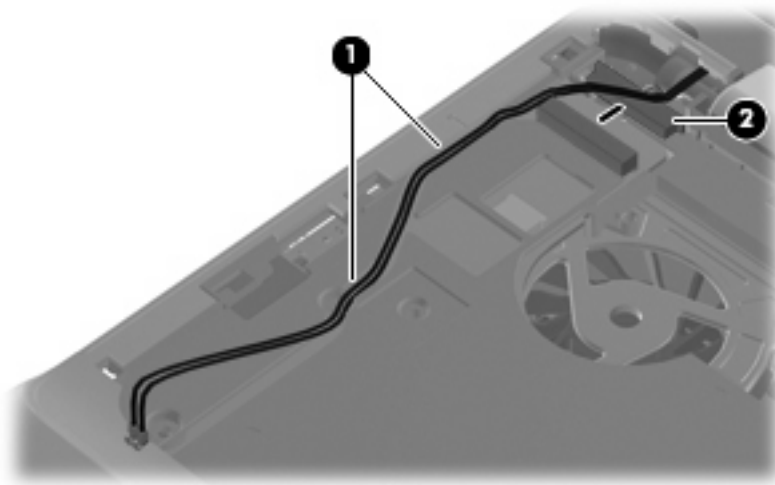


32. Turn the computer display-side up, with the front toward you.
33. Open the computer as far as possible.
34. Release the ZIF connector to which the power button board cable (1) is connected and disconnect the cable from the system board.
35. Release the ZIF connector to which the volume board cable (2) is connected and disconnect the cable from the system board.
36. Lift the front edge of the switch cover to disengage it from the computer, pull the switch cover toward the display until the light pipe on the front of the switch cover clears the top cover, and then lift the cover up and out of the computer (3).



37. Turn the computer display-side up, with the front toward you.
38. Open the display as far as possible.

39. Remove the wireless antenna cables (1) from the hole in the system board and the routing channels built into the top cover.
40. Disconnect the display panel cable (2).



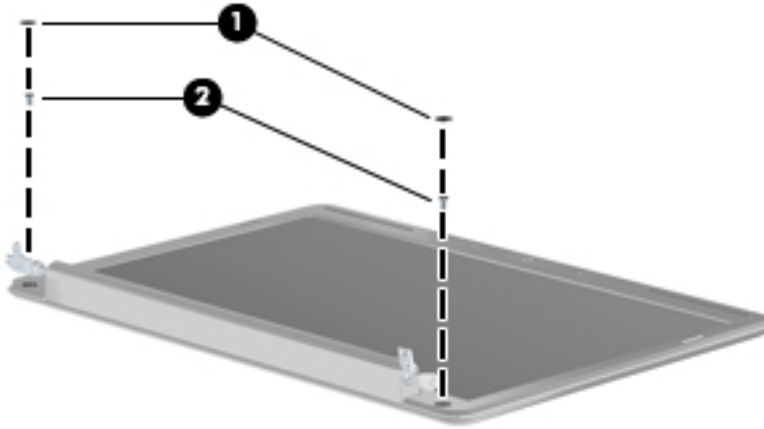
△ **CAUTION:** Support the display assembly when removing the following screws. Failure to support the display assembly can result in damage to the display assembly and other computer components.

41. Remove the four black Phillips PM2.5×6.0 screws (1) that secure the display assembly to the computer.
42. Remove the display assembly (2).

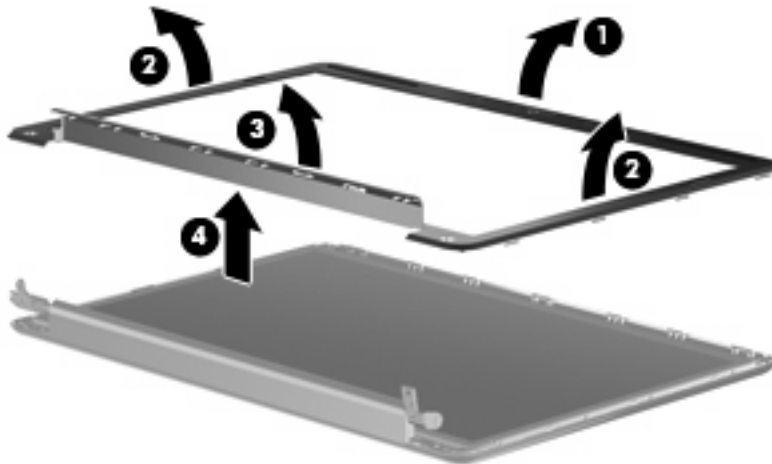


43. If it is necessary to replace any of the display assembly internal components, remove the following screw covers and screws. The display rubber screw covers are included in the Rubber Display Kit, spare part number 486731-001.

- (1) Two rubber screw covers on the display bezel bottom edge
(2) Two Phillips PM2.5×6.0 screws

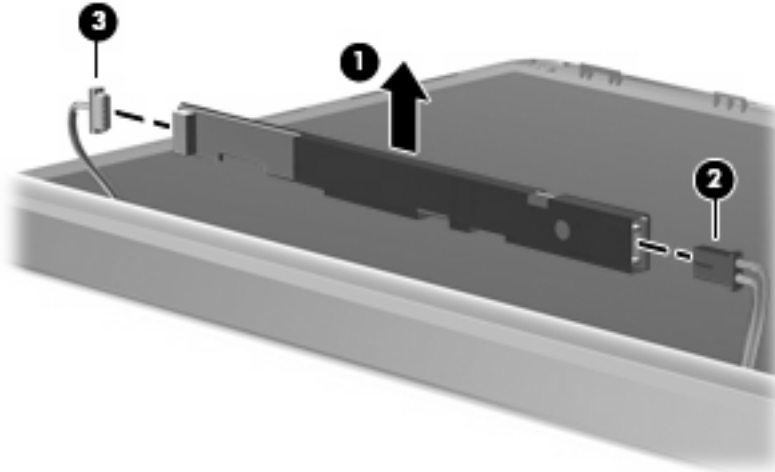


44. Flex the top side (1), the left and right sides (2), and the bottom (3) of the display bezel until the bezel disengages from the display enclosure.
45. Remove the display bezel (4). The display bezel is available using spare part number 486733-001 for computers with a camera module, 486739-001 for computers without camera module.

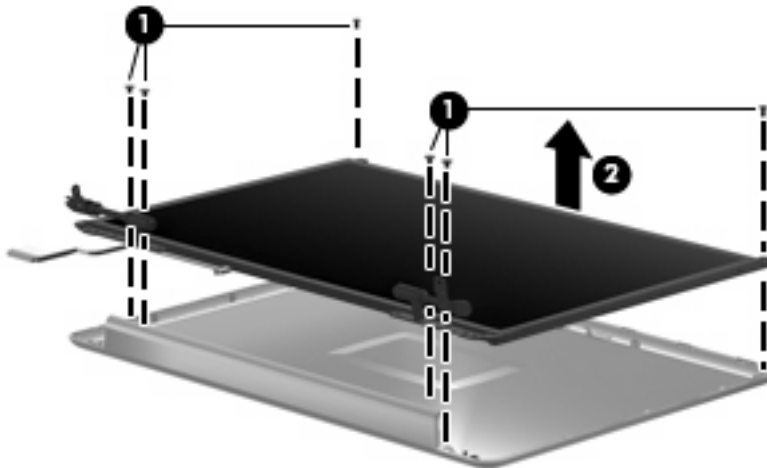


46. If it is necessary to replace the inverter, release the inverter (1) from the clips in the display enclosure as far as the display panel cable and the backlight cable will allow.

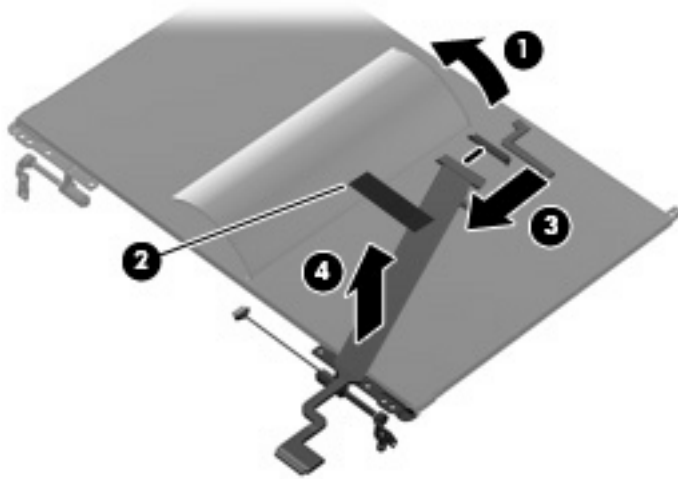
47. Disconnect the display panel cable (2) and the backlight cable (3) from the display inverter. The display inverter is available using spare part number 486736-001.



48. Remove the inverter.
49. If it is necessary to replace the display panel, remove the six black Phillips PM2.5×5.0 screws (1) that secure the display panel to the display enclosure, and then lift the panel from the enclosure (2). The display panel is available using the spare part number 483261-001 for computers with Intel processors, 497182-001 for computers with AMD processors.

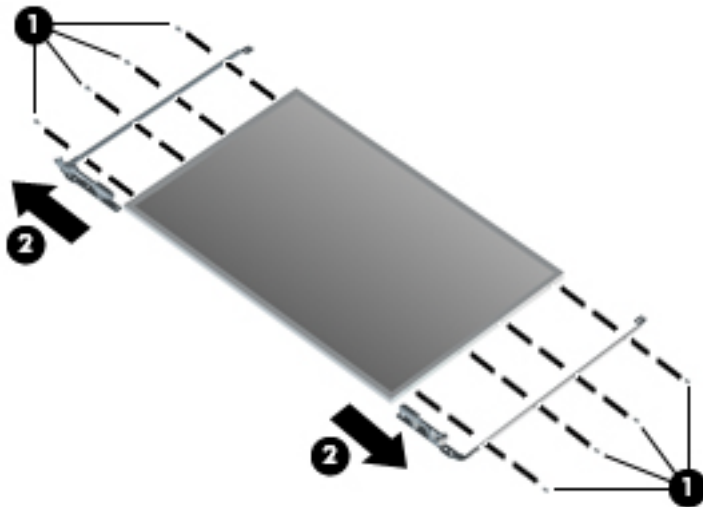


50. If it is necessary to replace the display cable, follow these steps:
- Peel back the plastic that covers the cable (1).
 - Remove the tape that secures the cable to the display (2).
 - Unplug the cable from the display (3).
 - Remove the cable from the display (4).



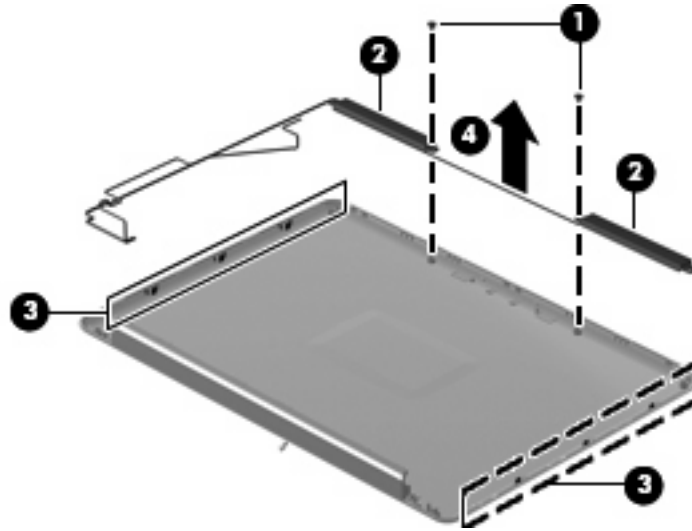
The display cable is available using spare part number 486735-001.

51. If it is necessary to replace the display hinges, remove the four silver Phillips PM2.0×3.0 screws (1) that secure each hinge to the display.
52. Remove the display hinges (2) from the display. The display hinges are available using spare part number 486737-001.



53. If it is necessary to replace the wireless antenna transceivers and cables, remove the Phillips PM2.5×4.0 screw (1) that secures each transceiver to the display enclosure.
54. Detach the wireless antenna transceivers (2) from the display enclosure.
55. Remove the wireless antenna cables from the clips (3) built into the display enclosure.

56. Remove the wireless antenna transceivers and cables (4) from the display enclosure. The wireless antenna transceivers and cables are included in the Wireless Antenna Kit, spare part number 489066-001.



Reverse this procedure to reassemble and install the display assembly.

2 Recycling

Display

- △ **WARNING!** The backlight contains mercury. Caution must be exercised when removing and handling the backlight to avoid damaging this component and causing exposure to the mercury.
- △ **CAUTION:** The procedures in this appendix can result in damage to display components. The only components intended for recycling purposes are the liquid crystal display (LCD) panel and the backlight. Careful handling must be exercised when removing these components.
- 📄 **NOTE: Materials Disposal.** This HP product contains mercury in the backlight in the display assembly that might require special handling at end-of-life. Disposal of mercury may be regulated because of environmental considerations. For disposal or recycling information, contact your local authorities, or see the Electronic Industries Alliance (EIA) Web site at <http://www.eiae.org>.

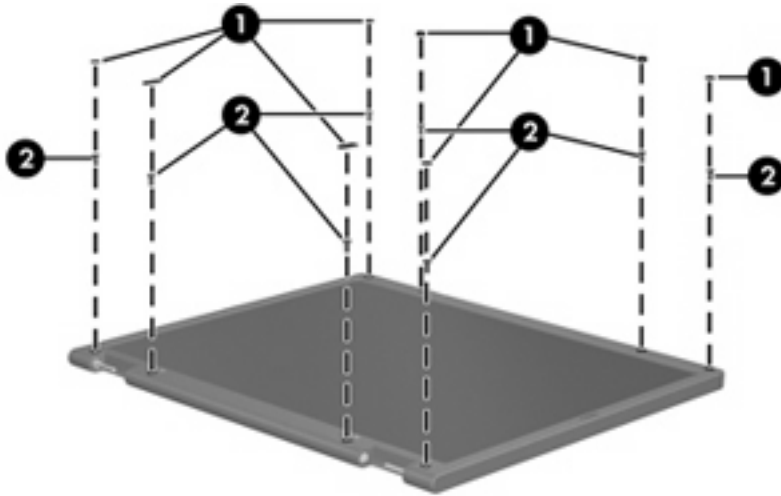
This section provides disassembly instructions for the display assembly. The display assembly must be disassembled to gain access to the backlight **(1)** and the liquid crystal display (LCD) panel **(2)**.



- 📄 **NOTE:** The procedures provided in this appendix are general disassembly instructions. Specific details, such as screw sizes, quantities, and locations, and component shapes and sizes, can vary from one computer model to another.

Perform the following steps to disassemble the display assembly:

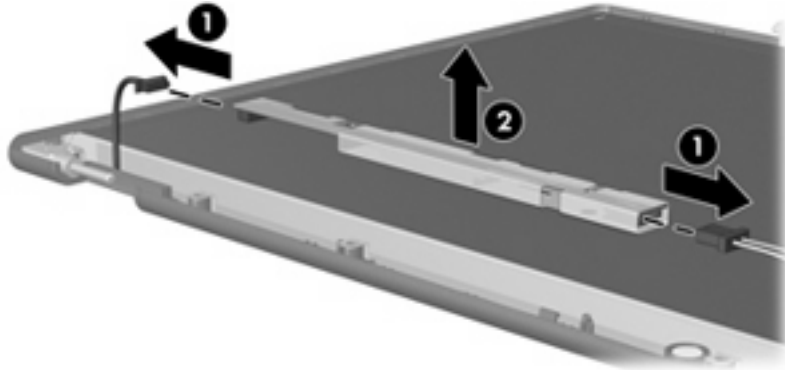
1. Remove all screw covers (1) and screws (2) that secure the display bezel to the display assembly.



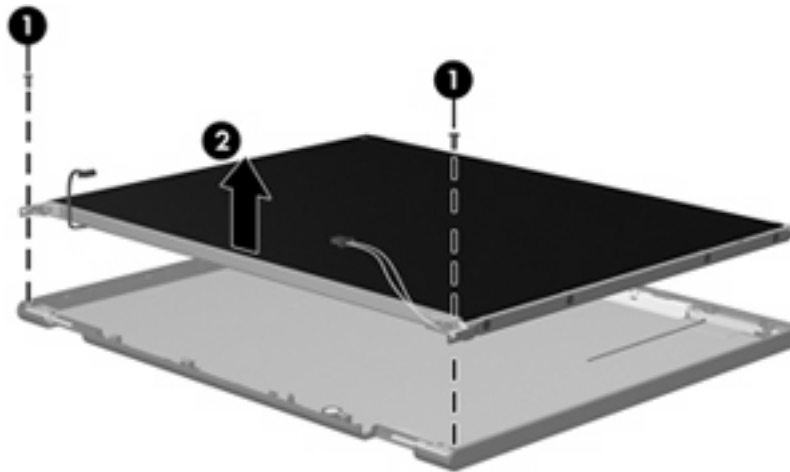
2. Lift up and out on the left and right inside edges (1) and the top and bottom inside edges (2) of the display bezel until the bezel disengages from the display assembly.
3. Remove the display bezel (3).



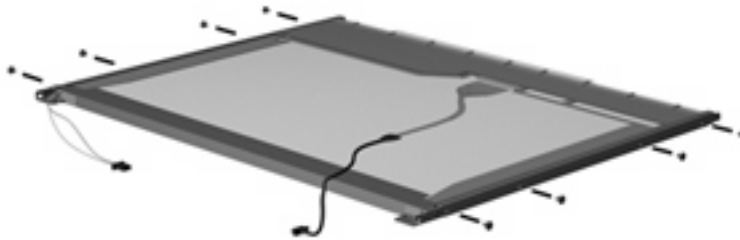
4. Disconnect all display panel cables (1) from the display inverter and remove the inverter (2).



5. Remove all screws (1) that secure the display panel assembly to the display enclosure.
6. Remove the display panel assembly (2) from the display enclosure.

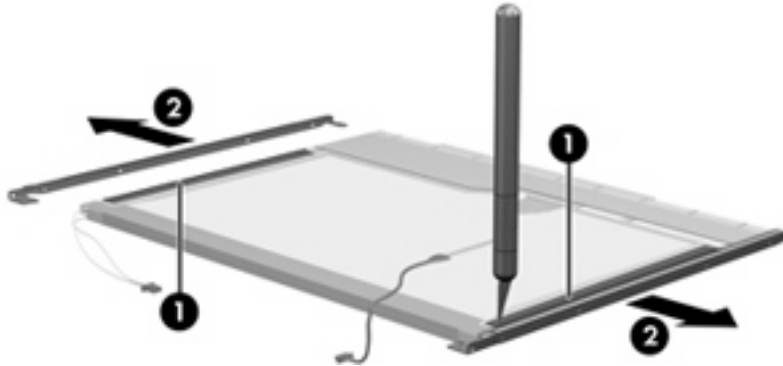


7. Turn the display panel assembly upside down.
8. Remove all screws that secure the display panel frame to the display panel.

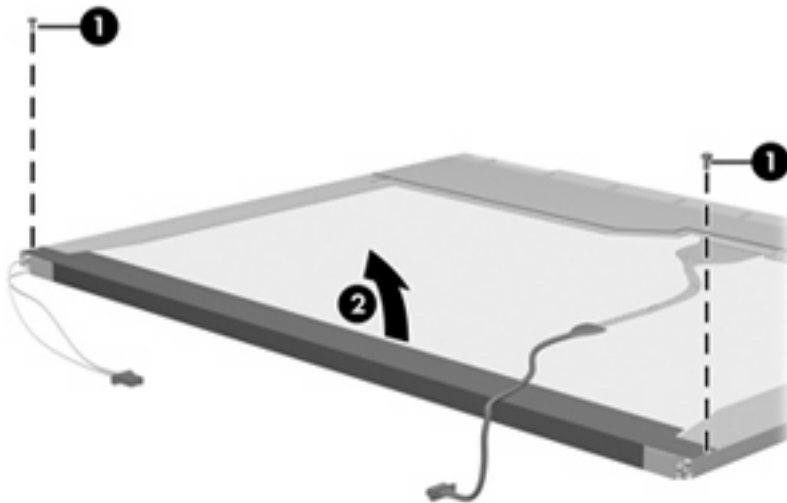


9. Use a sharp-edged tool to cut the tape (1) that secures the sides of the display panel to the display panel frame.

10. Remove the display panel frame (2) from the display panel.

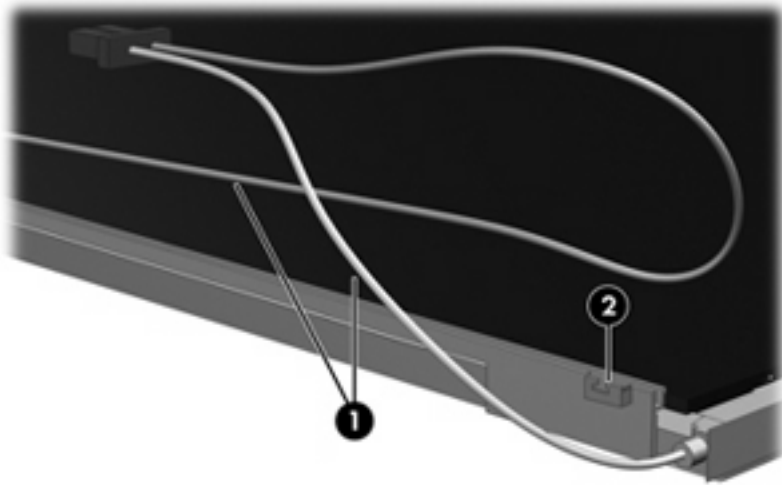


11. Remove the screws (1) that secure the backlight cover to the display panel.
12. Lift the top edge of the backlight cover (2) and swing it outward.

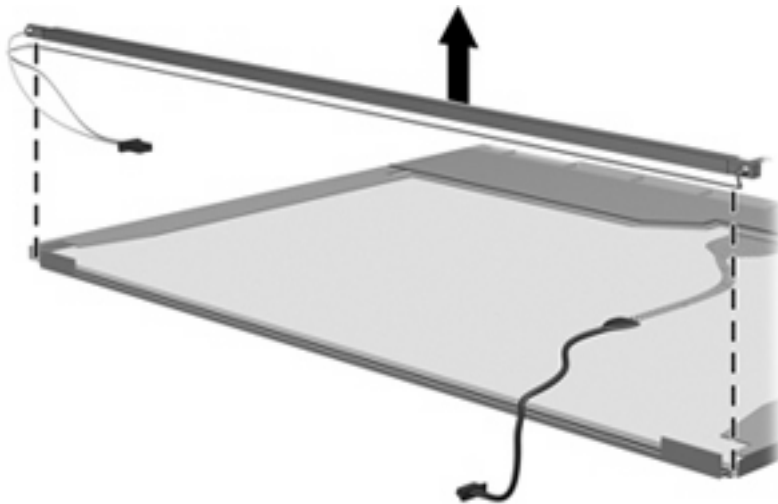


13. Remove the backlight cover.
14. Turn the display panel right-side up.

15. Remove the backlight cables (1) from the clip (2) in the display panel.

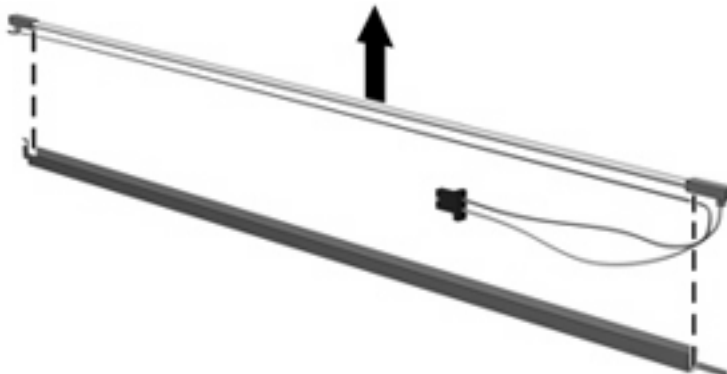


16. Turn the display panel upside down.
17. Remove the backlight frame from the display panel.

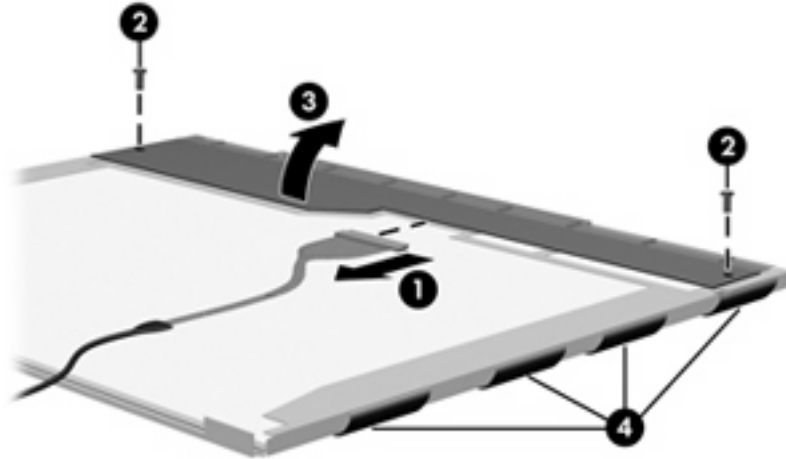


⚠ WARNING! The backlight contains mercury. Exercise caution when removing and handling the backlight to avoid damaging this component and causing exposure to the mercury.

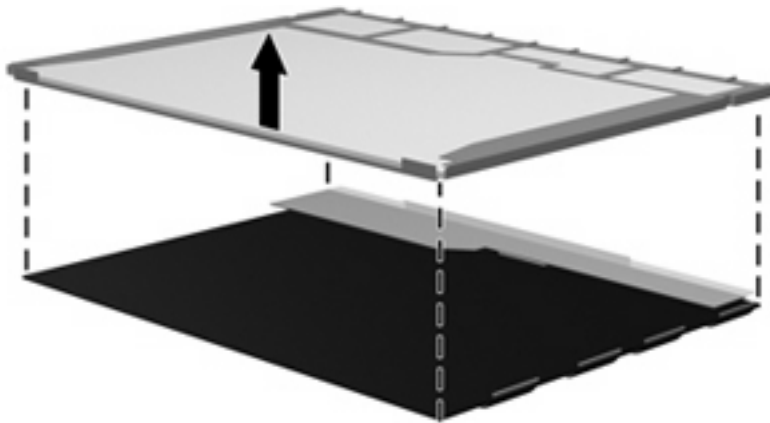
18. Remove the backlight from the backlight frame.



19. Disconnect the display cable (1) from the LCD panel.
20. Remove the screws (2) that secure the LCD panel to the display rear panel.
21. Release the LCD panel (3) from the display rear panel.
22. Release the tape (4) that secures the LCD panel to the display rear panel.



23. Remove the LCD panel.



24. Recycle the LCD panel and backlight.

Index

A

antenna
removal 14
spare part number 15

B

battery
removal 5
spare part numbers 5
bezel
spare part number 12

C

cables, service considerations 3
connectors, service considerations 3

D

diskette drive
precautions 3
display bezel
spare part number 12
display components
recycling 17
display hinge
removal 14
spare part number 14
display panel
removal 13
spare part number 13
drives
preventing damage 3
DVD/CD-RW Combo Drive
precautions 3
DVD±RW and CD-RW Combo Drive
precautions 3

E

electrostatic discharge 4

H

hard drive
precautions 3
hinge
removal 14
spare part number 14

I

inverter
removal 12
spare part number 13

O

optical drive
precautions 3

P

plastic parts 2

R

removal/replacement
preliminaries 2
procedures 5
RTC battery compartment cover
removal 7

S

service considerations 2

T

tools required 2

W

wireless antenna
removal 14
spare part number 15
Wireless Antenna Kit, spare part number 15

Вы скачали этот файл с сайта «Сайт радиолюбителей»



Другие разделы сайта

Раздел БИБЛИОТЕКА

Книги для и журналы радиолюбителям

<http://radio-uchebnik.ru/library/>

Раздел РАДИОСХЕМЫ

Различные схемы как для начинающих так и для профессионалов:

Схемы бытовой техники, телевизоров, мониторов, автомагнитол, музыкальных центров, и для самостоятельной сборки

<http://radio-uchebnik.ru/shem/>

Раздел ФАЙЛОВОЕ ХРАНИЛИЩЕ

Различные файлы: Даташиты, схемы, прошивки и так далее

<http://radio-uchebnik.ru/downfiles/>

Раздел РАДИОКОМПАС

Если Вы занимаетесь ремонтом электроники на профессиональном уровне- то Вы можете сообщить о себе.

<http://radio-uchebnik.ru/radiomap/>

Раздел ДОСКА ОБЪЯВЛЕНИЙ

Здесь Вы можете разместить бесплатное объявление сроком до 120 дней (только радиотематика!!)

<http://radio-uchebnik.ru/ads/>

Раздел СПРАВОЧНИК ПО МИКРОСХЕМАМ

Справочные данные на микросхемы импортного и отечественного производства

<http://radio-uchebnik.ru/microbase/>

Раздел СТАТЬИ

Различные статьи радиолюбительской (и не только) тематики: секреты телемастера, практическая электроника, альтернативная энергия, расчеты по электронике, электронные устройства и так далее

<http://radio-uchebnik.ru/txt/>

ФОРУМ НАШЕГО САЙТА

<http://radio-uchebnik.ru/forum/>