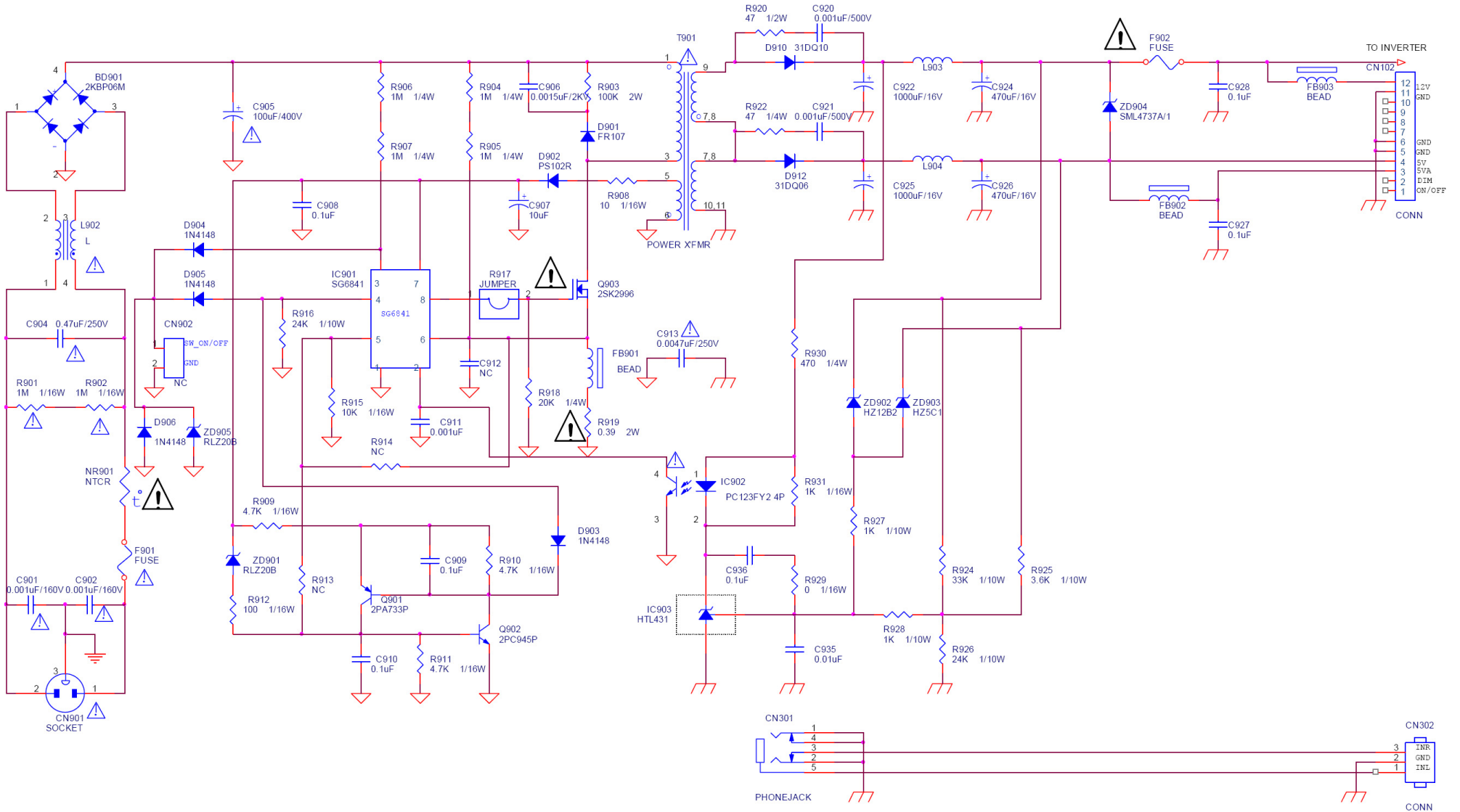


Power board (adapter + inverter)



<Title>

POWER		
Size B	Document Number	Rev 1
Date: Friday, October 29, 2004	Sheet 1 of 3	

