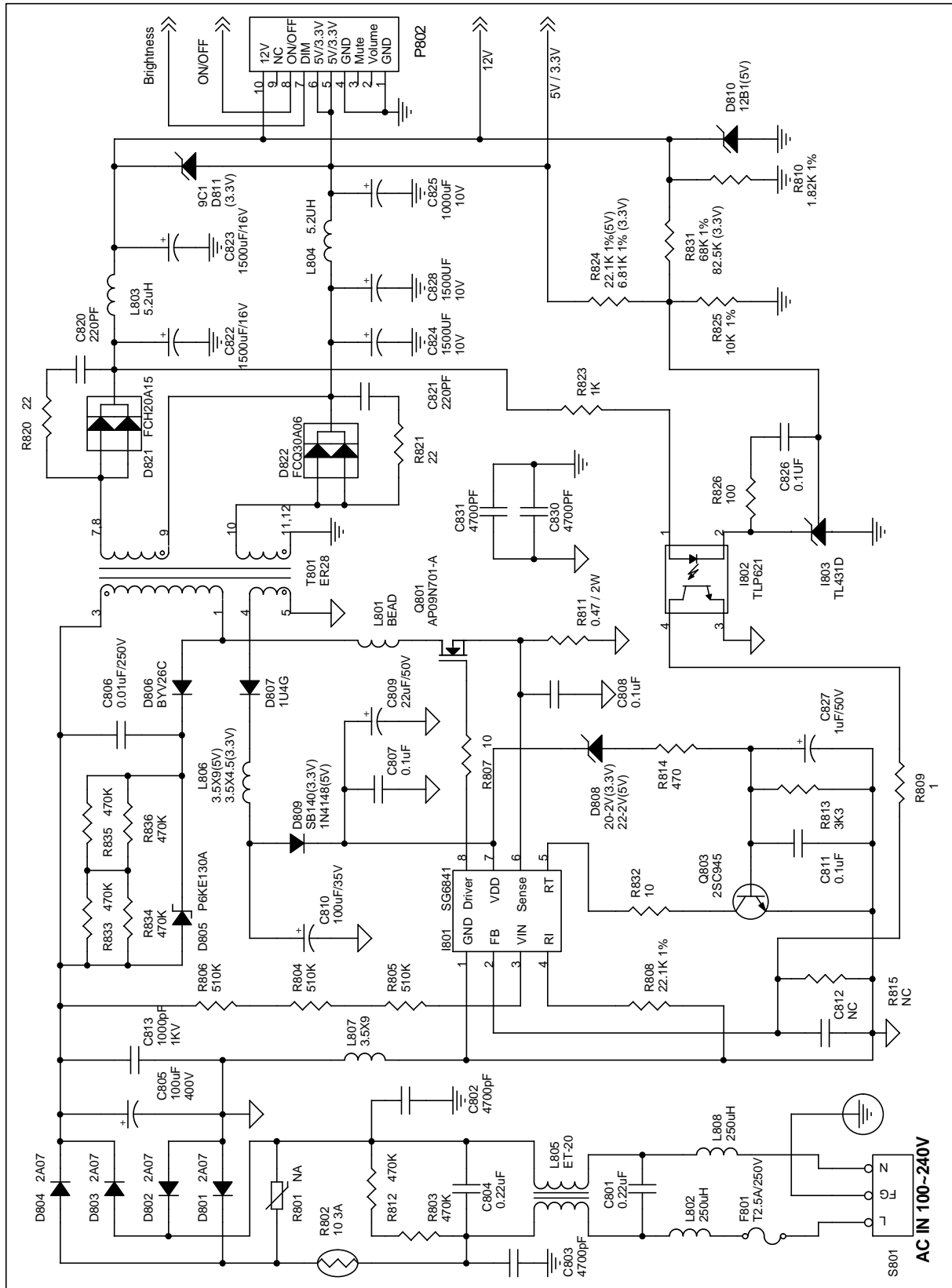


AL1701 Inverter



AL1701 A/D-power