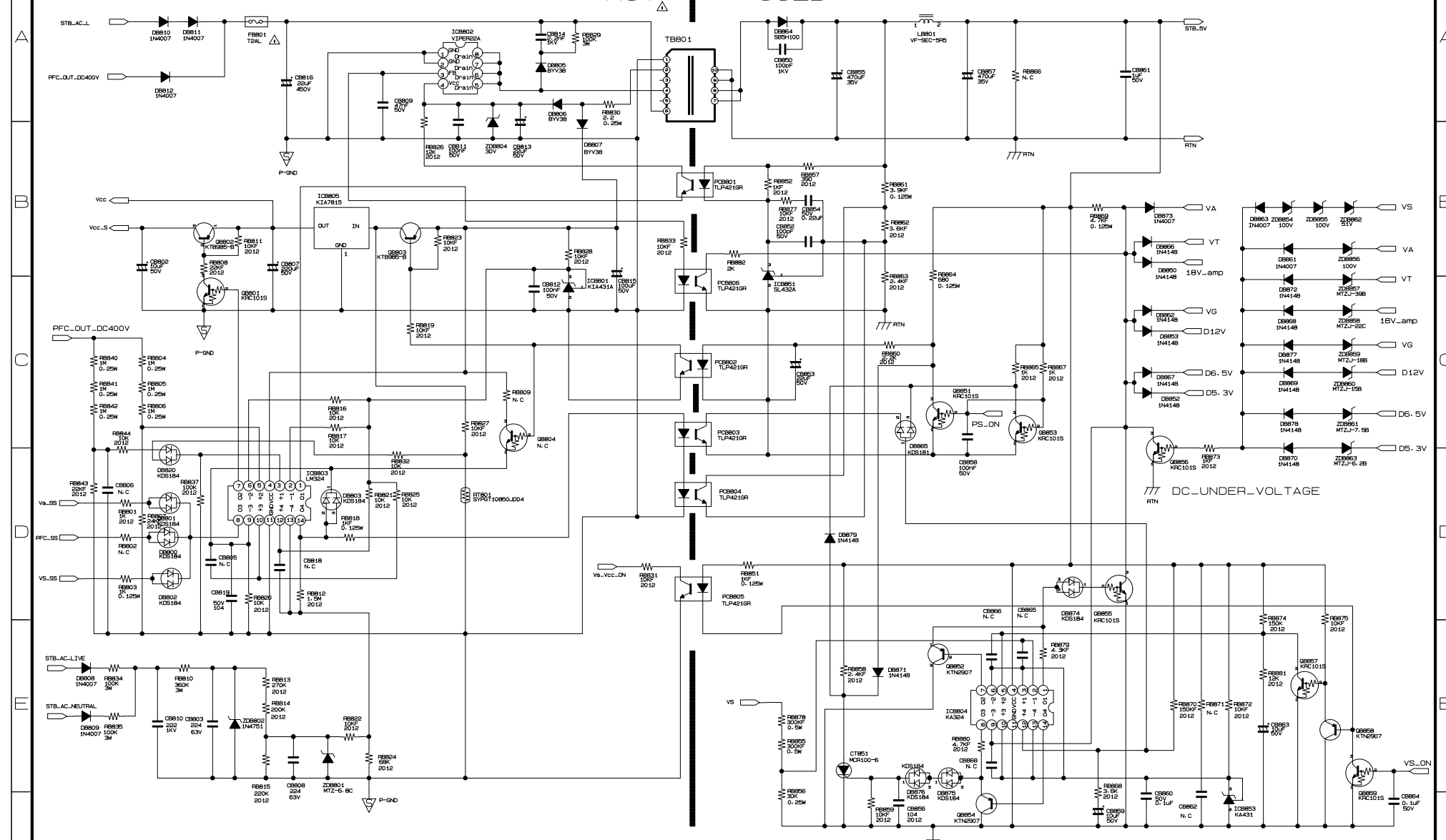


NOTE

		USER SAMSUNG ELECTRONICS. CO. LTD	DATE 06/03/28
MODEL NAME V5 - SEC	SCALE A3	DRAWN Y. M. K	
PDM NUMBER	REVISION 1. 1	CHECKED R. D. G	
	LEVEL	APPROVED L. J. H	

[STAND-BY SECTION]

HOT COLD

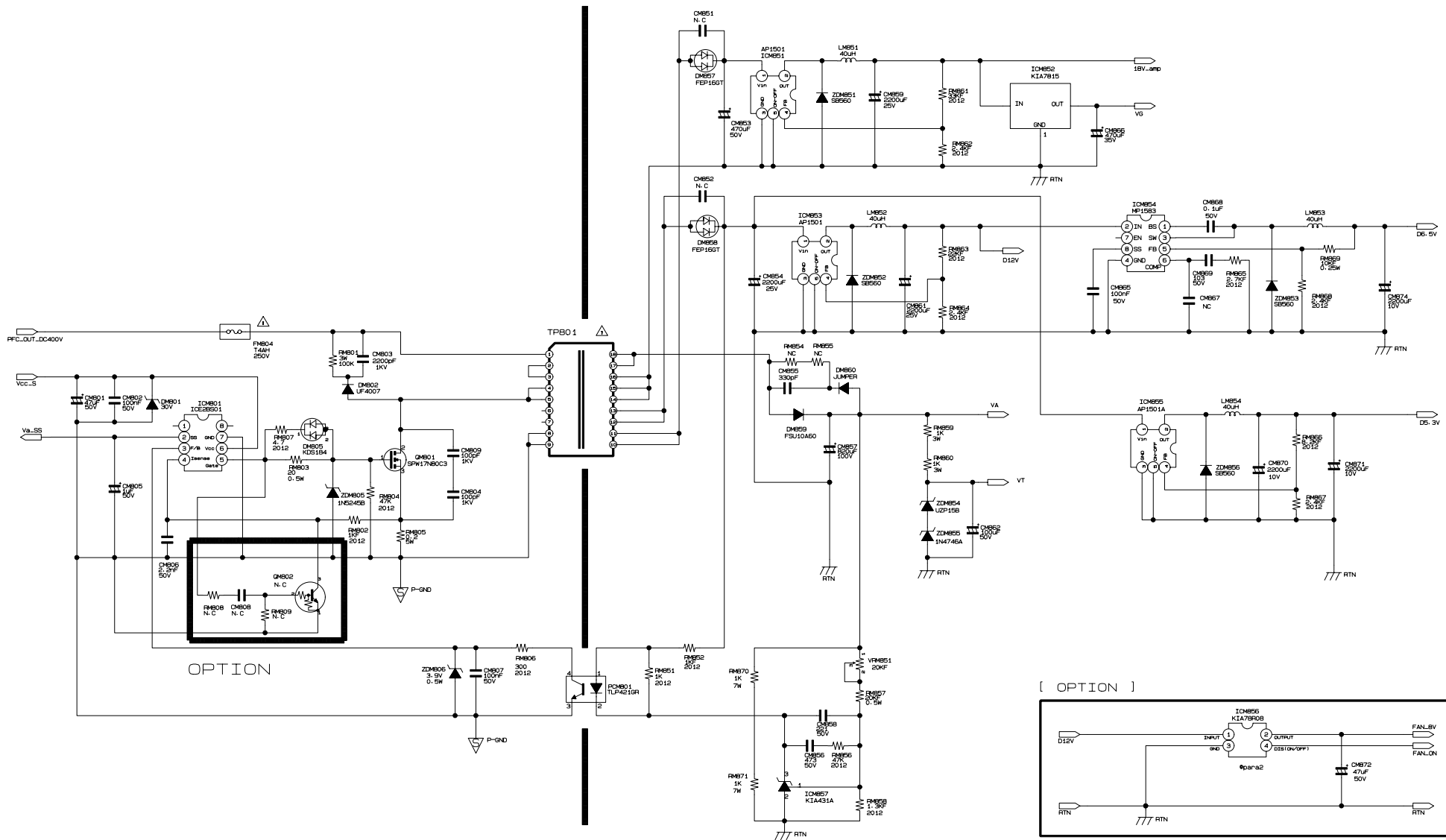


NOTE

USER SAMSUNG ELECTRONICS. CO. LTD		DATE 06/03/28	
MODEL NAME V5 - SEC	SCALE A3	DRAWN Y. M. K	
PDM NUMBER	REVISION 1. 1	CHECKED R. D. G	
	LEVEL	APPROVED L. J. H	

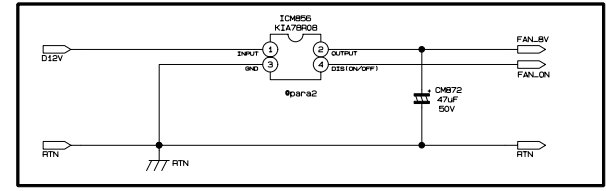
[VX SECTION]

HOT COLD



OPTION

[OPTION]



NOTE



USER	SAMSUNG ELECTRONICS. CO. LTD	DATE	06/03/28
MODEL NAME	V5 - SEC	SCALE	A3
FORM NUMBER		REVISION	1.1
		LEVEL	APPROVED
			L. J. H

A

B

C

D

E

F

A

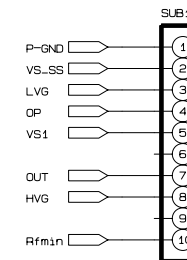
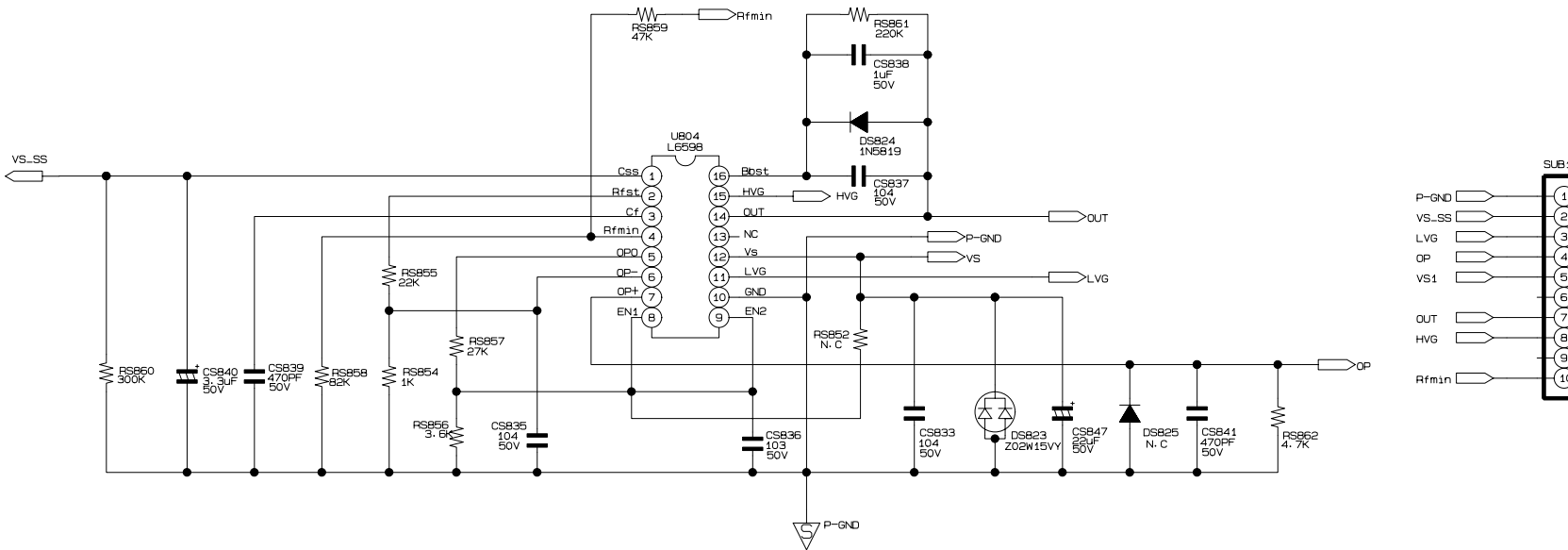
B

C

D

E

F



NOTE



USER SAMSUNG ELECTRONICS. CO. LTD

DATE 06/02/15

MODEL NAME V5 SEC-VS SUB

SCALE A3

DRAWN Y. M. K

PDM NUMBER

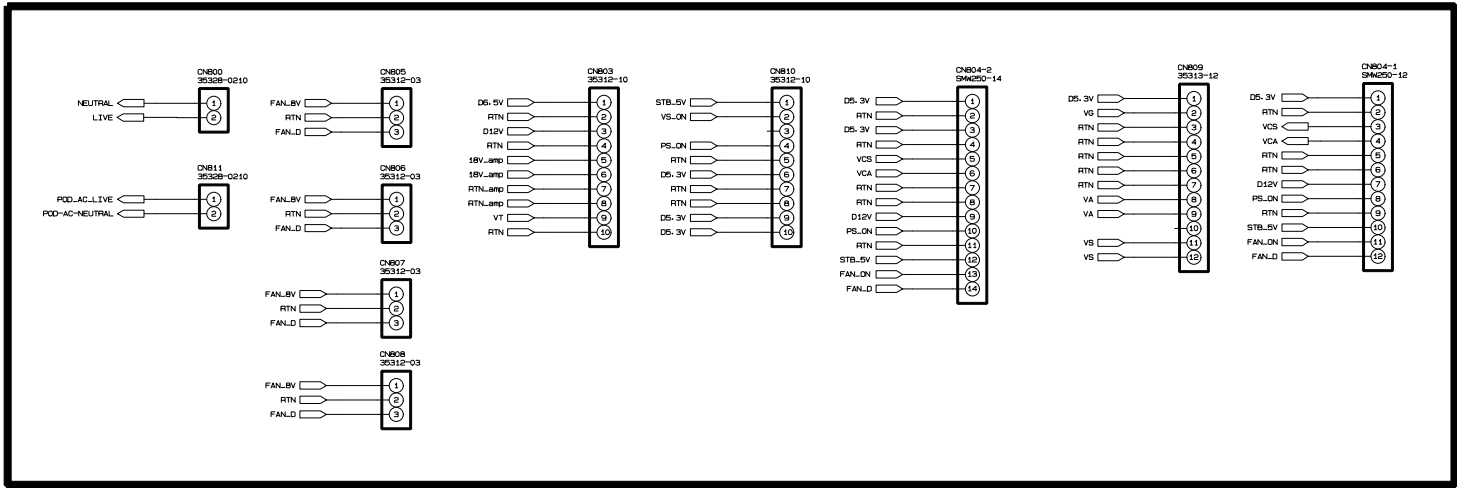
REVISION 1. 1

CHECKED R. D. G

LEVEL

APPROVED L. J. H

[CONNECTOR INFORMATION]



NOTE



USER SAMSUNG ELECTRONICS. CO. LTD		DATE 06/03/28	
MODEL NAME V5 - SEC	SCALE A3	DRAWN Y. M. K	
PCB NUMBER	REVISION 1. 1	CHECKED R. D. G	
	LEVEL	APPROVED L. J. H	