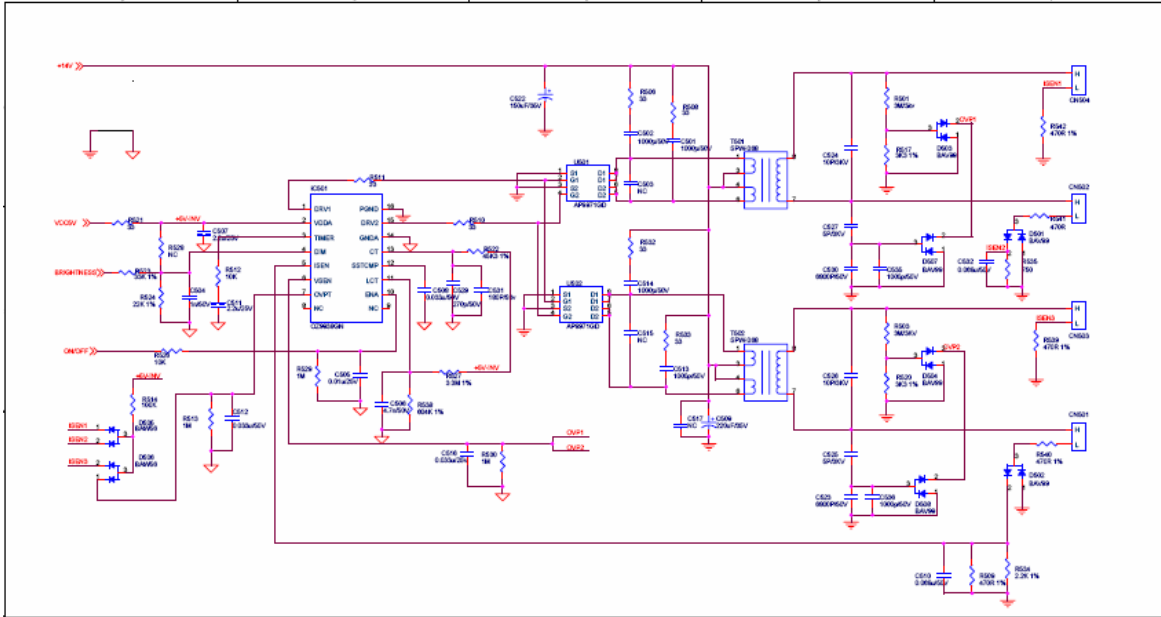
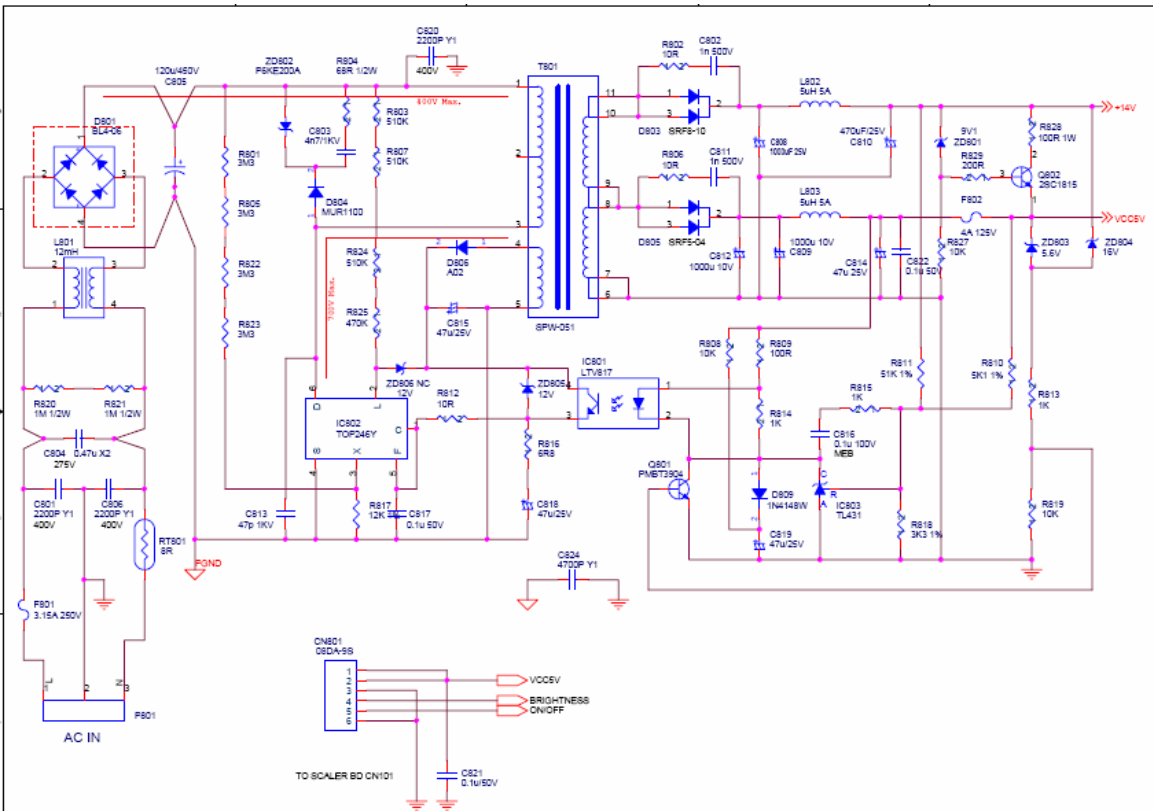


5. Inverter



6. Power



ILP1-032
REV-A
11/20

C525
C526

CH03
CH04

DANGER

W B 2 C R 3

J507
J508
J509



J510
J511
J512

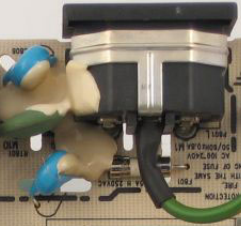
C527
C528

CH05
CH06

DANGER

CAUTION

FOR CONTACT PROTECTION
REPLACE WITH THE SAME PART
AC 100-240V
50/60Hz (M)



R101
R102
R103
R104
R105
R106
R107
R108
R109
R110
R111
R112
R113
R114
R115
R116
R117
R118
R119
R120
R121
R122
R123
R124
R125
R126
R127
R128
R129
R130
R131
R132
R133
R134
R135
R136
R137
R138
R139
R140
R141
R142
R143
R144
R145
R146
R147
R148
R149
R150
R151
R152
R153
R154
R155
R156
R157
R158
R159
R160
R161
R162
R163
R164
R165
R166
R167
R168
R169
R170
R171
R172
R173
R174
R175
R176
R177
R178
R179
R180
R181
R182
R183
R184
R185
R186
R187
R188
R189
R190
R191
R192
R193
R194
R195
R196
R197
R198
R199
R200

2

C522
C523
C524
C525

L502
L503
L504
L505
L506
L507
L508
L509
L510
L511
L512
L513
L514
L515
L516
L517
L518
L519
L520
L521
L522
L523
L524
L525
L526
L527
L528
L529
L530
L531
L532
L533
L534
L535
L536
L537
L538
L539
L540
L541
L542
L543
L544
L545
L546
L547
L548
L549
L550
L551
L552
L553
L554
L555
L556
L557
L558
L559
L560
L561
L562
L563
L564
L565
L566
L567
L568
L569
L570
L571
L572
L573
L574
L575
L576
L577
L578
L579
L580
L581
L582
L583
L584
L585
L586
L587
L588
L589
L590
L591
L592
L593
L594
L595
L596
L597
L598
L599
L600



79084140 R

ETC-2B
94V-0A9L
E131175 0002

100%
REWORK
NEEDS
SOLDER
ON
TOP
OF
PINS

LF