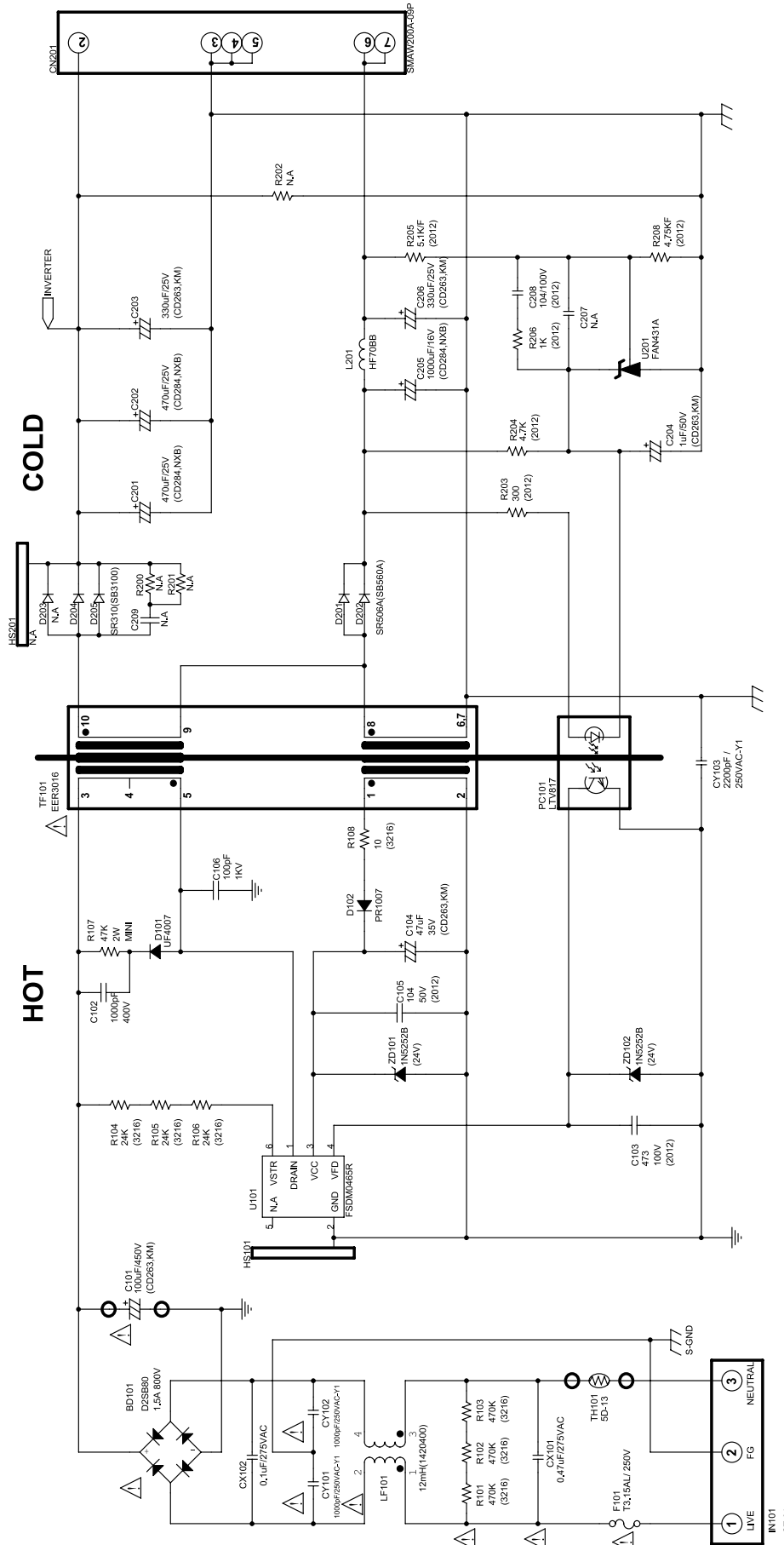


13-3 IP BOARD(Power) Schematic Diagrams



13-4 IP BOARD(Inverter) Schematic Diagrams

