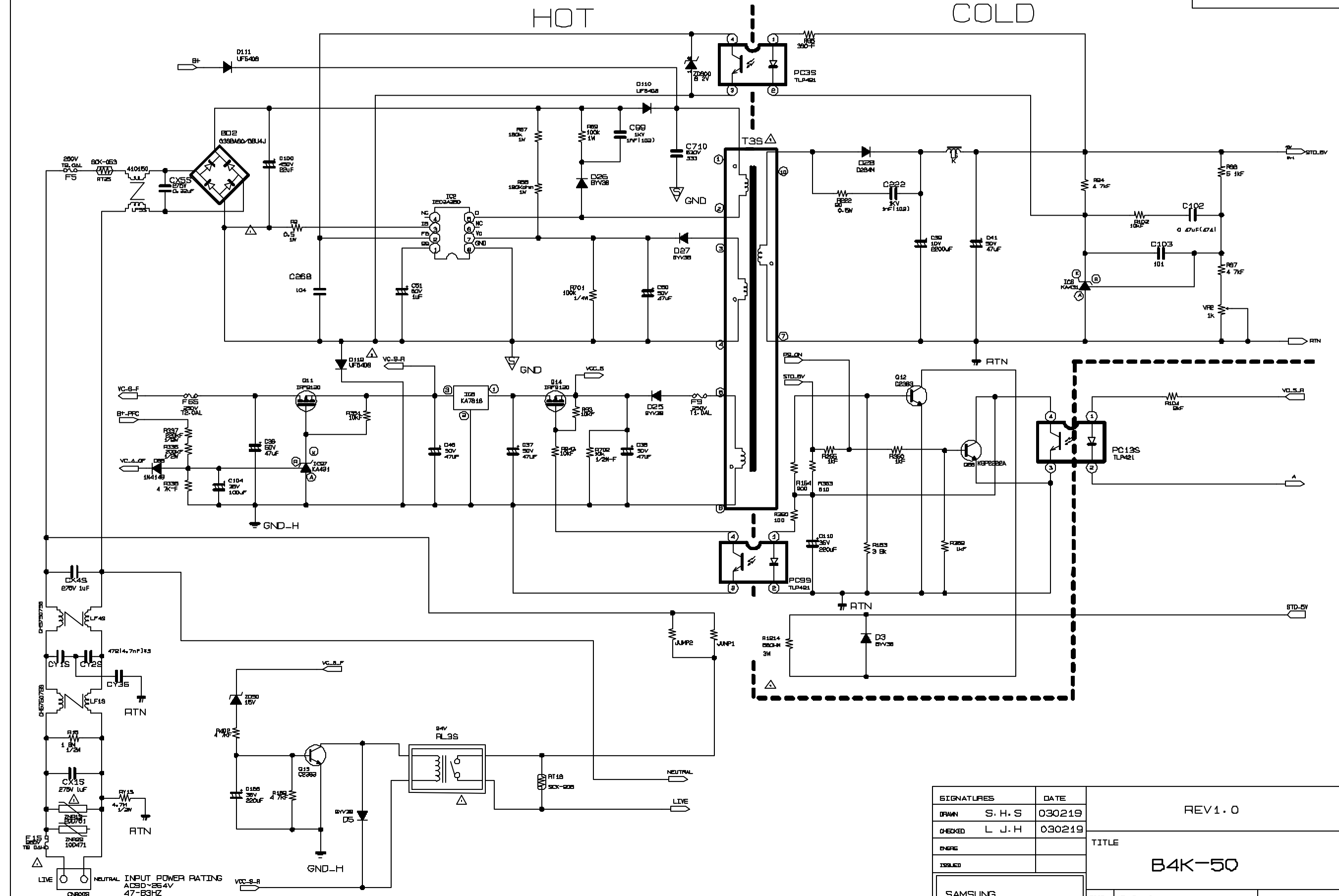
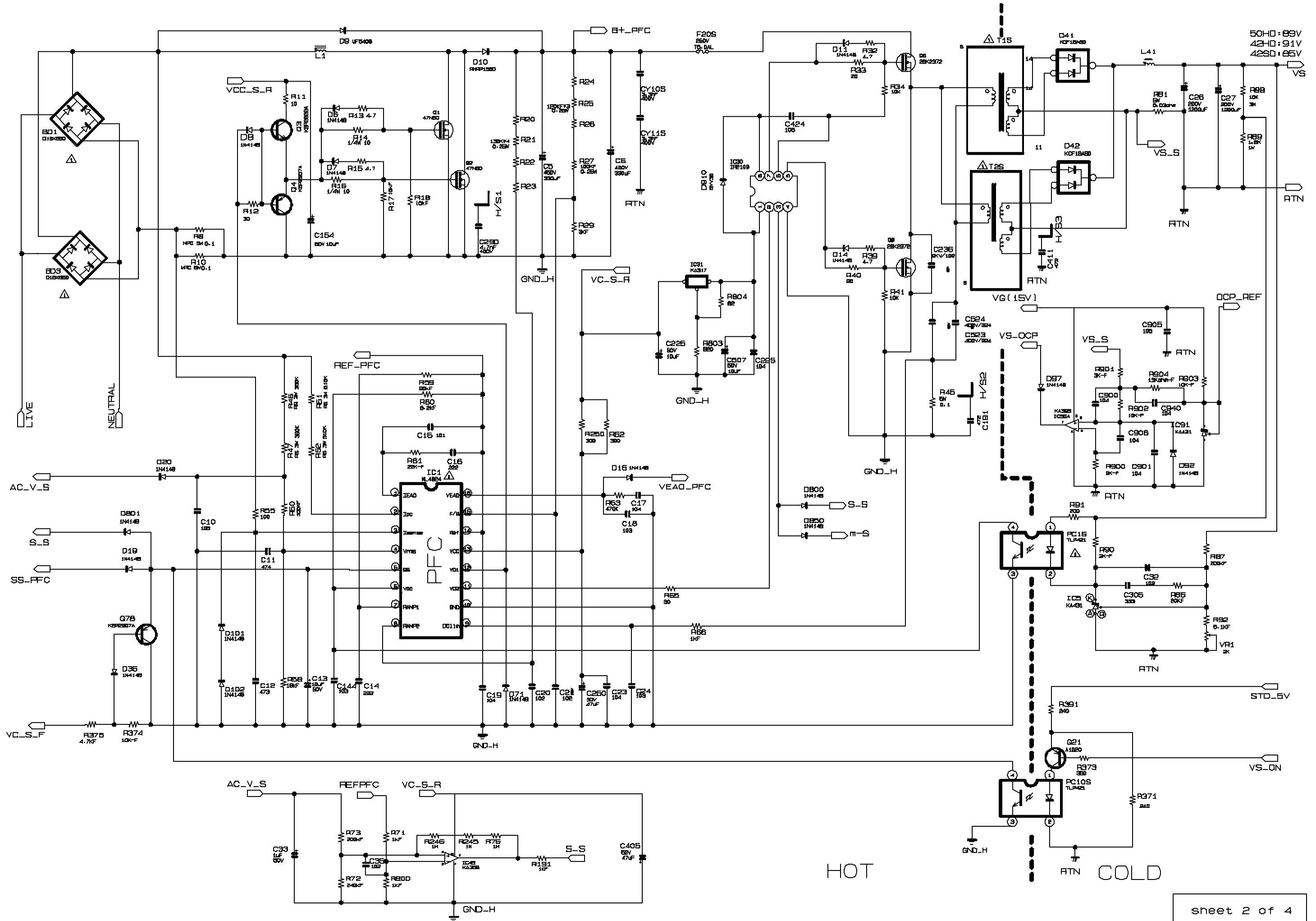


HOT

COLD



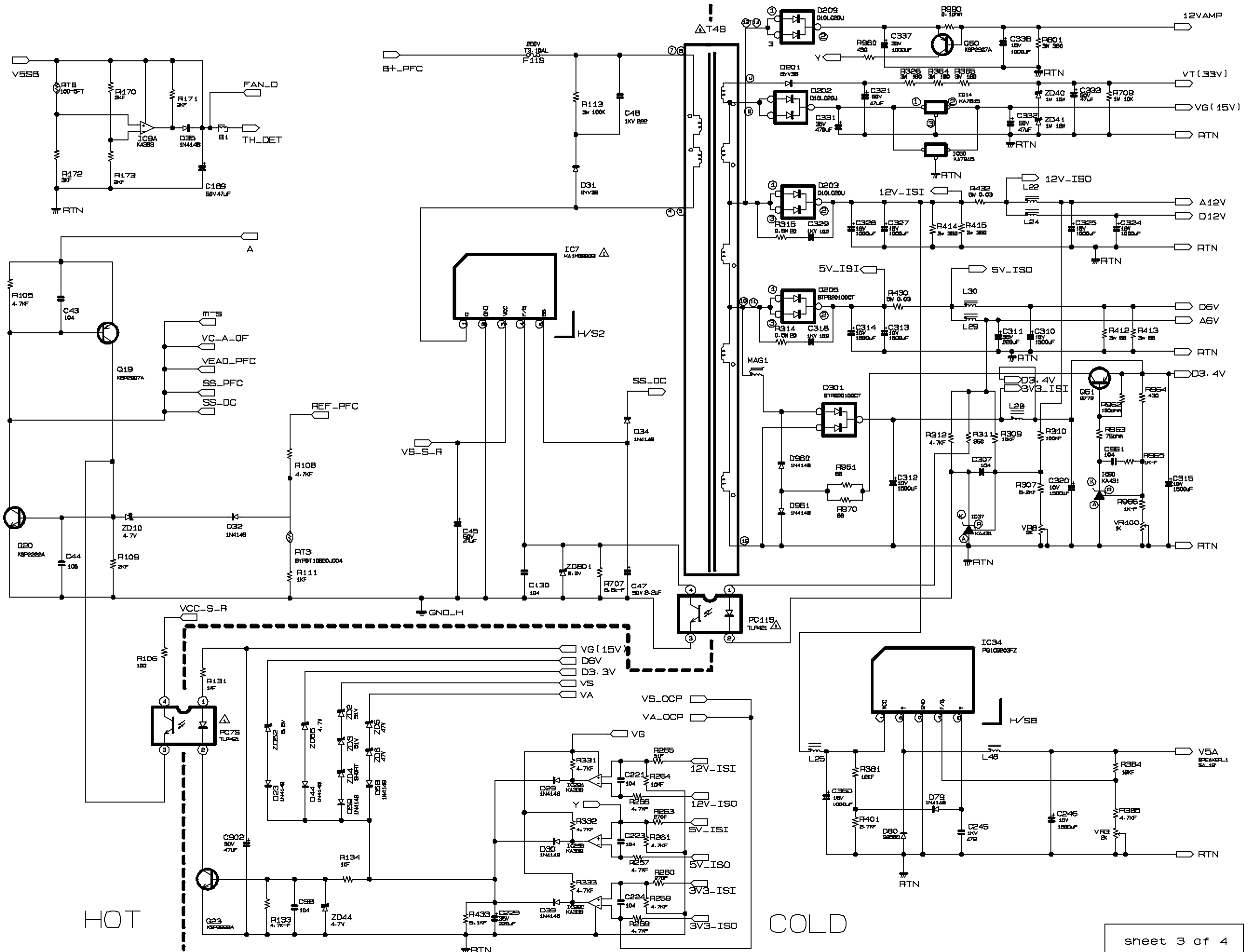
SIGNATURES		DATE	REV1.0	
DRAWN S. H. S		030219		
CHECKED L. J. H		030219	TITLE	
ENGINE			B4K-50	
ISSUED			SIZE	
SAMSUNG ELECTRO-MECHANICS			DWG NO.	
			SHEET 1 OF 4	



50HD: 89V  
 42HD: 91V  
 42SD: 85V

HOT

RTN COLD



HOT

COLD

