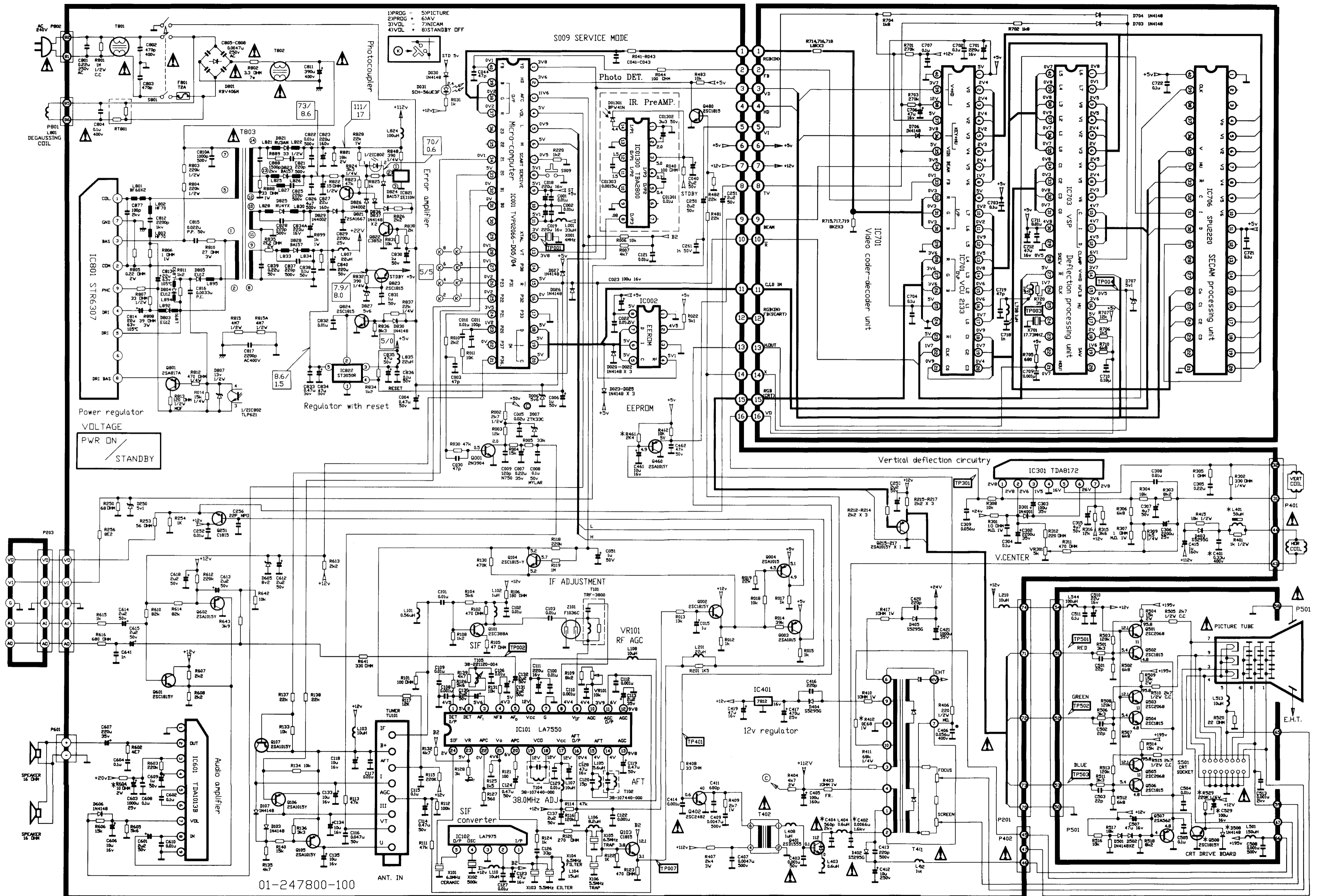
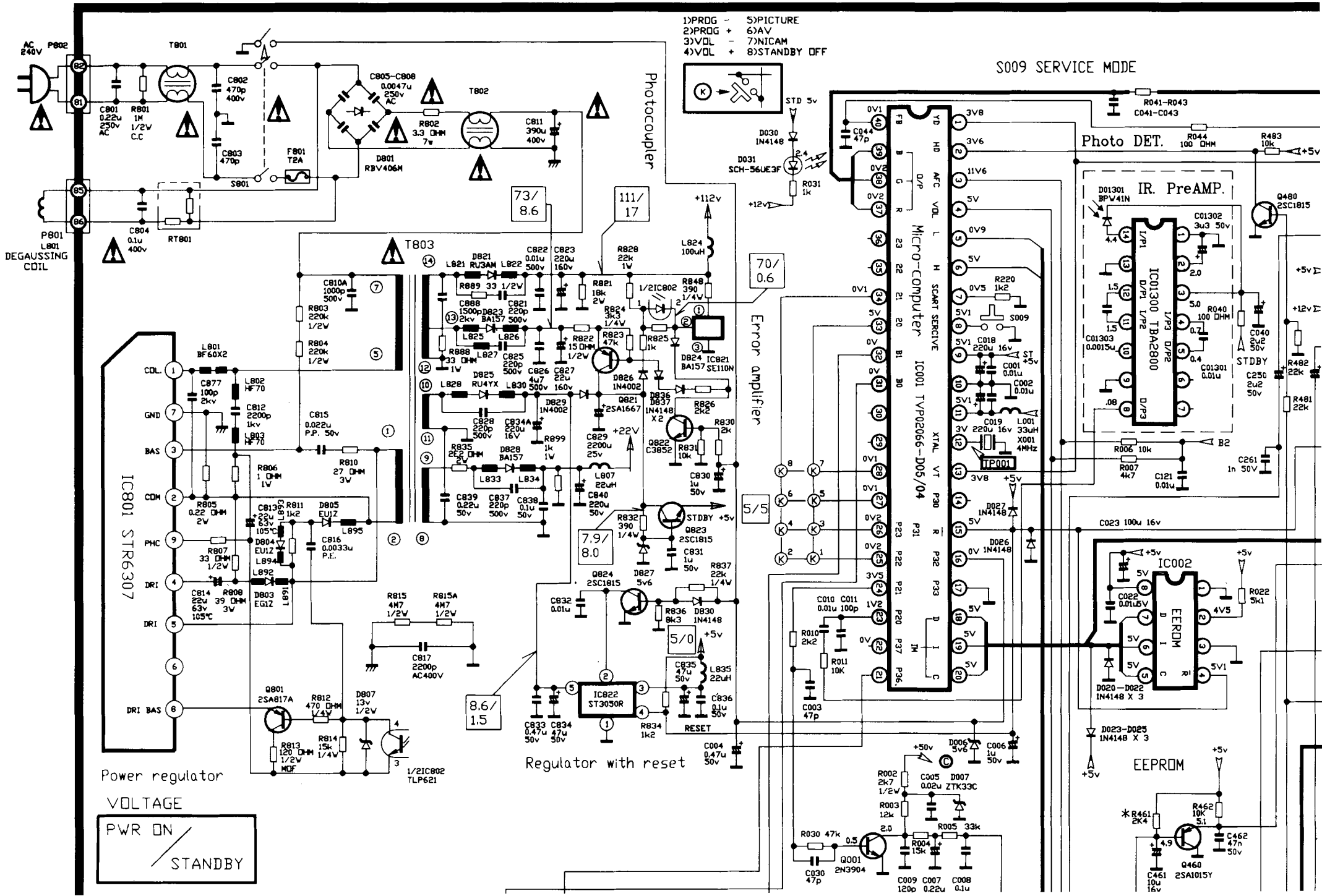


Schematic diagram of AIWA TV-1402, TV-2002, TV-2102 CTV





- 1)PROG -
- 2)PROG +
- 3)VOL -
- 4)VOL +
- 5)PICTURE
- 6)AV
- 7)NICAM
- 8)STANDBY OFF

S009 SERVICE MODE

Power regulator
VOLTAGE
PWR ON / STANDBY

EEPROM

Regulator with reset

Error amplifier

IR. PreAMP.

Micro-computer
IC001 TYR02066-D05/04

IC801 STR6307

IC01300 TBA2800

IC822 ST3030R

IC002 E2RM

Photocoupler

Photo DET.

DEGAUSSING COIL

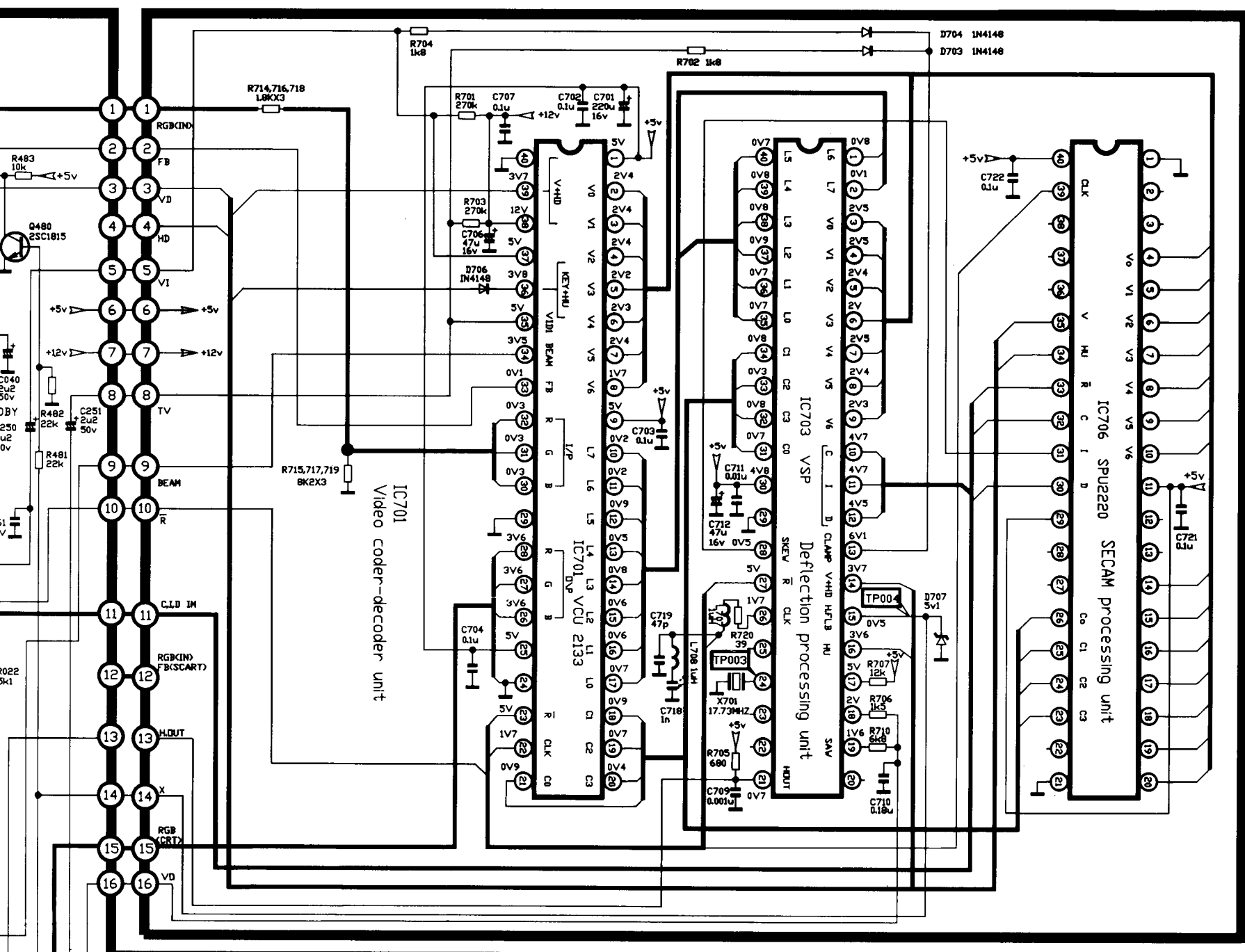
AC 240V

+5V
+12V

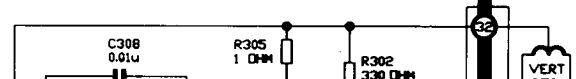
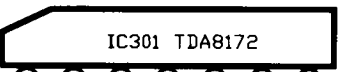
+5V
+12V

+5V

+5V



Vertical deflection circuitry



Power regulator

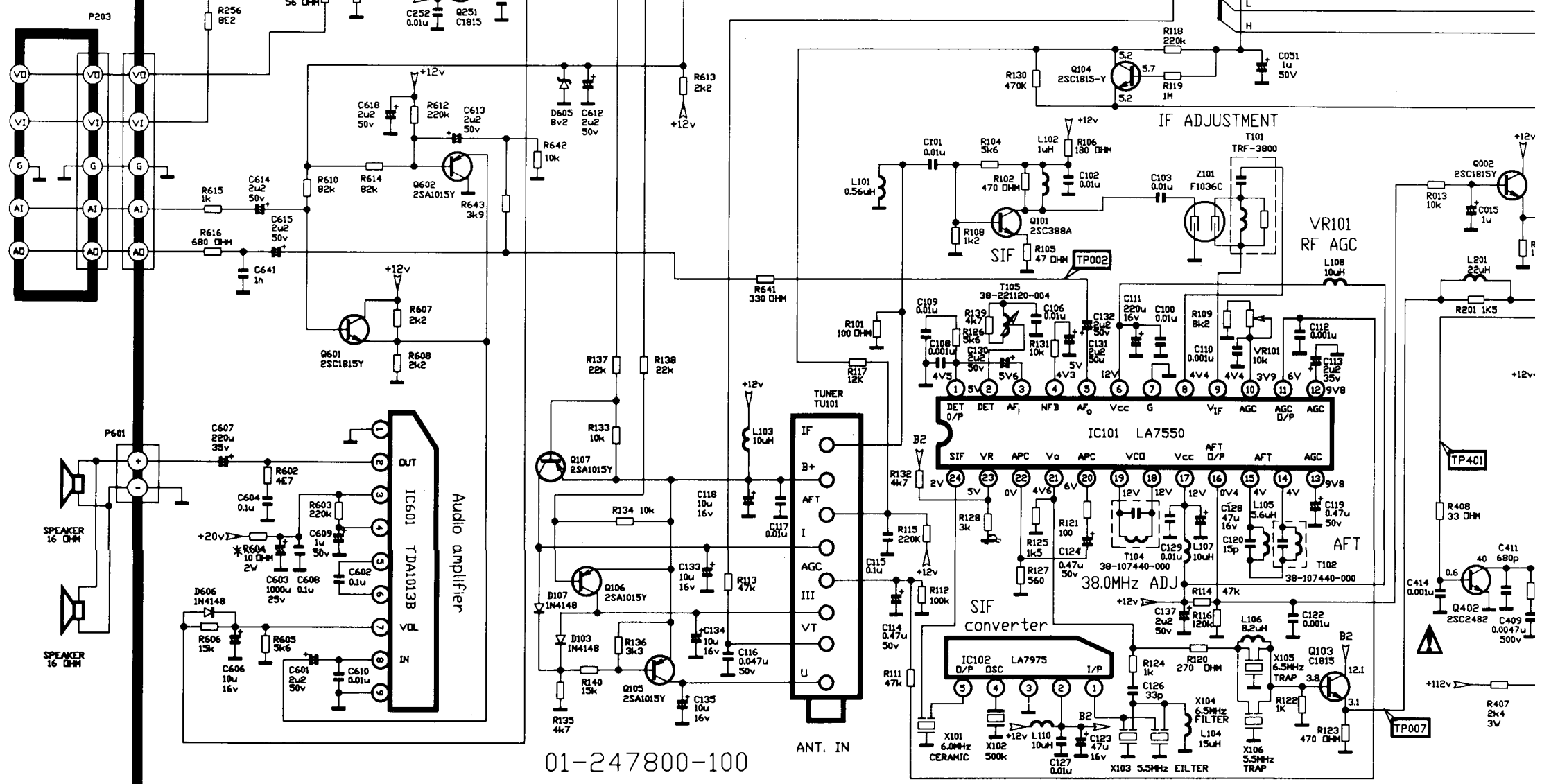
VOLTAGE

PWR ON

STANDBY

Regulator with

EEPROM



01-247800-100

