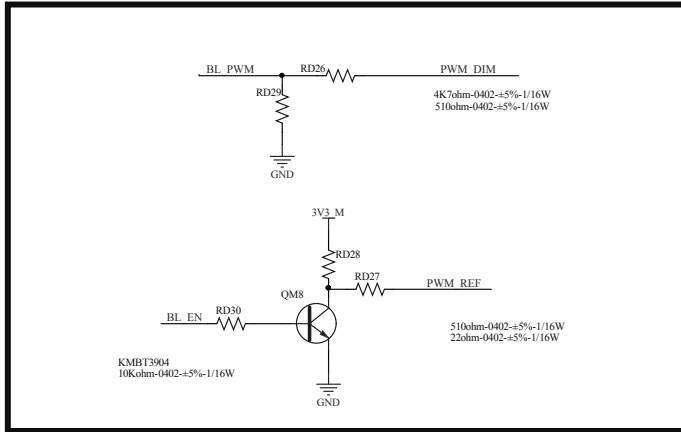
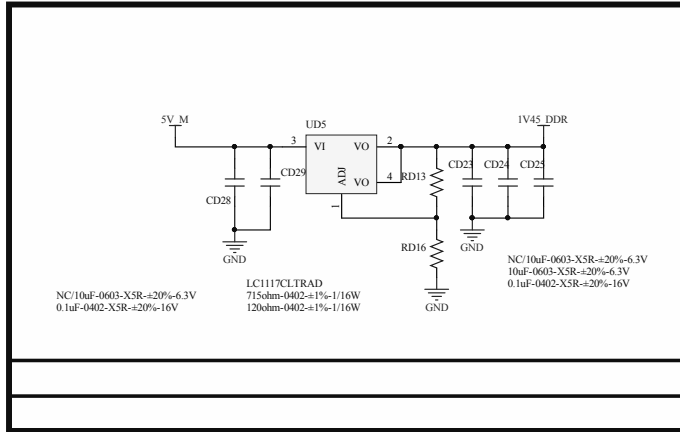
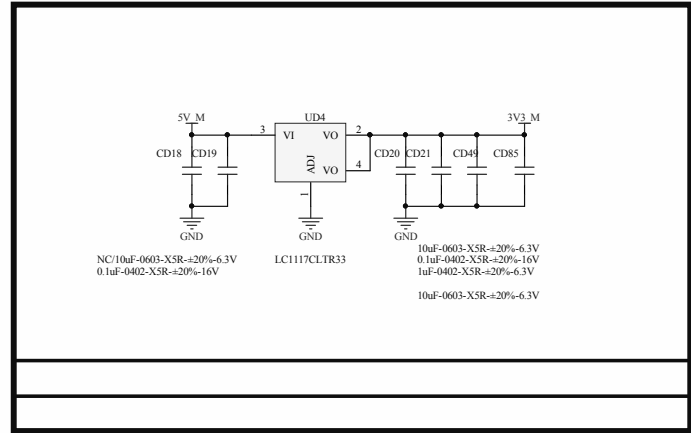
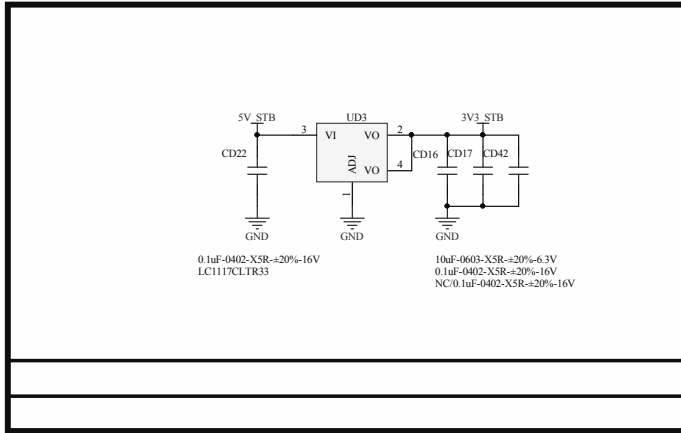
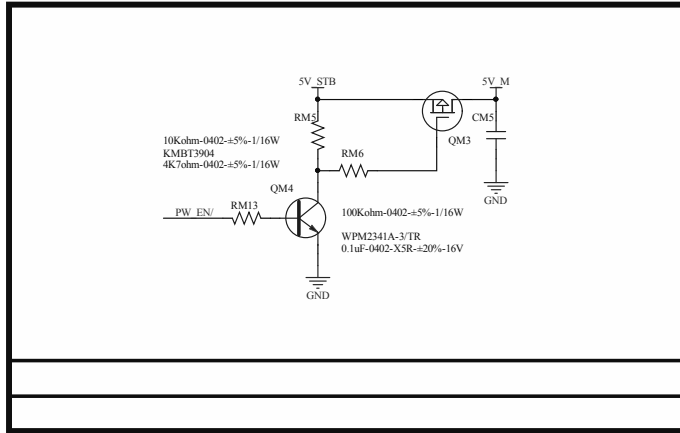
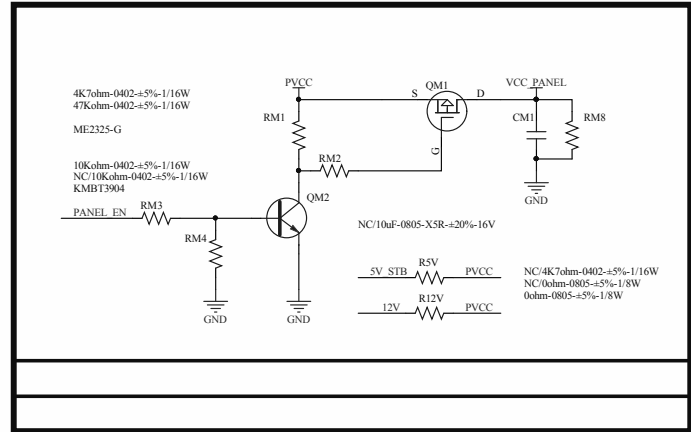
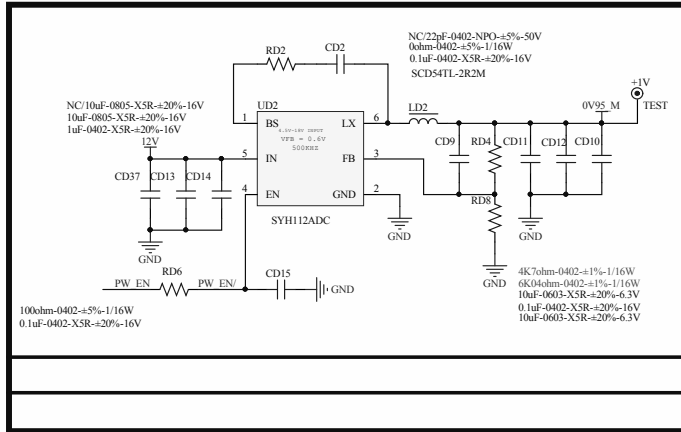
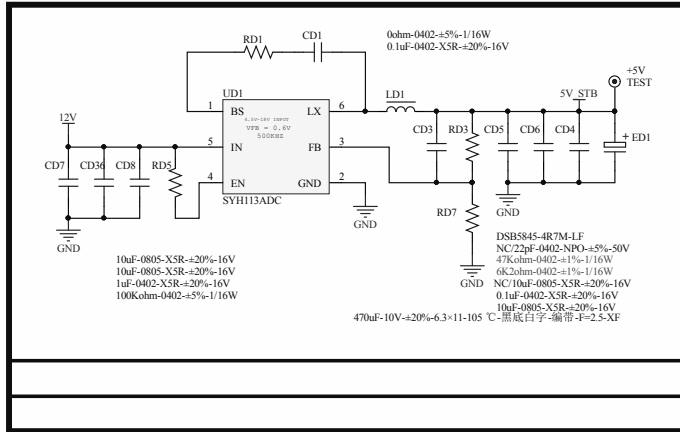
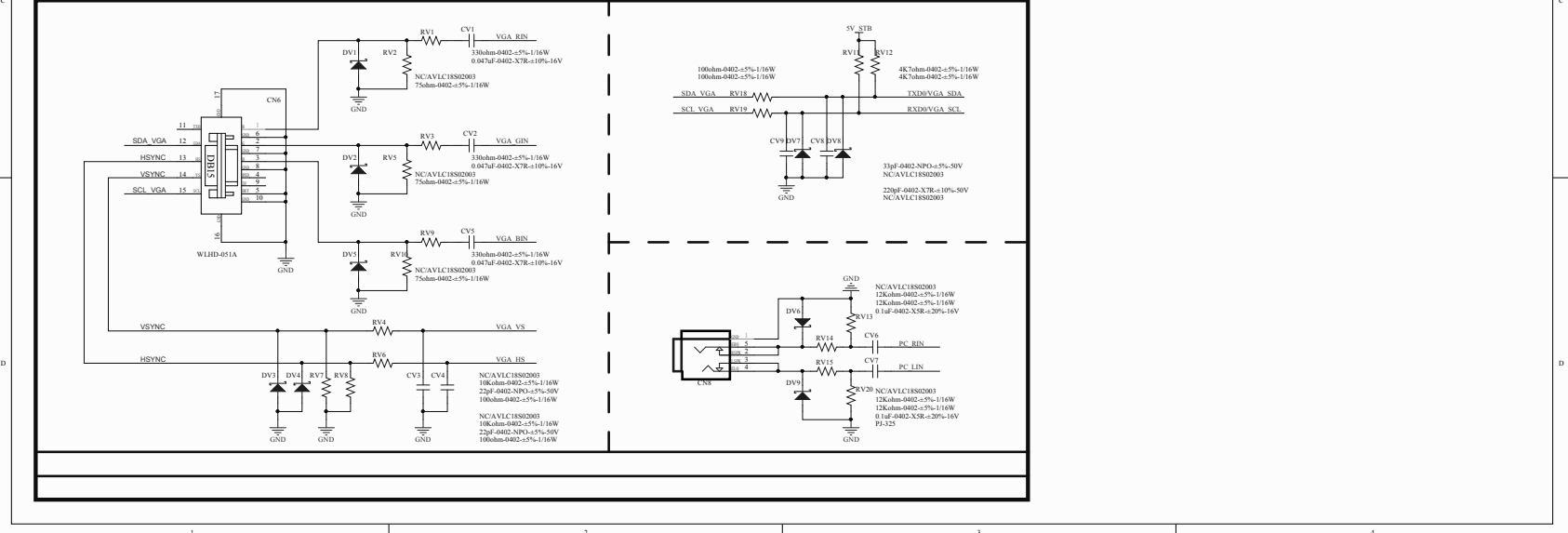
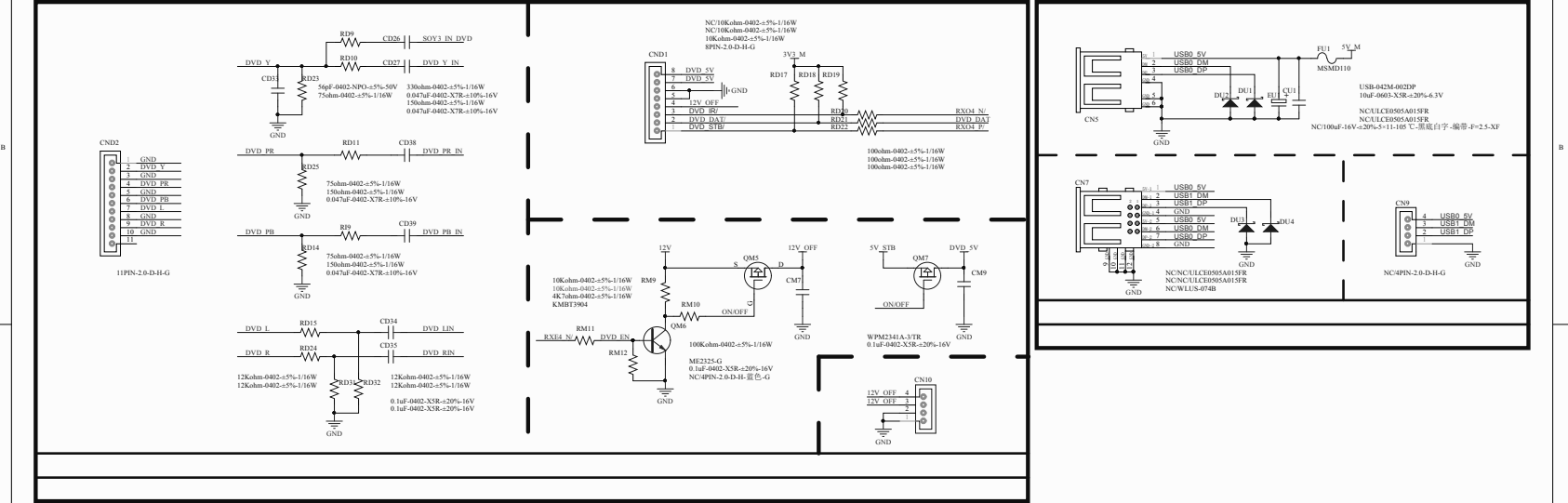
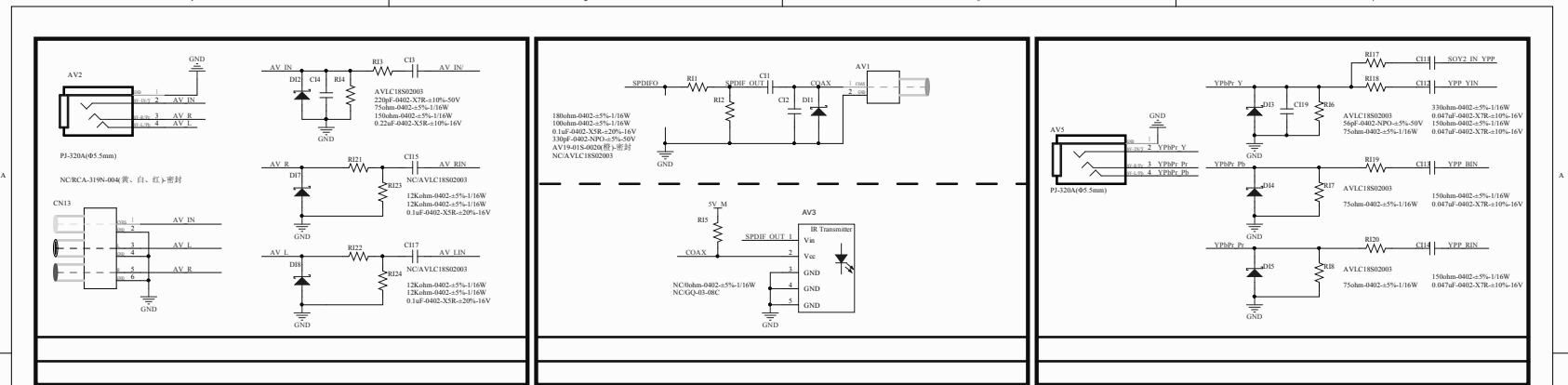


Model Name:	TP5306/PB18	VERSION:	V1.0
DRAWN:	张庆周	DATE:	2015-04-24
CHKD:		DATE:	





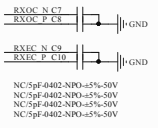


JW1: IC TV M n Ch p, 0208, 3201, 1, Gnd - Gnd, 0P9H, 0M 5D, 3h

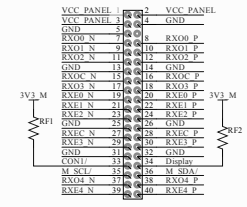
Table of pin connections for the IC, listing pin numbers and their corresponding functions.

Table of pin connections for the IC, listing pin numbers and their corresponding functions.

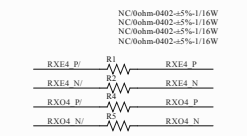
Table of pin connections for the IC, listing pin numbers and their corresponding functions.



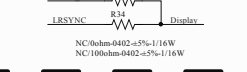
NC56F-0402-NPO-±5%-50V
NC56F-0402-NPO-±5%-50V
NC56F-0402-NPO-±5%-50V
NC56F-0402-NPO-±5%-50V



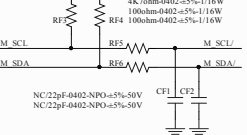
NC100hm-0402-±5%-1/16W
NC100hm-0402-±5%-1/16W
NC100hm-0402-±5%-1/16W
NC100hm-0402-±5%-1/16W



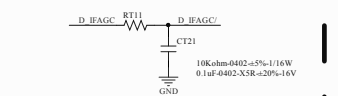
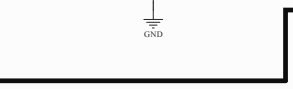
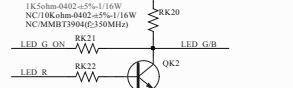
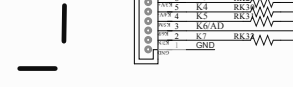
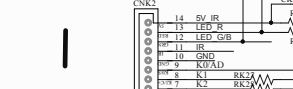
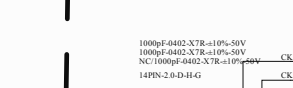
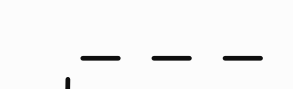
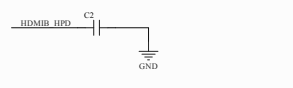
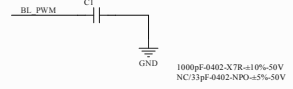
NC100hm-0402-±5%-1/16W
NC100hm-0402-±5%-1/16W
NC100hm-0402-±5%-1/16W
NC100hm-0402-±5%-1/16W



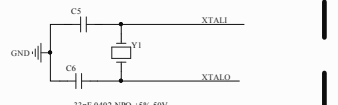
NC100hm-0402-±5%-1/16W
NC100hm-0402-±5%-1/16W



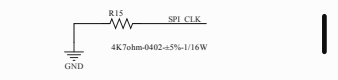
NC122pf-0402-NPO-±5%-50V
NC122pf-0402-NPO-±5%-50V



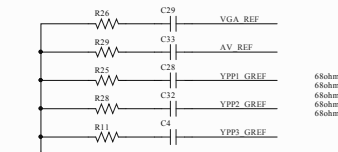
NC510hm-0402-±5%-1/16W
360hm-0402-±1%-1/16W



33pf-0402-NPO-±5%-50V
33pf-0402-NPO-±5%-50V
24.576MHz±30PPM±0.5%CH-49S-SMD-JWT



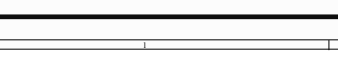
4k70hm-0402-±5%-1/16W



680hm-0402-±5%-1/16W
0.047uf-0402-X7R-±10%-16V
680hm-0402-±5%-1/16W
0.22uf-0402-X5R-±10%-16V
680hm-0402-±5%-1/16W
0.047uf-0402-X7R-±10%-16V
680hm-0402-±5%-1/16W
0.047uf-0402-X7R-±10%-16V
680hm-0402-±5%-1/16W
0.047uf-0402-X7R-±10%-16V



10Kohm-0402-±5%-1/16W
0.1uf-0402-X5R-±20%-16V
NC0.1uf-0402-X5R-±20%-16V
100pf-0402-X7R-±10%-50V



10Kohm-0402-±5%-1/16W
0.1uf-0402-X5R-±20%-16V
NC0.1uf-0402-X5R-±20%-16V
100pf-0402-X7R-±10%-50V



10Kohm-0402-±5%-1/16W
0.1uf-0402-X5R-±20%-16V
NC0.1uf-0402-X5R-±20%-16V
100pf-0402-X7R-±10%-50V

Table with columns for Title, Size, Date, File, Number, and Revision.

1

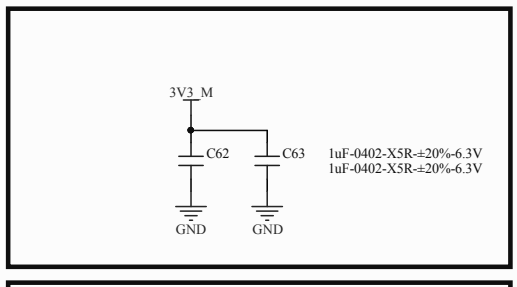
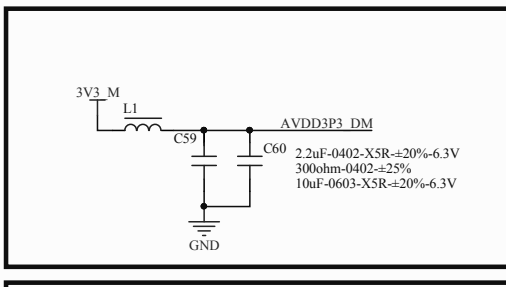
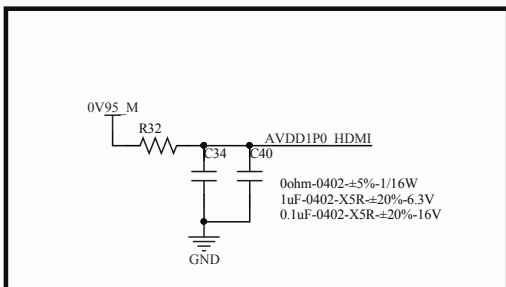
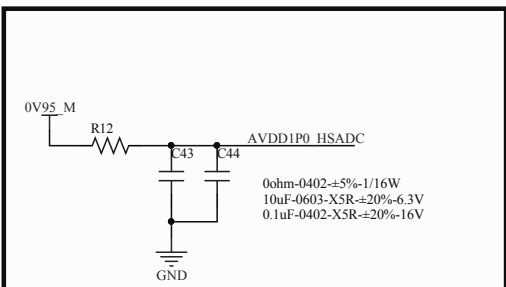
2

3

4

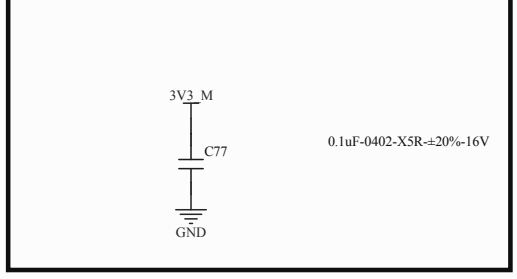
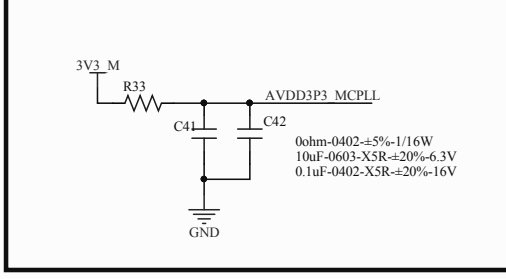
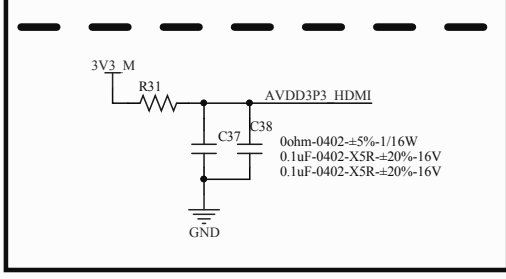
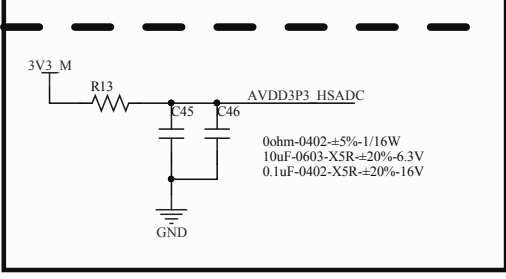
A

A



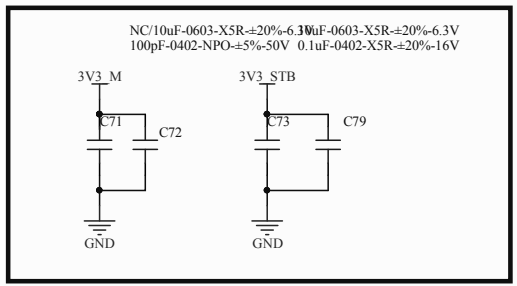
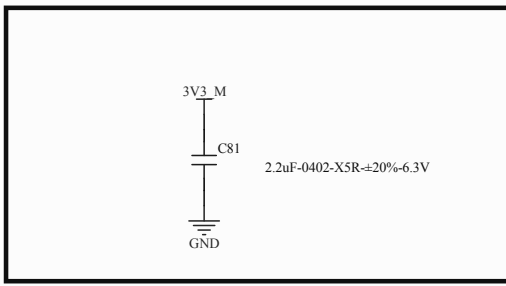
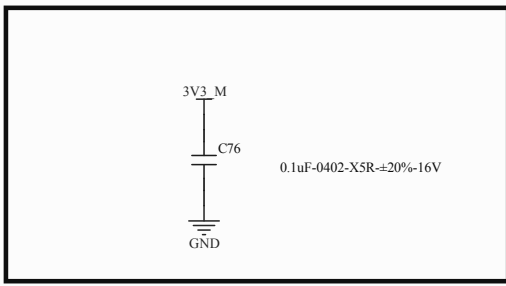
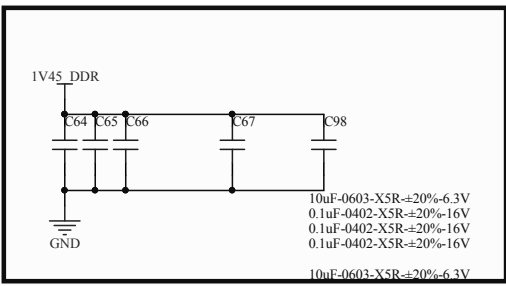
B

B



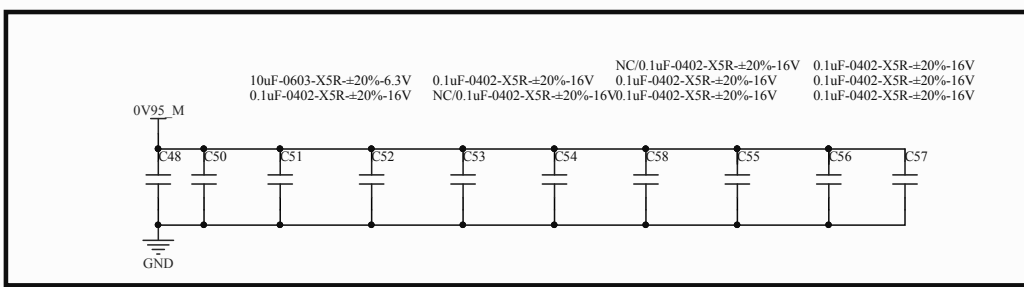
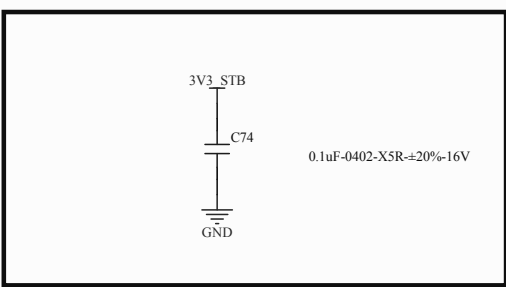
C

C



D

D



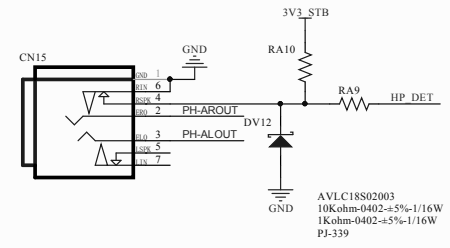
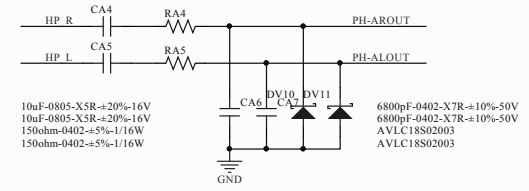
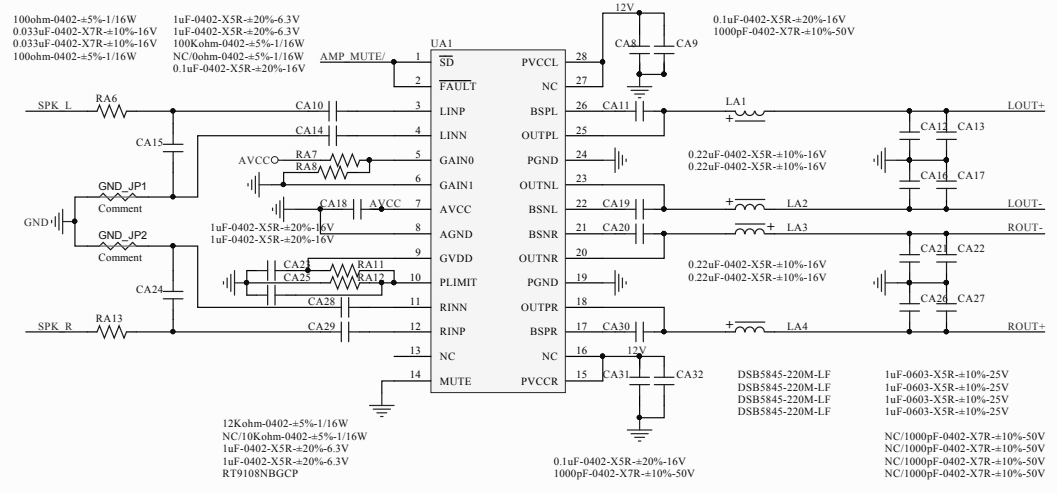
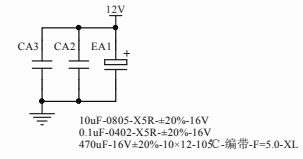
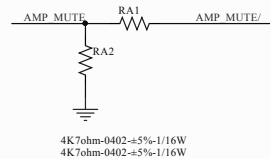
1

2

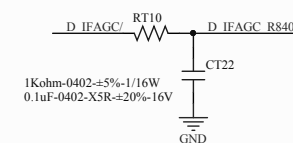
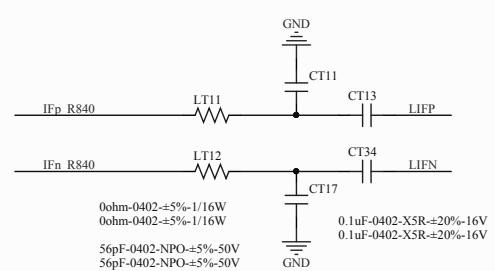
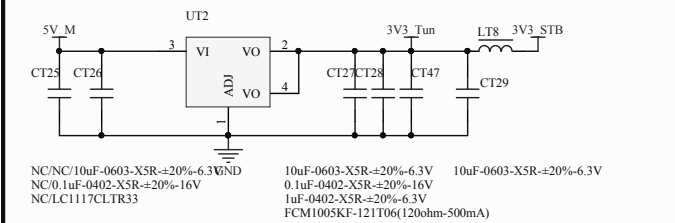
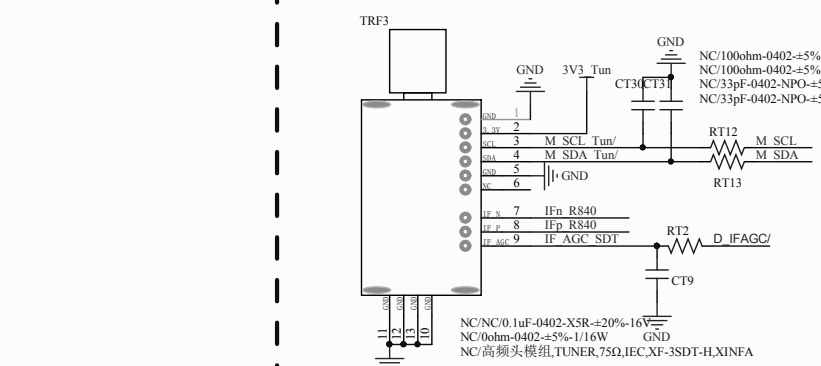
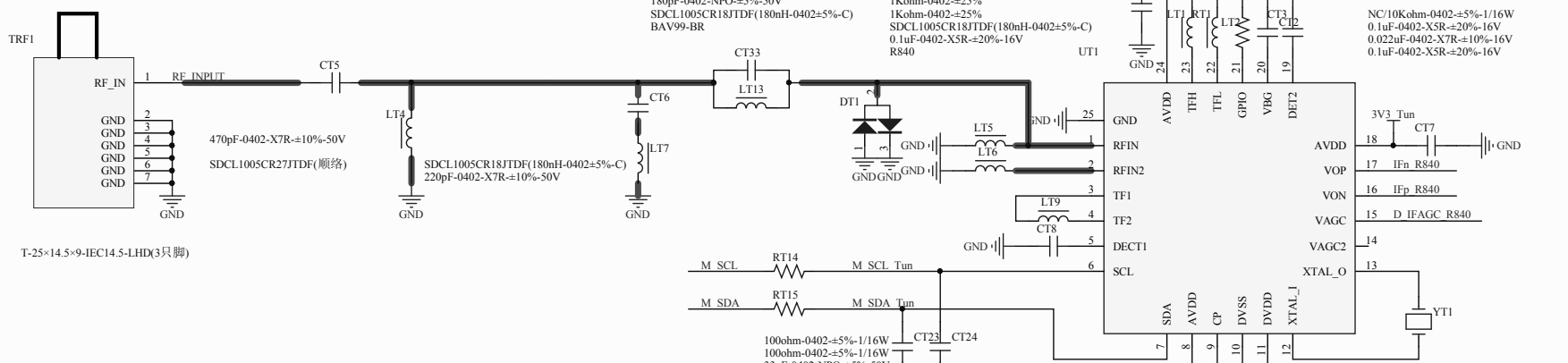
3

4

Title		
Size	Number	Revision
A2		
Date:	2015/5/30	Sheet of
File:	C:\Users\TV\06_S2T506 POWER Sch	Drawn By:



Title		
Size	Number	Revision
A3		
Date:	2015/5/30	Sheet of
File:	C:\Users\... \TV#07_AMP_SchDoc	Drawn By:



- 0.1uF-0402-XSR±20%-16V
- SDCL1005C68NJTDF(68nH-0402±5%-C)
- SDCL1005CR27JTDF(顺络)
- NC/10Kohm-0402±5%-1/16W
- 0.1uF-0402-XSR±20%-16V
- 0.022uF-0402-X7R±10%-16V
- 0.1uF-0402-XSR±20%-16V
- NC/100ohm-0402±5%-1/16W
- NC/100ohm-0402±5%-1/16W
- NC/33pF-0402-NPO±5%-50V
- NC/33pF-0402-NPO±5%-50V
- NC/NC/0.1uF-0402-XSR±20%-16V
- NC/0ohm-0402±5%-1/16W
- NC/高频头模组_TUNER.75Ω.IEC.XF-3SDT-H.XINFA
- 16MHz±20PPM-20PF-HC-49S
- 330pF-0402-NPO±5%-50V
- 1Kohm-0402±5%-1/16W
- 6800pF-0402-X7R±10%-50V

Title		
Size	Number	Revision
A3		
Date:	2015/5/30	Sheet of
File:	C:\Users\TV#08\TV#08_TUNER.SchDoc	Drawn By: