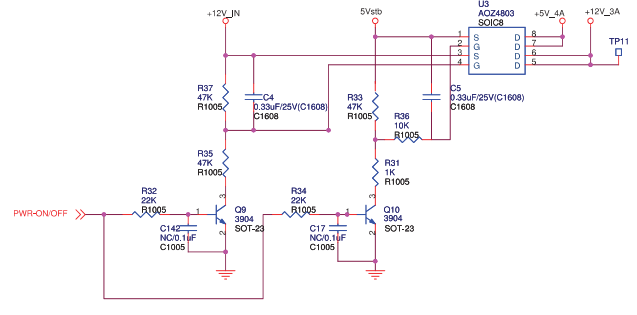
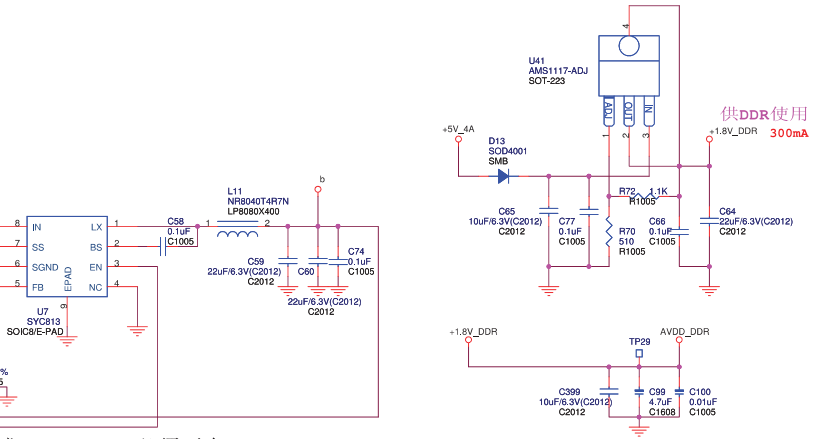
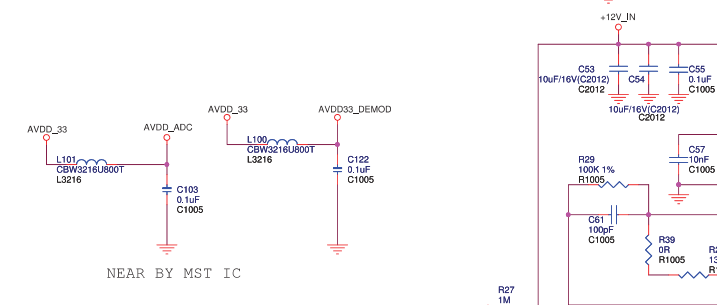
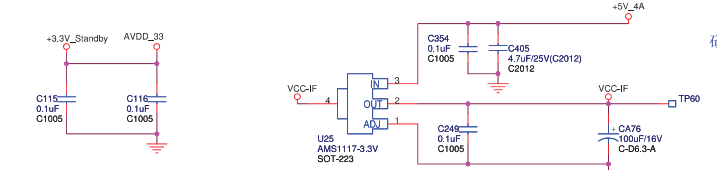
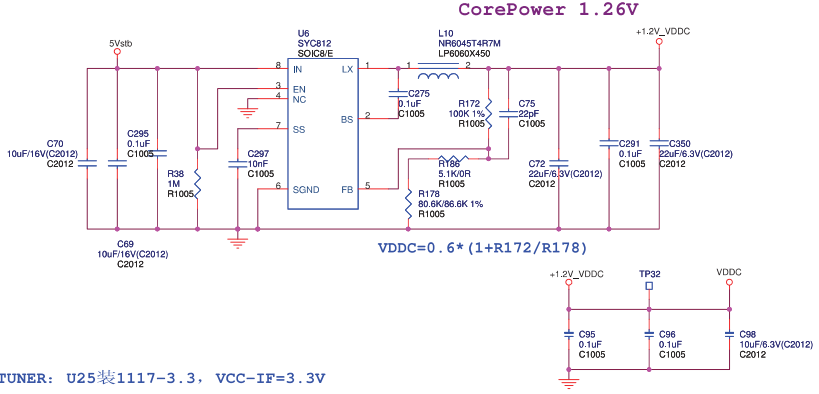
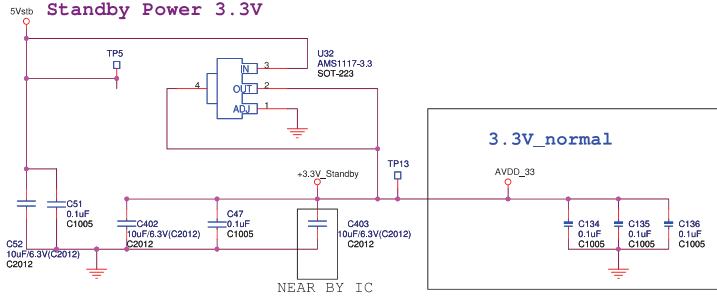


Power CONTROL

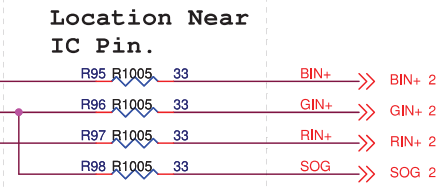
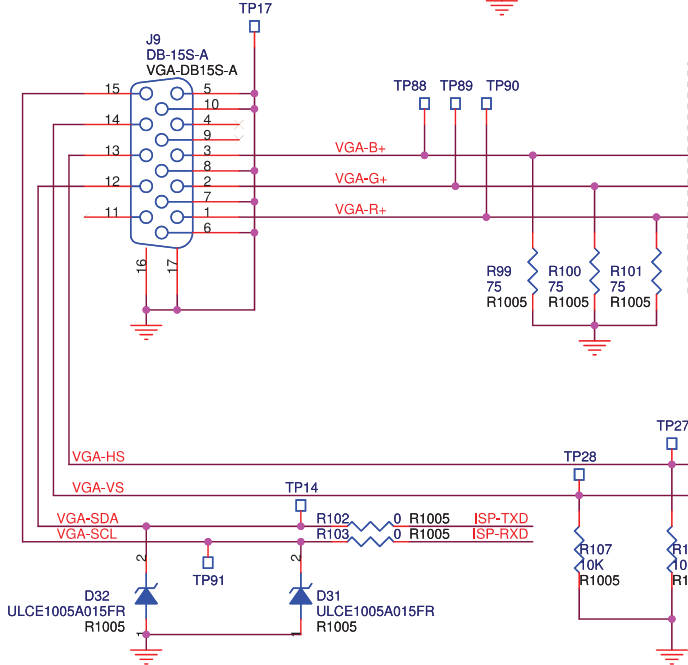
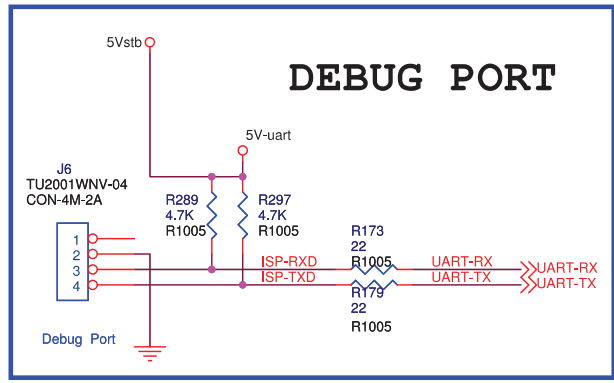
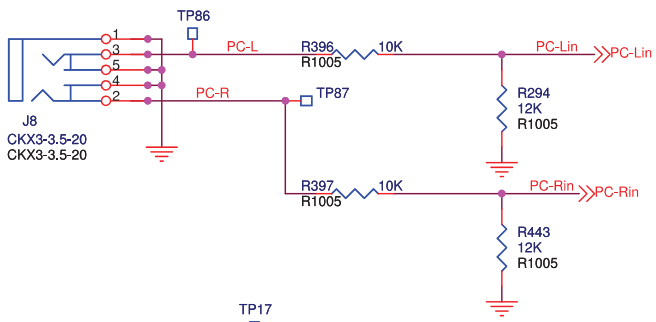


Title			Power Input
Size	Document Number	Rev	
	TSUMW53 for ChangHong LCD	1.0	
Date	Sheet		1 of 9



开机供电时序要求1.26V, 3.3V必须要在
reset falling edge 之前供电。具体的：
1、1.26V及3.3V待机均要提供；
2、1.26V及3.3V 至少比复位信号下降沿早5ms。

Title		System Power
Size	Document Number	TSUMW59 for ChangHong LCD
Date:	Sheet	2 of 9
	Rev	1.0

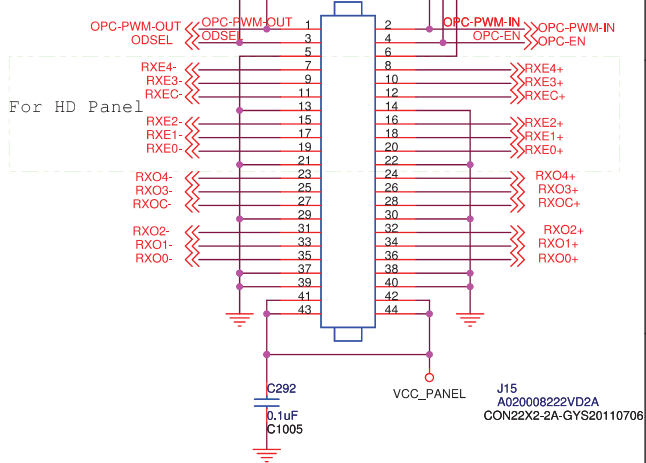
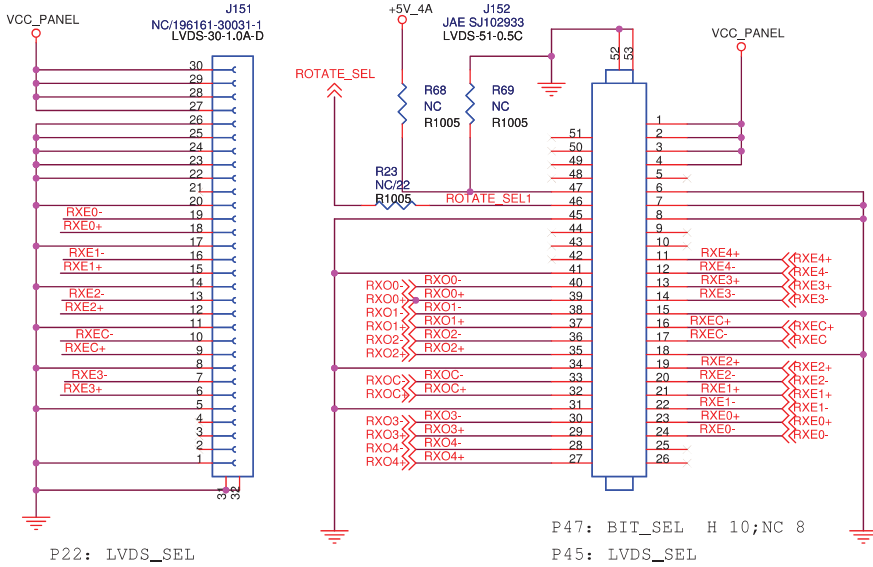
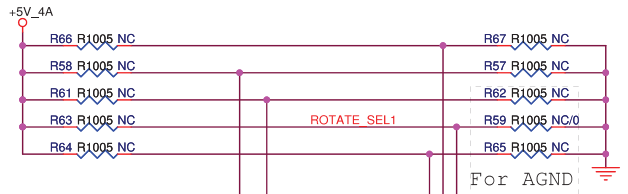
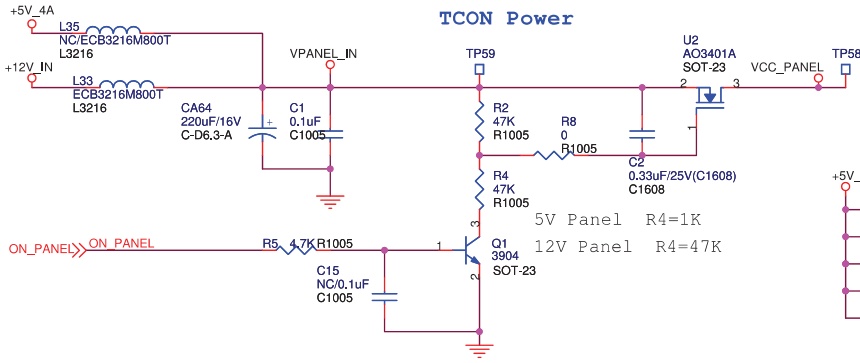


通过VGA进行DEBUG时，需将工装的TX和RX与LS20A的反接。

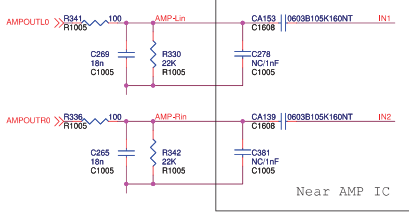
Title		
PC		
Size	Document Number	Rev
	TSUMV59 for ChangHong LCD	1.0
Date:	Sheet	6 of 9

5V TCON供电屏不装L33

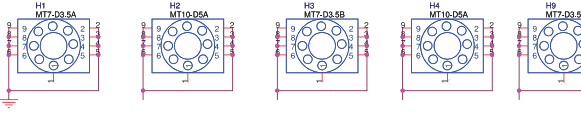
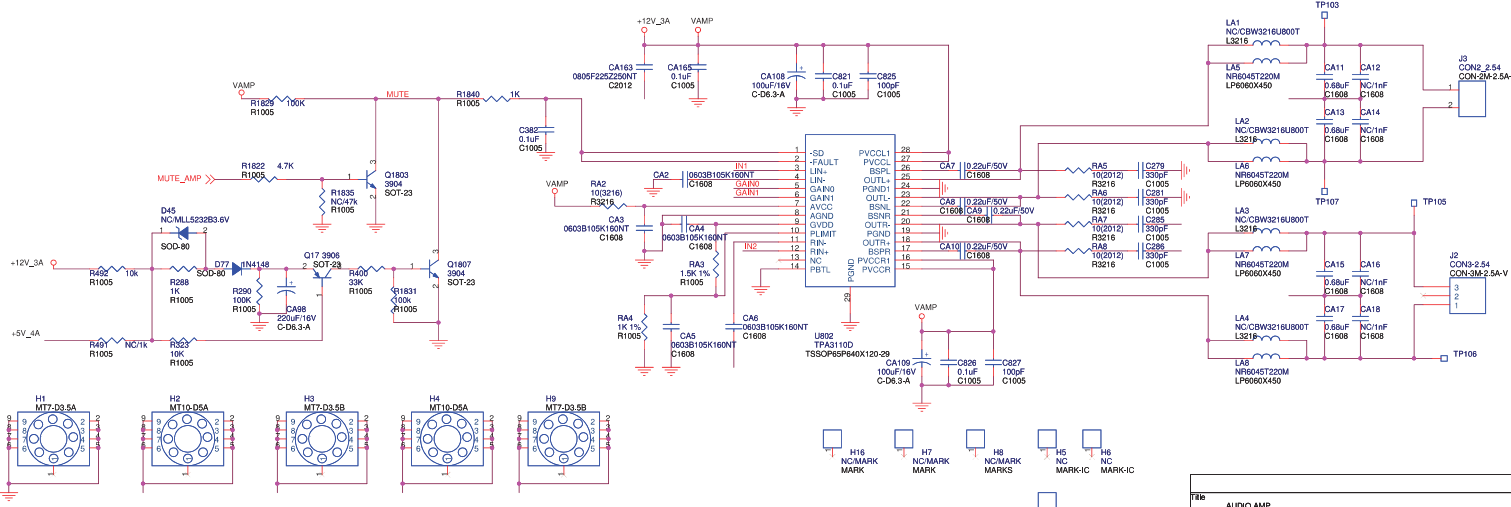
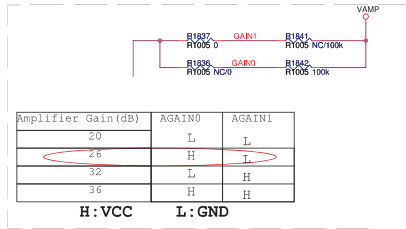
TCON Power



Title	Display	
Size	Document Number TSUMV59 for ChangHong LCD	Rev 1.0
Date:	Sheet 8	of 9



Near AMP IC



File	AUDIO AMP	
Size	Document Number TSMUMVSP for ChangHong LCD	Rev 1.0
Date:	Sheet 9 of 9	