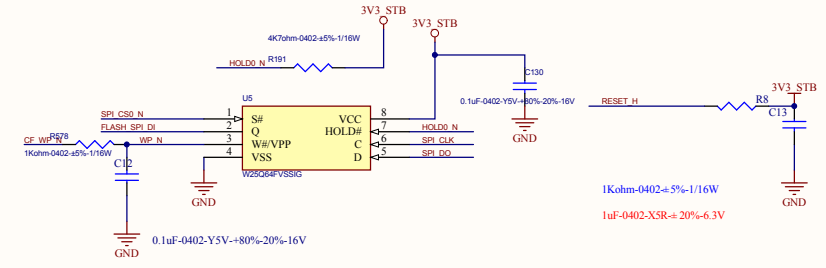
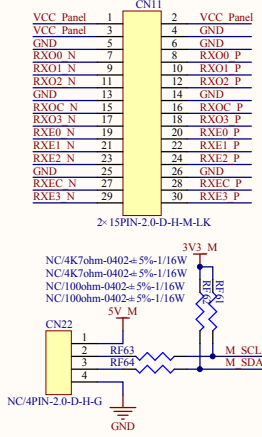


Pin	Signal	Block	Internal Pin	Internal Signal	External Pin	External Signal
B20	XTALI	OSC	OSCI_24M	OSCO_24M	B11	SPI_CLK
A20	XTALO				A11	SPI_DO
D10	RESET_H	MISC	AUX_PWROK	PWREBTN_N	B13	FLASH_SPI_DI
C10					A13	SPI_CS0_N
A21	ENTEST	LVDS	LVDSA_TX0P	LVDSA_TX0N	U21	RXE4_P
B21	ENDEDEBUG				U22	RXE4_N
A10	PWM1		LVDSA_TX1P	LVDSA_TX1N	T21	RXE3_P
C14	LED_G		LVDSA_TX2P	LVDSA_TX2N	T22	RXE3_N
C15	PANEL_EN		LVDSA_TX3P	LVDSA_TX3N	T23	RXEC_P
C11	12V_EN		LVDSA_TX4P	LVDSA_TX4N	R21	RXEC_N
D11			LVDSA_CLKP	LVDSA_CLKN	P21	RXE1_P
D16	AUDIO_CTL		LVDSB_TX0P	LVDSB_TX0N	P22	RXE1_N
C17	AMP_MUTE		LVDSB_TX1P	LVDSB_TX1N	N21	RXE0_P
D17	AMP_STB		LVDSB_TX2P	LVDSB_TX2N	N22	RXE0_N
D19			LVDSB_TX3P	LVDSB_TX3N	R23	RXE2_P
B16	DEBUG0		LVDSB_TX4P	LVDSB_TX4N	R22	RXE2_N
A14	DEBUG1		LVDSB_TX0P	LVDSB_TX0N	N23	RXO4_P
A15	DEBUG2		LVDSB_TX1P	LVDSB_TX1N	M21	RXO4_N
B15	DEBUG3		LVDSB_TX2P	LVDSB_TX2N	M23	RXO3_P
B14	DEBUG4		LVDSB_TX3P	LVDSB_TX3N	M22	RXO3_N
A16	DEBUG5		LVDSB_TX4P	LVDSB_TX4N	L21	RXOC_P
A12	CF_WP_N		LVDSB_TX0P	LVDSB_TX0N	L22	RXOC_N
B12			LVDSB_TX1P	LVDSB_TX1N	K23	RXO1_P
D15	DVD_EN		LVDSB_TX2P	LVDSB_TX2N	J21	RXO1_N
C19			LVDSB_TX3P	LVDSB_TX3N	J23	RXO0_P
D13	GPI023		LVDSB_TX4P	LVDSB_TX4N	J22	RXO0_N
C16			LVDSB_CLKP	LVDSB_CLKN	K21	RXO2_P
C18	PWM/ADJ_EN		LVDSB_CLKP	LVDSB_CLKN	K22	RXO2_N
D14	LED_R/				C20	LRSYNC_MEMC
D18	DVD_IR					
B10	SPI_CS1_N					
C13						
D9	3V3_EN					

Pin	Signal	Block	Internal Pin	Internal Signal	External Pin	External Signal
D5	UARTA_TX	I2C	UM_MS_SCL	UM_MS_SDA	AB9	M_SCL
C5	UARTA_RX				AA9	M_SDA
D6	REMOTE					
C6	POW_EN					
E6	AUMCK_OUT	DDC	HDMI_A_SCL	HDMI_A_SDA	F6	HDMI_A_SCL
D7	HMBA_SV_DET				F5	HDMI_A_SDA
C7	HMBB_SV_DET		HDMI_B_SCL	HDMI_B_SDA	G6	HDMI_B_SCL
B9			HDMI_B_SCL	HDMI_B_SDA	G5	HDMI_B_SDA
C8	Tun_SCL		NC/HDMIC_SCL	NC/HDMIC_SDA	H3	
D8	Tun_SDA		NC/HDMIC_SCL	NC/HDMIC_SDA	G3	
C9	BL_EN		VGA_SCL	VGA_SDA	B17	VGA_SCL
A8	DVD_DAT		VGA_SCL	VGA_SDA	A17	VGA_SDA
B8	DVD_STB					
A9	BL_PWM					

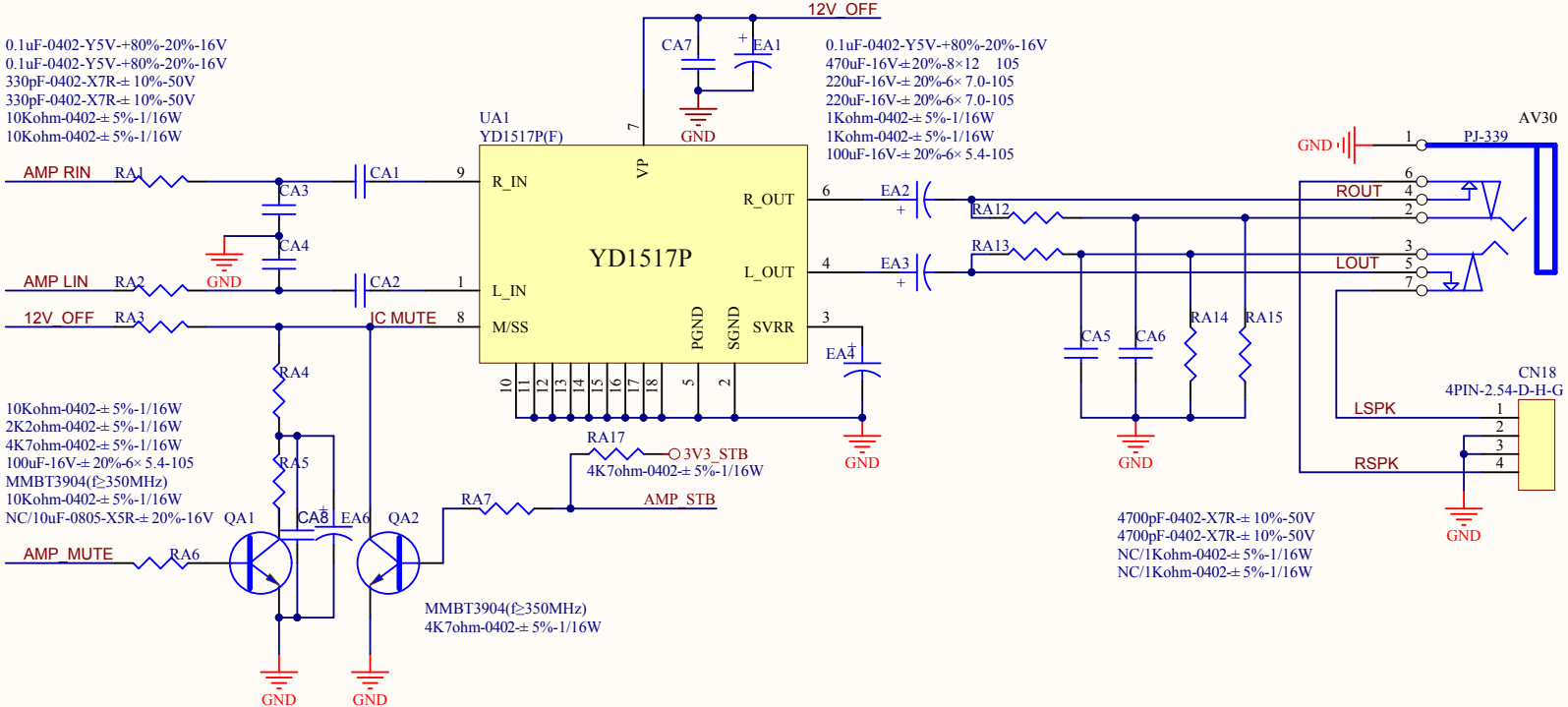


1

2

3

4

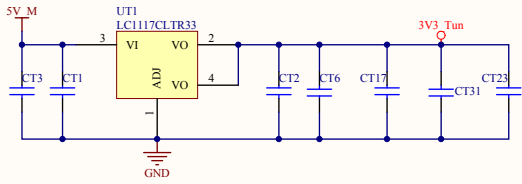


1

2

3

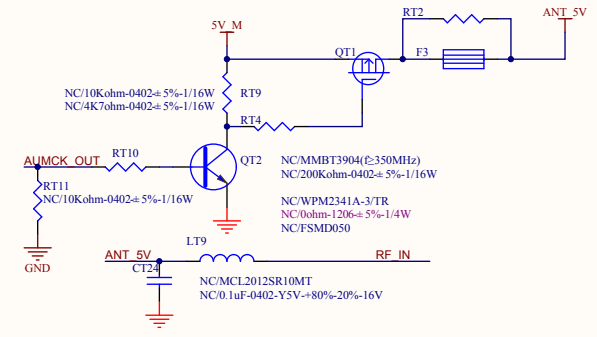
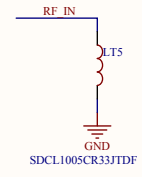
4



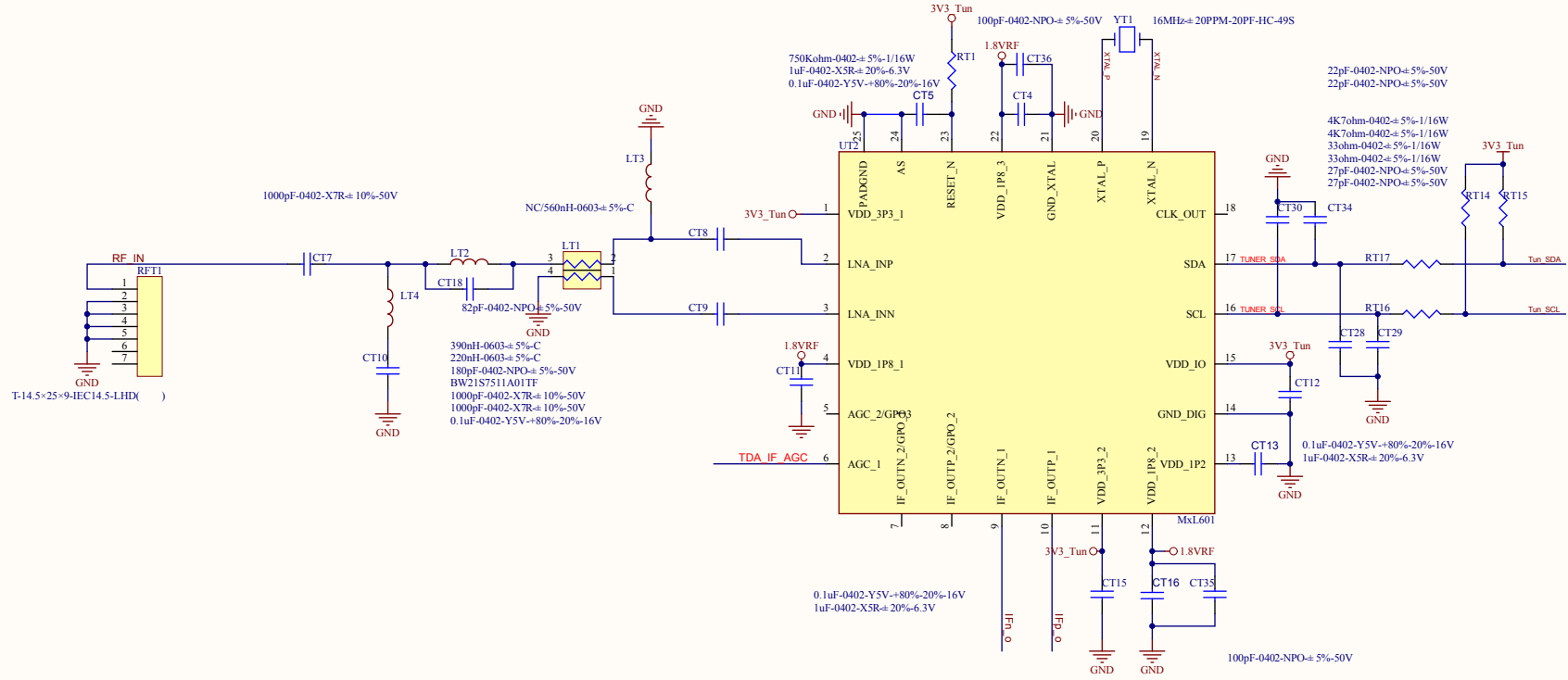
NC/10uF-0603-XSR±20%-6.3V
 0.1uF-0402-Y5V→+80%-20%-16V

10uF-0603-XSR±20%-6.3V
 0.1uF-0402-Y5V→+80%-20%-16V
 10uF-0603-XSR±20%-6.3V

0.1uF-0402-Y5V→+80%-20%-16V
 NC/10uF-0603-XSR±20%-6.3V



NC/MCL2012SR10MT
 NC/0.1uF-0402-Y5V→+80%-20%-16V



1000pF-0402-X7R±10%-50V

NC/560nH-0603±5%-C

T-14.5×25×9-4EC14.5-LHD()

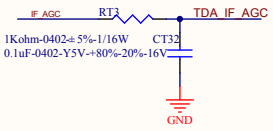
82pF-0402-NPO±5%-50V
 390nH-0603±5%-C
 220nH-0603±5%-C
 180pF-0402-NPO±5%-50V
 BW21S7511A01TF
 1000pF-0402-X7R±10%-50V
 1000pF-0402-X7R±10%-50V
 0.1uF-0402-Y5V→+80%-20%-16V

750Kohm-0402±5%-1/16W
 1uF-0402-XSR±20%-6.3V
 0.1uF-0402-Y5V→+80%-20%-16V

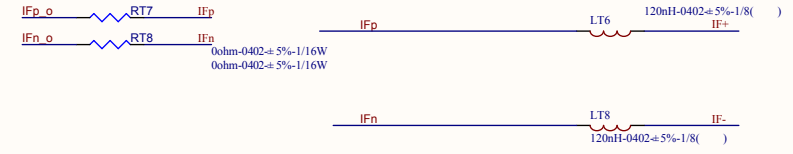
22pF-0402-NPO±5%-50V
 22pF-0402-NPO±5%-50V
 4K7ohm-0402±5%-1/16W
 4K7ohm-0402±5%-1/16W
 33ohm-0402±5%-1/16W
 27pF-0402-NPO±5%-50V
 27pF-0402-NPO±5%-50V

0.1uF-0402-Y5V→+80%-20%-16V
 1uF-0402-XSR±20%-6.3V

100pF-0402-NPO±5%-50V



1Kohm-0402±5%-1/16W
 0.1uF-0402-Y5V→+80%-20%-16V



0ohm-0402±5%-1/16W
 0ohm-0402±5%-1/16W

120nH-0402±5%-1/8()
 120nH-0402±5%-1/8()